



IB RUBINETTI

Collection

BELMONDO

Article

BT392

Description

Three holes washbasin

Box Dimensions

370 x 270 x 80 mm

Weight

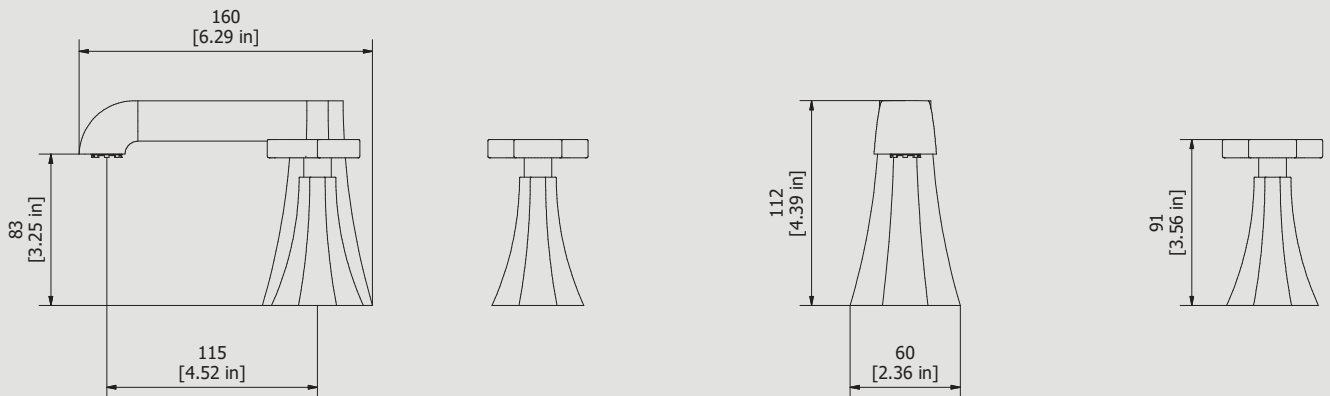
4.3 kg

Finishes

- **CC**
CHROME
- **CF**
BLACK CHROME
- **OO**
GOLD
- **BB**
ANTIQUÉ BRONZE
- **SS**
BRUSHED NICKEL
- **CS**
BRUSHED BLACK CHROME
- **BO**
MATT WHITE
- **ONP**
MATT BLACK
- **IS**
BRUSHED PALE GOLD
- **OS**
BRUSHED GOLD
- **II**
PALE GOLD
- **RR**
ANTIQUÉ COPPER
- **RS**
ROSE GOLD
- **ON**
NATURAL BRASS
- **SR**
BRUSHED ROSE GOLD
- **PL**
PLATINUM



Dimensions



Ceramic headwork

G1/2" ceramic headwork

Threaded fitting

G1/2" male

Aerator

M16.5x1

Flow Rate (+/-10%)

| | | |
|------------------|----------------|----------------|
| 1 BAR | 2 BAR | 3 BAR |
| 3.5 l/min | 4 l/min | 4 l/min |

Production

Main body is a single casted pieces

Material

BRASS
According to CuZn35Pb2AL-B (CB752S)
Max Lead content: 1.36%

IB RUBINETTERIE s.p.a
via dei Pianotti 3/5
25068 Sarezzo (BS) - Italy -

T. +39 030 802101
F. +39 030 803097
info@ibrubinetterie.it

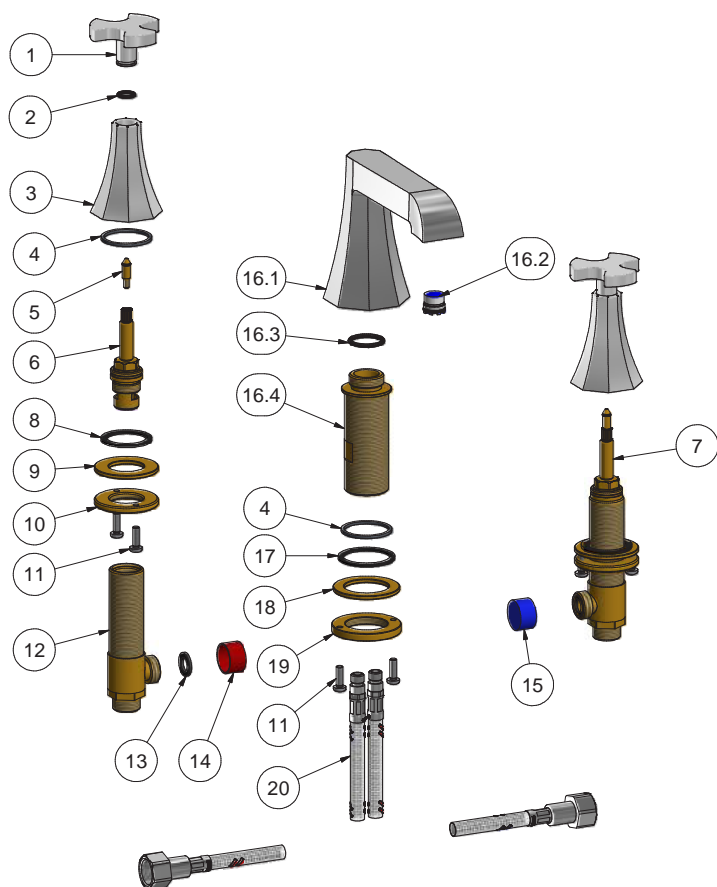
P.IVA 01785230986
capitale sociale
€420.000,00 i.v.

WWW.IBRUBINETTI.IT





IB RUBINETTI



| Elenco parti | | | |
|--------------|--------------|--|----|
| ELEM | CODICE | NUMERO DI MAGAZZINO | QT |
| 1 | CC0002161 | Lever | 2 |
| 2 | AQ0010153 | OR 10x2 NBR 70 SH | 2 |
| 3 | CC0002162 | Octagonal bell H70 | 2 |
| 4 | AQ0010274 | Rubber packing Ø38x33.5x2 | 3 |
| 5 | AQ0010617 | Click connection for headworks | 2 |
| 6 | AQ0010528 | Ceramic headwork 90° DX H38.5 8x20 | 1 |
| 7 | AQ0010529 | Ceramic headwork 90° SX H38.5 8x20 | 1 |
| 8 | AQ0009716 | Rubber packing 38x30x2 | 2 |
| 9 | AS0010697 | Washer Ø48 x Ø26.5 x3 | 2 |
| 10 | AS0010698 | Ring nut W26x19 | 2 |
| 11 | AQ0010358 | Screw M5x16 | 6 |
| 12 | AS0002250 | Washbasin upright W26x19 | 2 |
| 13 | AQ0003080 | Rubber G1/2" | 2 |
| 14 | AQ0015328 | Red plug G1/2" | 1 |
| 15 | AQ0015329 | Blue plug G1/2" | 1 |
| 16 | CP1998CC-I S | Preassembled spout-out | 1 |
| 16.1 | CC0001998 | Spout for basin with perlator | 1 |
| 16.2 | AQ0014147 | Perlator PCA cachè 1 GPM (44.3358.010) | 1 |
| 16.3 | AQ0008088 | OR 22.23x2.62 NBR 70 SH | 1 |
| 16.4 | AS0010660 | Stem M33x1.5 H91 | 1 |
| 17 | AQ0008012 | Plane seal Ø42.5x35.5x2 | 1 |
| 18 | AS0010659 | Brass ring Ø50x35.5x3 | 1 |
| 19 | AS0010658 | Ring nut with screwed holes Ø52 M33x1.5 H6 | 1 |
| 20 | AQ0010273 | Flex M10x1 G1/2" F L400 | 2 |

WARRANTY

All IB Rubinetterie SpA products are warranted for 10 years from the date of purchase, for the following cases:

- Defects of casting, porosity and chrome plating.
- Operating defects caused by incorrect fabrication.

The warranty provides for repair or replacement of products with fabrication defects recognized by our technical office. There is no other type of compensation anche the merchandise must be returned FOB our warehouse. The warranty only cover surface defects (scatches, dings, etc.) on fitting that have not been installed and used, returned in its original packaging with all components. O-ring, gasket seals and components subject to wear proportional to use are warranted for 2 years.

The warranty is void in the following cases:

Error installing and putting the product into service.

Deterioration of finisched surfaces due to use of cleaning products containing acids or abrasive substances. Deterioration of surface with finishes other than chrome plating. Their durability is, in fact, dependent on the user's care and gentleness of use.

Deterioration of the fitting due incorrect installation.

Improper repairs and maintenance performed without the company's prior authorization.

The warranty from IB Rubinetterie SpA is not renewable.

Cleaning

We recommended cleaning the finish surfaces with water and soap, using a soft cloth.

Do not use detergents that cointain hydrochloric acid or abrasive substances.

