

Features

- 4-5/8" non-diverter bath spout with copper slip-fit connection.
- Coordinates with Devonshire faucets, accessories, and showering components to complete your bathroom.

Material

- KOHLER finishes resist corrosion and tarnishing.
- Premium metal construction for durability and reliability.

Installation

- Wall-mount.
- Slip-fit connection.

Recommended Products/Accessories

K-23723 Faucet cleaner



Codes/Standards




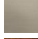

None Applicable

KOHLER® Faucet Lifetime Limited Warranty

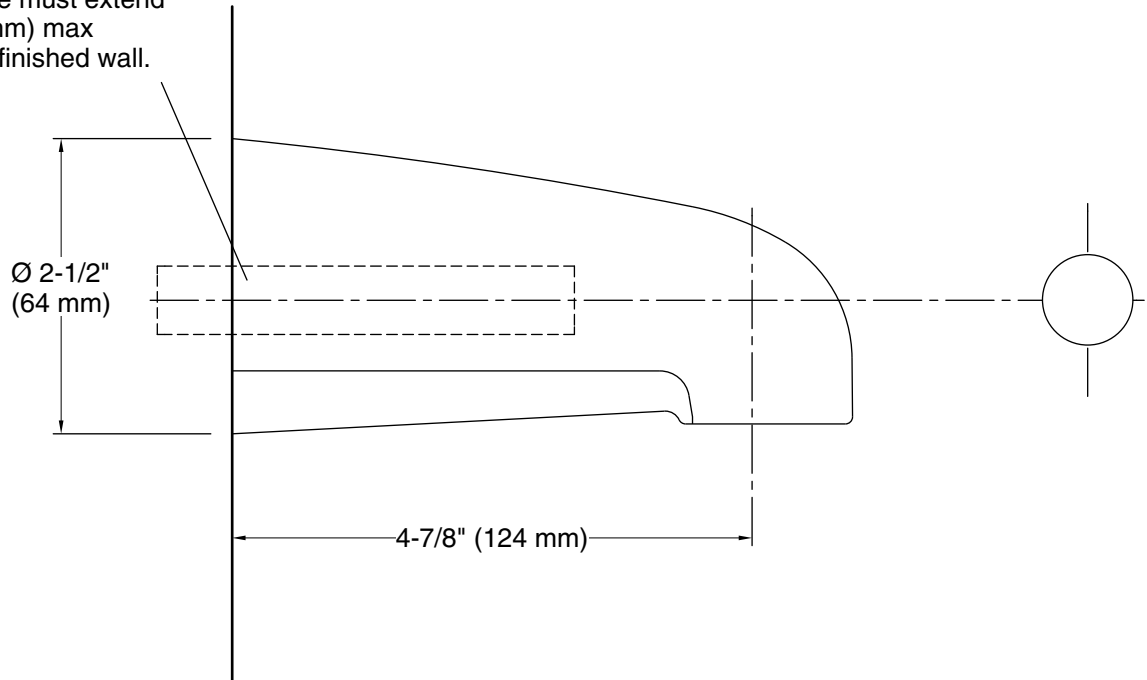
See website for detailed warranty information.

Available Colors/Finishes

Color tiles intended for reference only.

Color	Code	Description
	CP	Polished Chrome
	PB	Vibrant® Polished Brass
	BN	Vibrant® Brushed Nickel
	BV	Vibrant® Brushed Bronze
	2BZ	Oil-Rubbed Bronze

For slip-fit spout:
5/8" OD tube must extend
3-1/4" (83 mm) max
beyond the finished wall.



Technical Information

All product dimensions are nominal.

Notes

Install this product according to the installation guide.