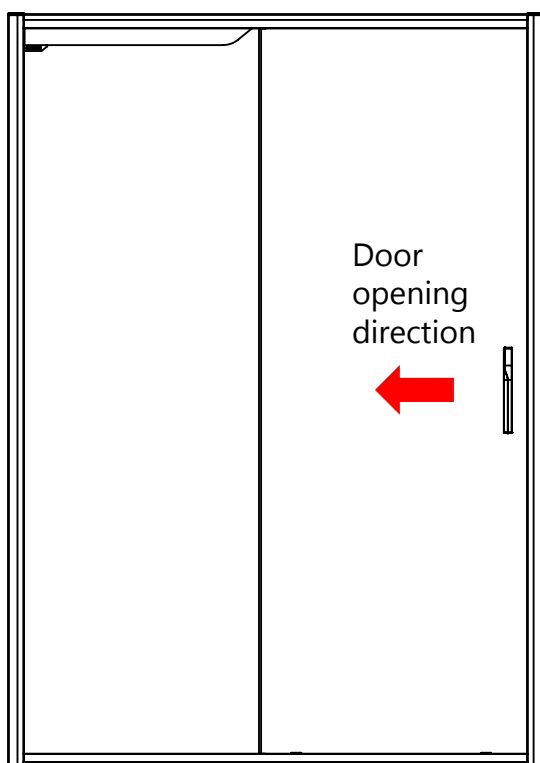
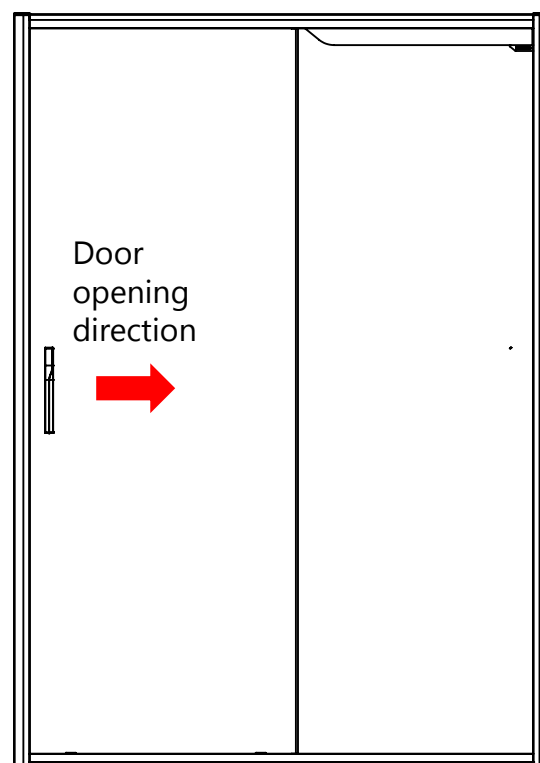


## Installation Guide Reversible Sliding door in recess

Left hand



Right hand



**IMPORTANT:**  
**Please read the complete instructions  
before commencing fitting.**

Make sure the tray is 100% level in all directions.

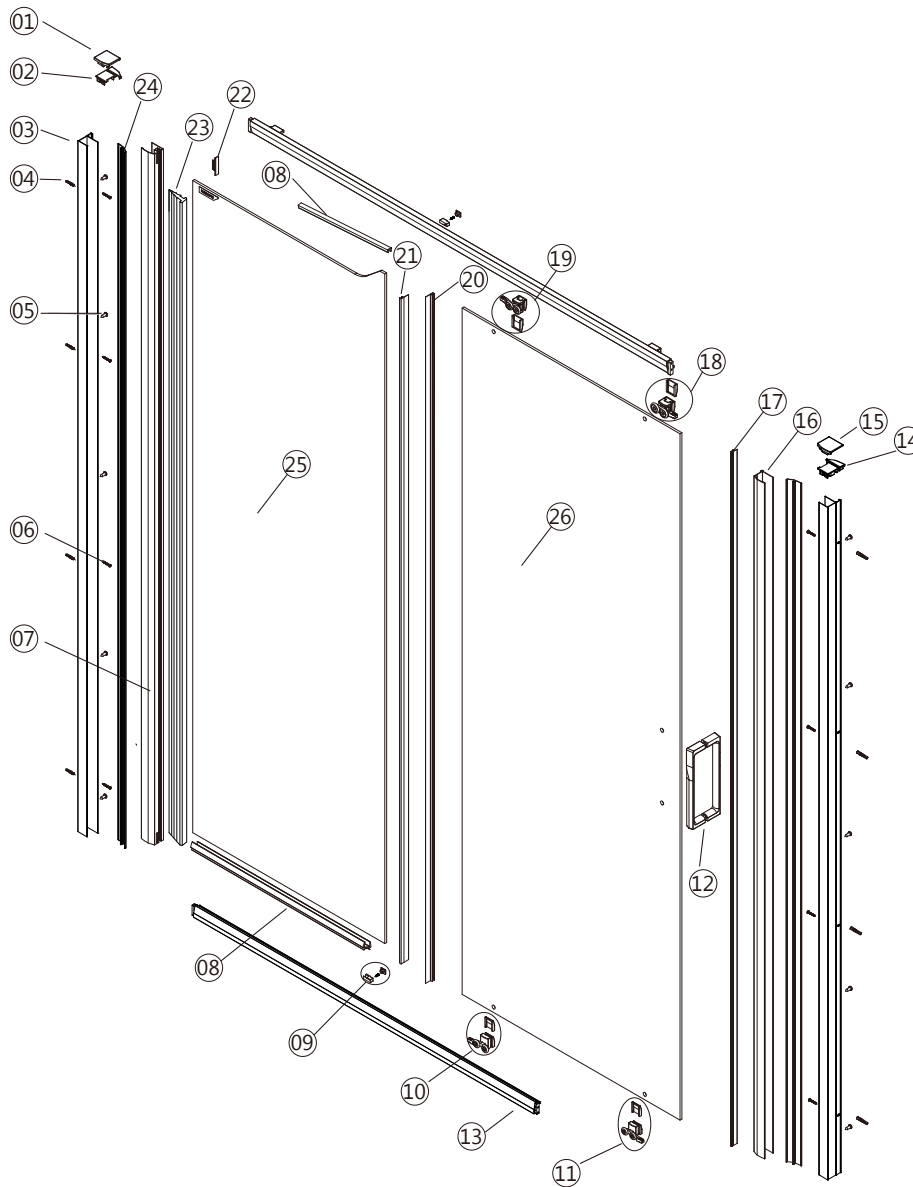
Do Not attempt to install the product unless you can tick all 4 boxes satisfactory.

- **Check that you have the tools required**
- **Check the installation site is compatible with the sizes of door supplied**
- **Check all the enclosure components are present**
- **Check the installation kit is complete**

The wall plugs supplied with the installation kit are for use in solid walls. Hollow or 'stud partition' walls will require alternative fixings. Please consult a hardware supplier for the correct type.

It may also be necessary to consult your tiling supplier about the correct method for drilling tiles.

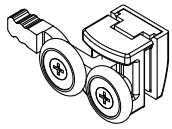
**ATTENTION: TAKE EXTREME CARE WHEN HANDLING GLASS, WEAR PROTECTIVE EYEWEAR AND CLOTHING. DO NOT LEAVE THE GLASS ON HARD SURFACES AND AVOID CONTACT BETWEEN THE GLASS EDGES AND HARD SURFACES OR IMPACTS DURING THE INSTALLATION.**



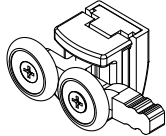
No.	QTY	Description	Code	No.	QTY	Description	Code
01	1	Top cap for adjusting profile, left	A6UPPCAPL	14	1	Top cap for wall profile, right	A6WPCAPR
02	1	Top cap for wall profile, left	A6WPCAPL	15	1	Top cap for adjusting profile, right	A6UPPCAPR
03	2	Wall profile	A6STDWP	16	1	Magnetic profile	A6MAGP
04	8	Wall plug	A6WPLUG	17	1	Closing seal for standard slider	A6SLRECS
05	10	Frame fixing screw	A64X8FRA	18	1	Sliding door roller, Top right	A6SLROLTR
06	8	Pan head wall screw	A6WSCRW	19	1	Sliding door roller, Top left	A6SLROLTL
07	1	Standard Adjusting profile	A6STDUPP	20	1	Upright water seal 13mm for slider moving	ARSLUPSF
08	1	U shape bottom seal	A6SLFIXPS	21	1	Upright water seal 13mm for slider fixed	ARSLUPSM
09	2	Complete glass clip	A6GCLIP	22	1	Profile filler piece	A6PROFILL
10	1	Sliding door roller, Bottom left	A6SLROLBL	23	1	Wedge gasket	A6WEDGE
11	1	Sliding door roller, Bottom right	A6SLROLBR	24	2	Cover strip	A6STDACS
12	1	Handle	A6HANDLE	25	1	Fixed door	
13	2	Framed Recess slider Top/bottom rail	A6SLTBP*	26	1	Moving door	

\* Please note that the top and bottom profile code will change depending on enclosure size. For example- 1200mm= A612SLTBP

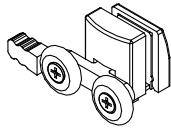
# Fixing Kit Components



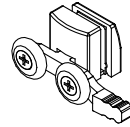
A6SLROLTL  
x1



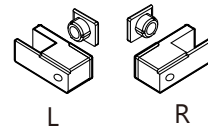
A6SLROLTR  
x1



A6SLROLBL  
x1



A6SLROLBR  
x1



A6GCLIP  
x2



ST3.5\*8  
x2



A6UPPCAPL  
x1



A6UPPCAPR  
x1



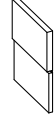
A6WPCAPL  
x1



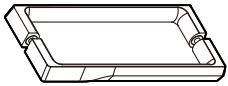
A6WPCAPR  
x1



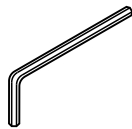
AR6SPACER1  
1&1.5mm  
x1



AR6SPACER2  
2&3mm  
x1



A6HANDLE  
x1



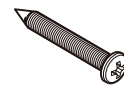
2.5mm  
x1



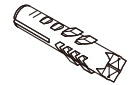
Ø3  
x1



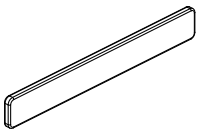
A64X8FRA  
ST4\*8  
x10



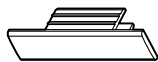
A6WSCRW  
ST4\*30  
x8



A6WPLUG  
Ø6  
x8

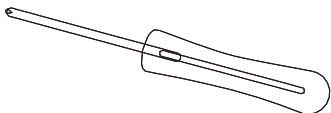
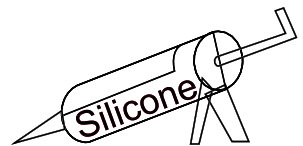
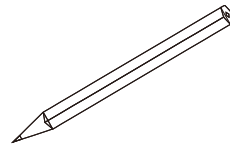
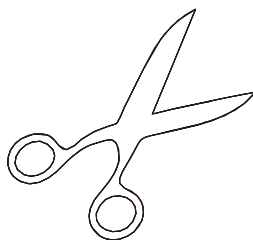
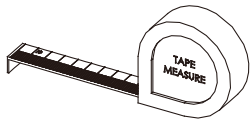


x1

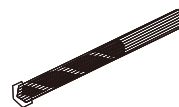
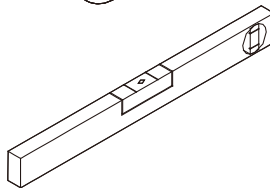


A6PROFILL  
x1

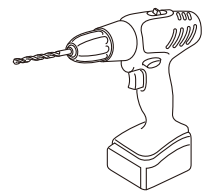
## Tools required



Philips



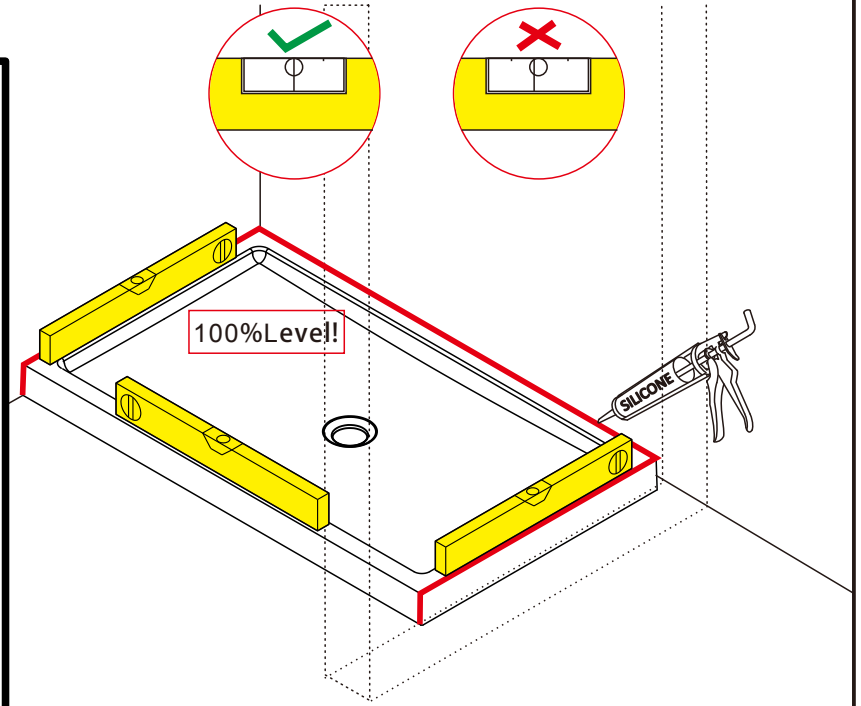
Ø6



1

Ensure the shower tray is level in all directions and is properly sealed to the wall. The wall must be tiled down to the top edge of the tray. Do not angle out bottom tile.

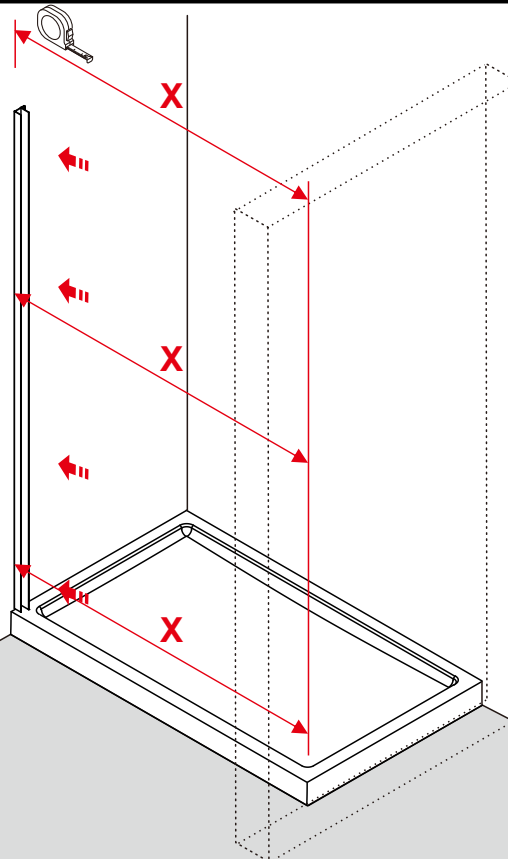
TRAY MUST BE LEVEL IN ALL DIRECTIONS!  
 TRAY MUST BE SEALED FULLY IN ALL AREAS WHERE THE TRAY MEETS THE WALL.



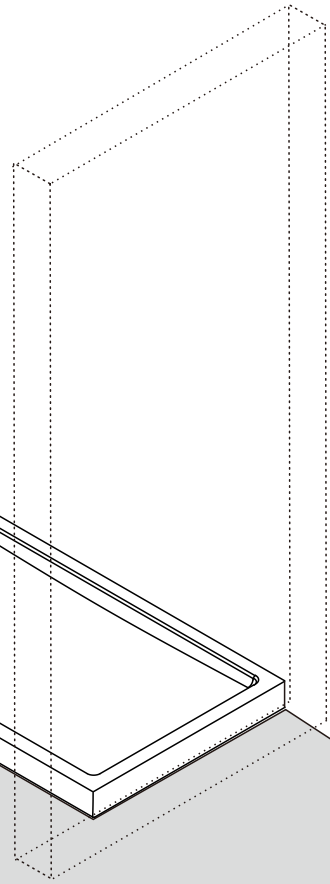
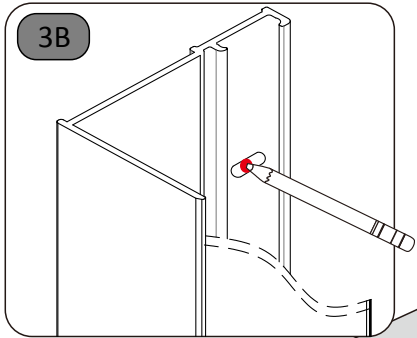
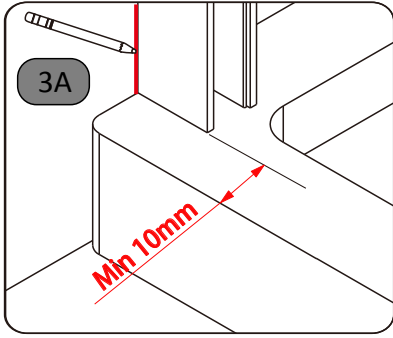
2

**Note:** This is a Reversible product but is shown in left hand configuration for illustration purposes.

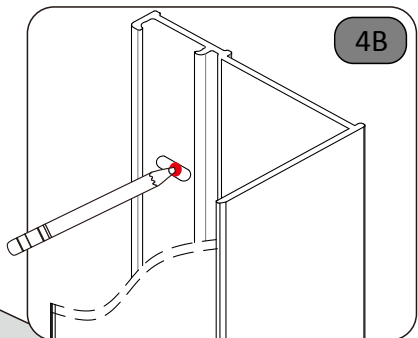
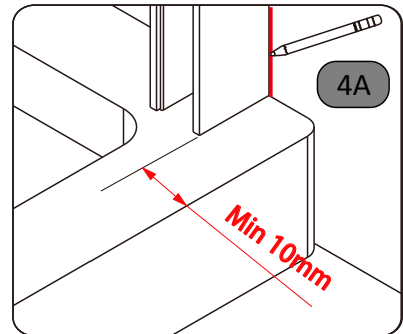
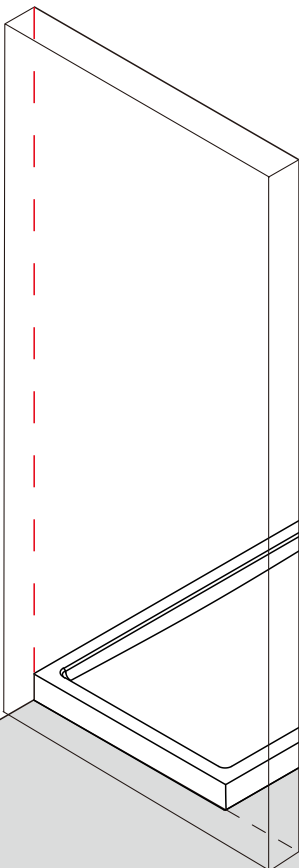
Size	X
1000	940-990
1100	1040-1090
1200	1140-1190
1300	1240-1290
1400	1340-1390
1500	1440-1490
1600	1540-1590
1700	1640-1690
1800	1740-1790



3

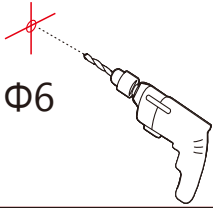


4

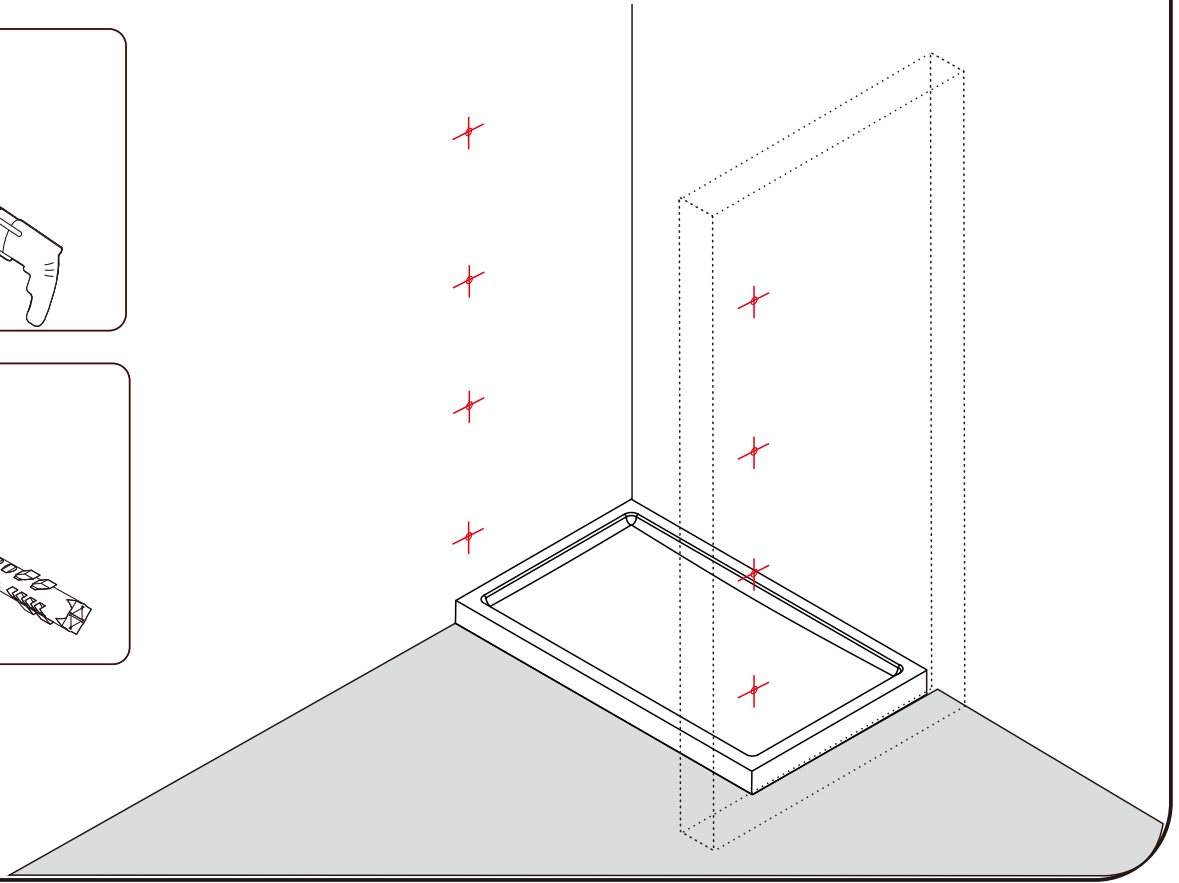
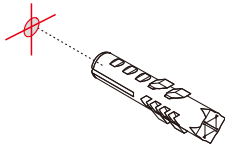


5

5A

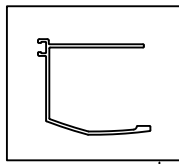
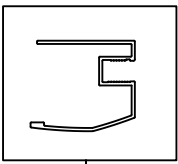


5B



6

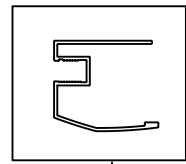
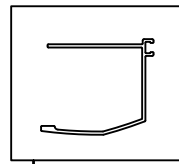
**Left hand**



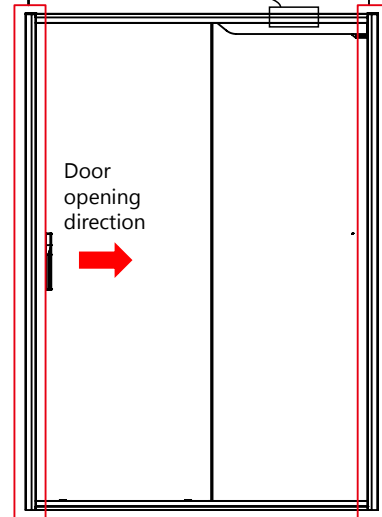
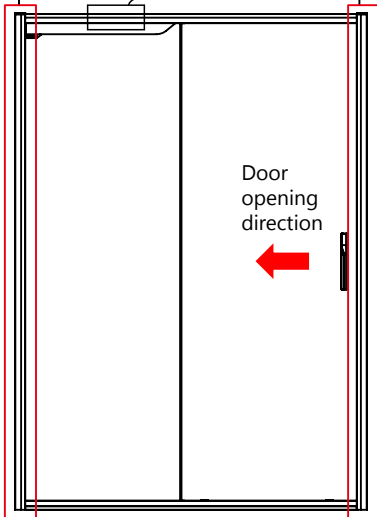
**Note:**

This product is reversible. Make sure handing is correct before next step. Please note the label on the top and bottom profiles for orientation.

**Right hand**

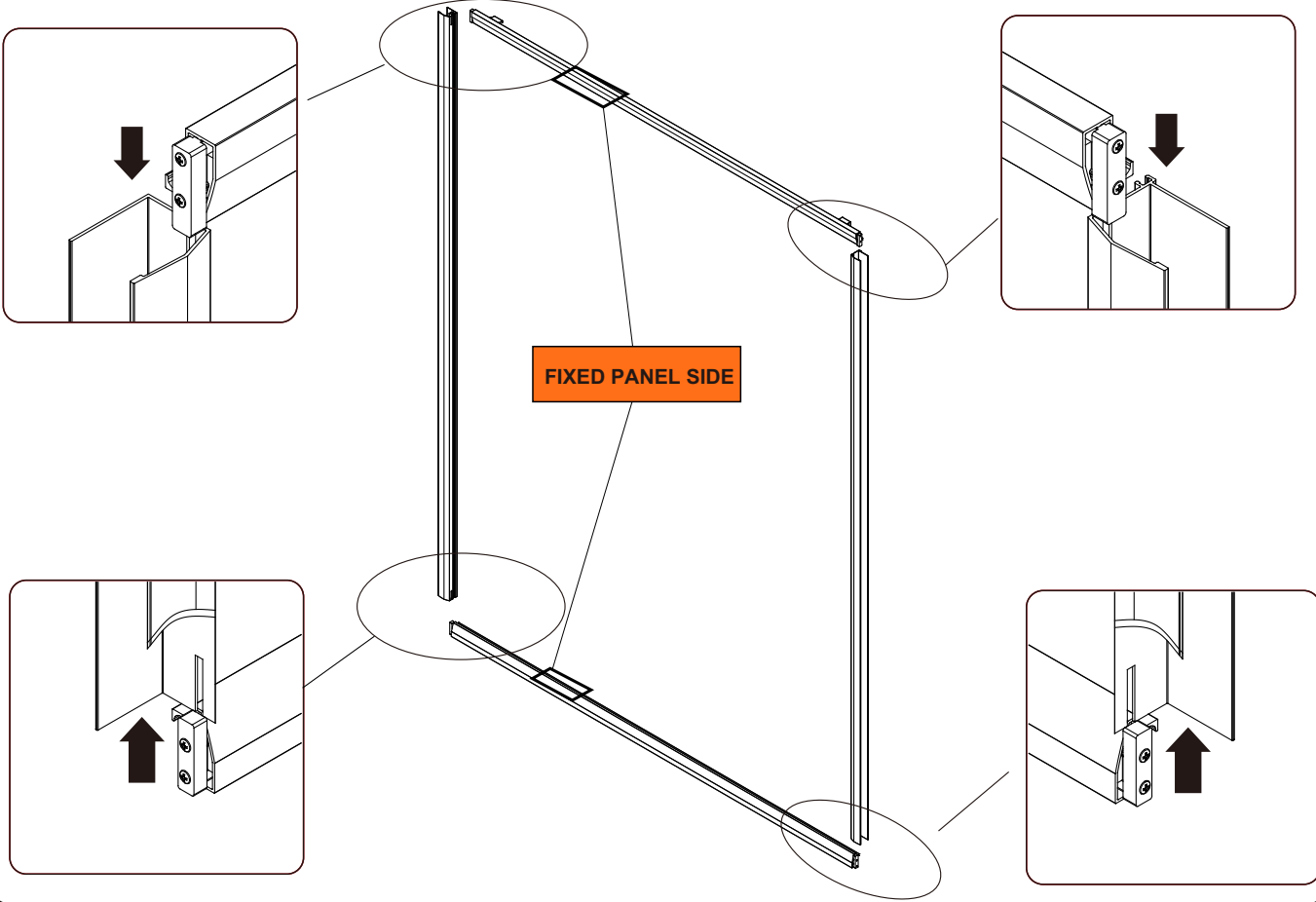


**FIXED PANEL SIDE**

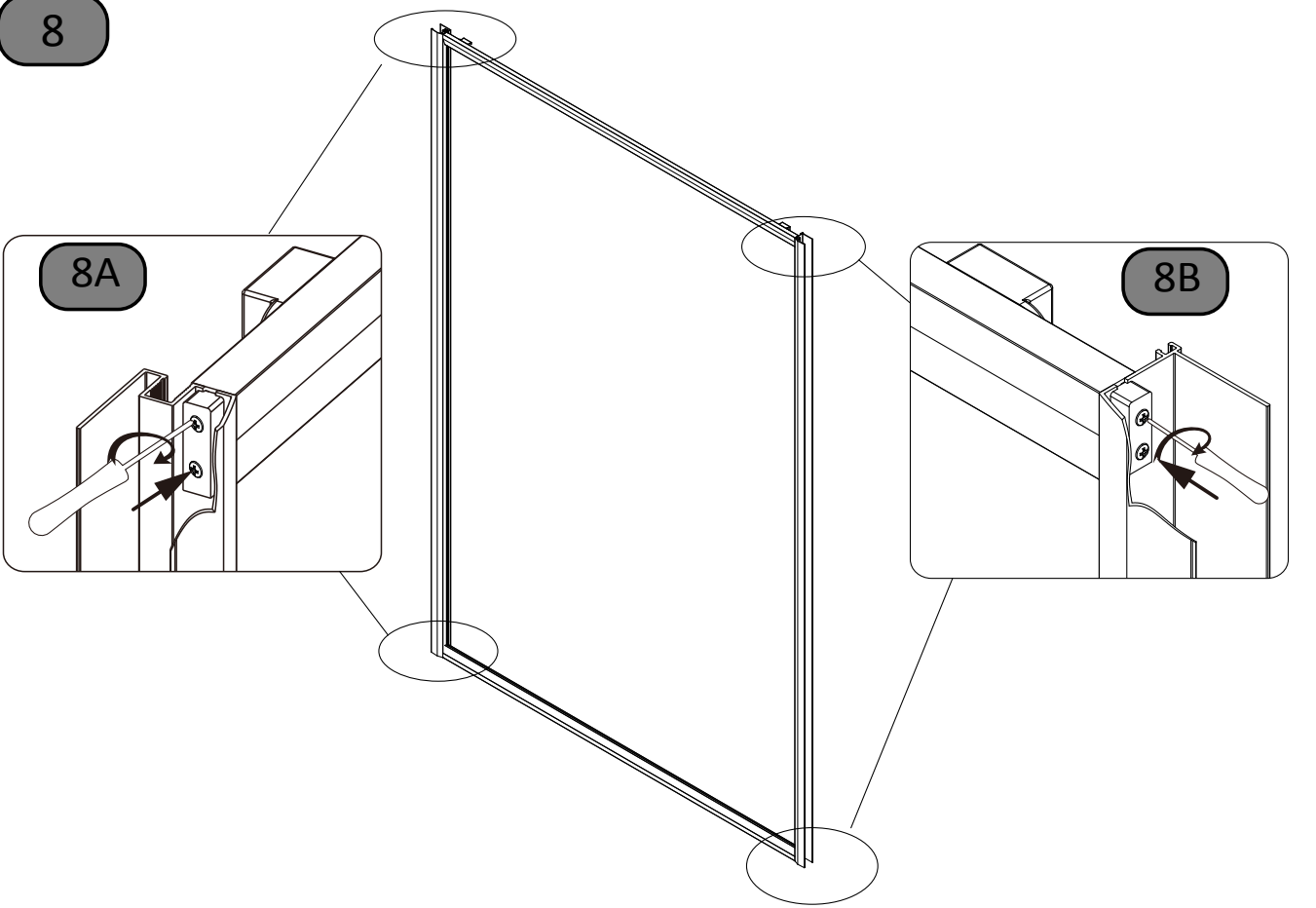


7

Please note it may be easier to construct the frame while it is laying on the ground.



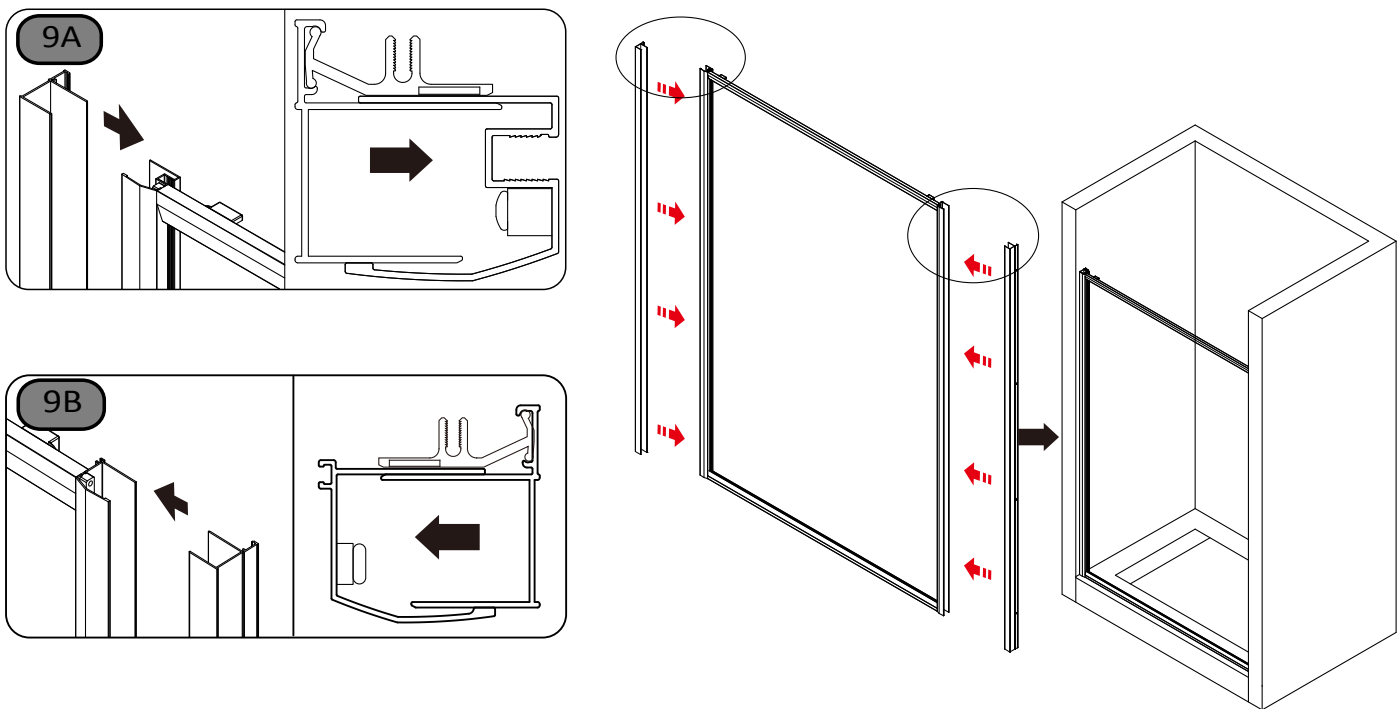
8



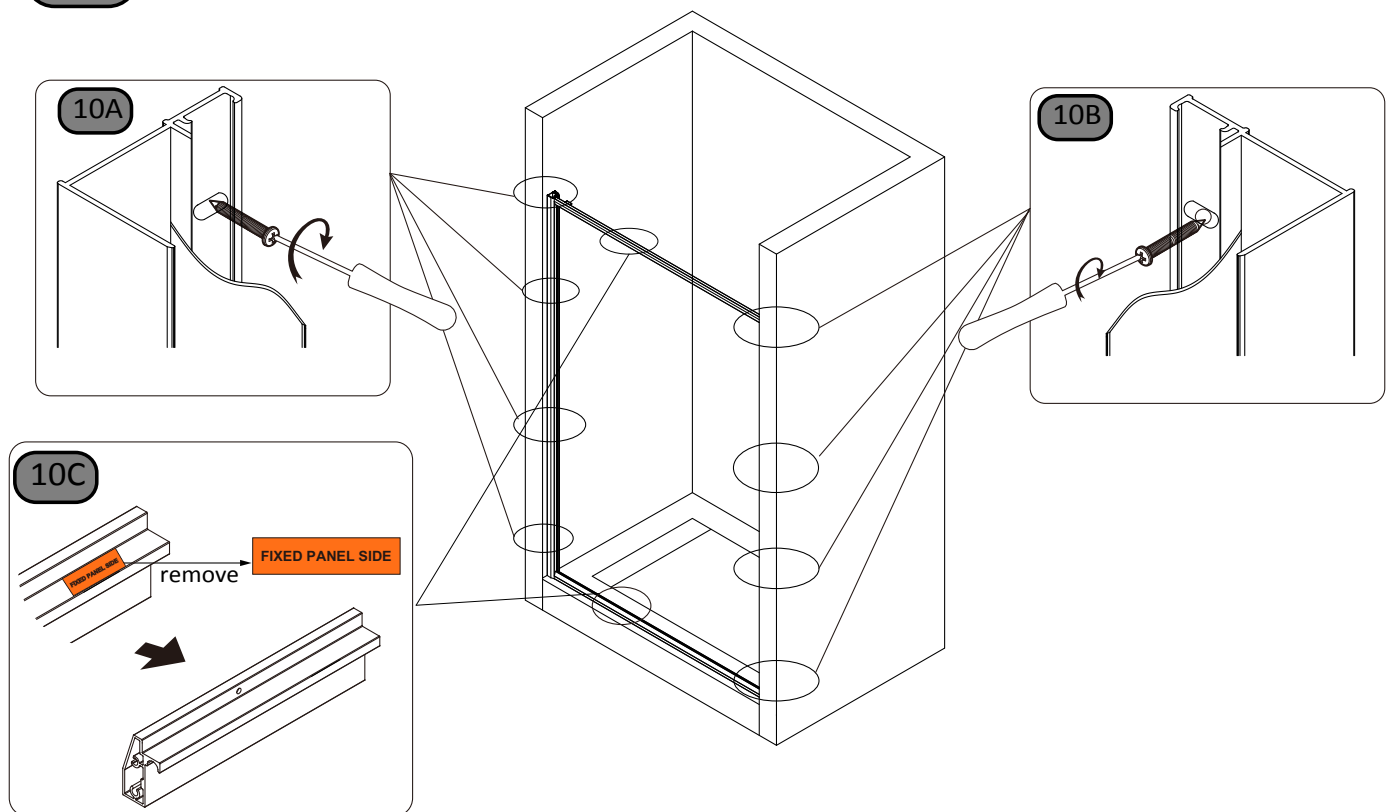


9

**Note:** From here on product is shown in left hand configuration for illustration purposes.

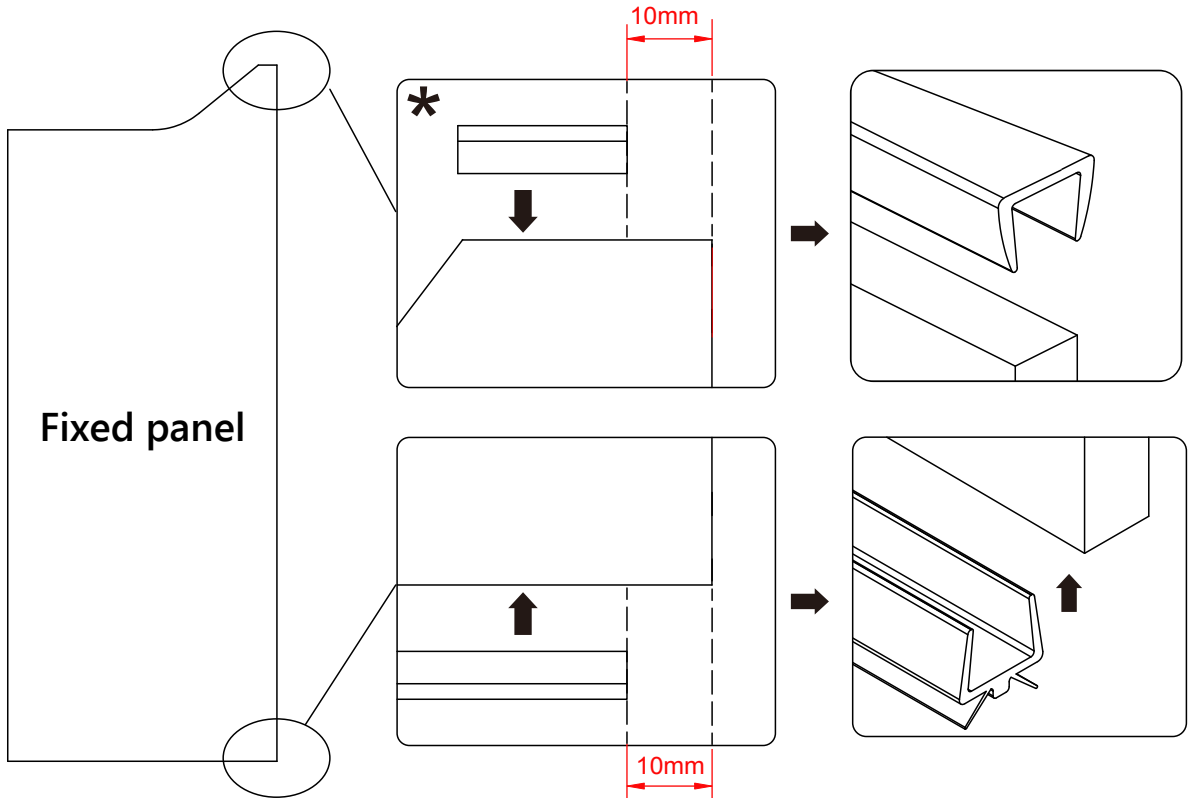


10



11

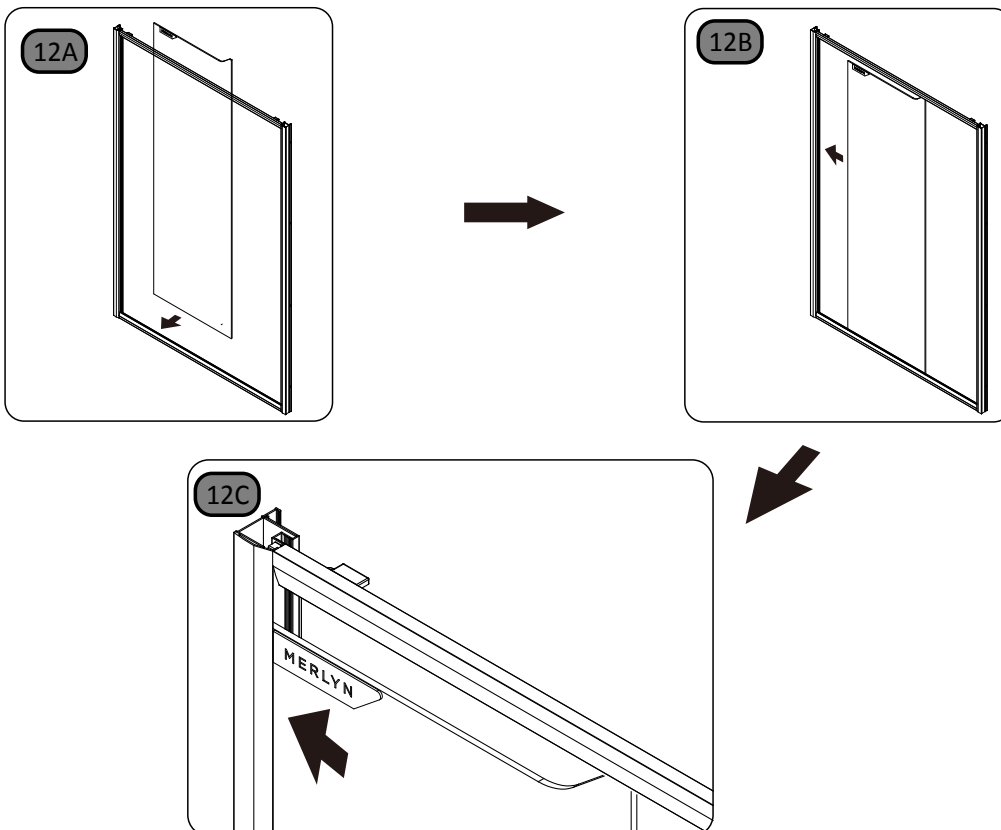
Push the seal onto the fixed panel making sure it is 10mm from the edge.  
**NOTE:** After step 12 make sure seal is still in the same position.



\* A top fixed panel seal is only used on sizes 1500 and up, 1400 and less do not use a top fixed panel seal.

12

A) From inside the enclosure lift the fixed panel onto the bottom profile.  
B) Slide the glass flush to the Merlyn badge as shown in 12C.



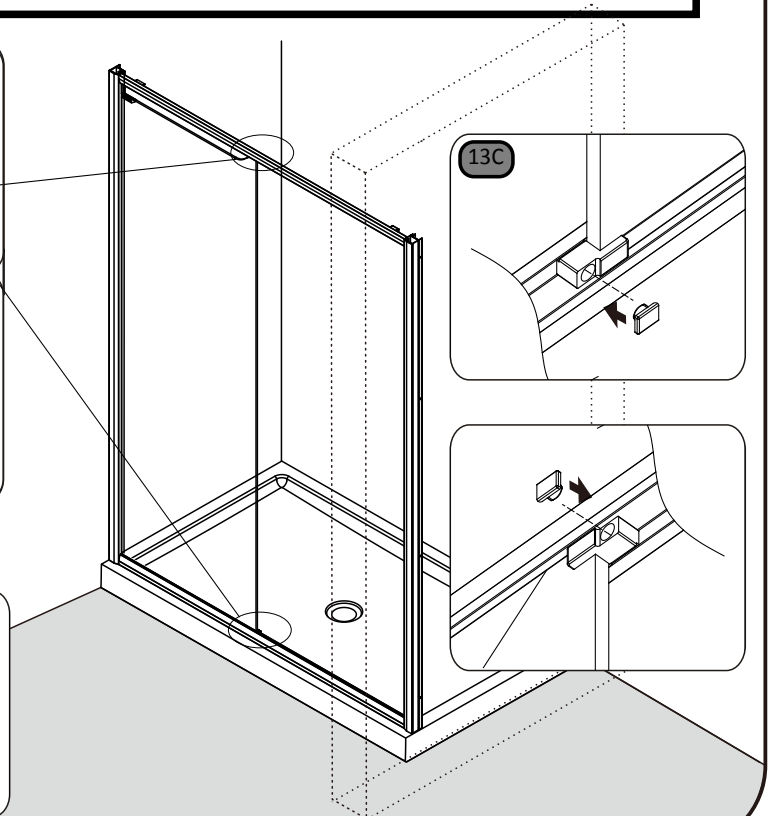
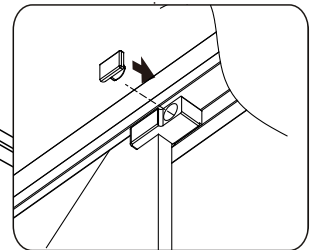
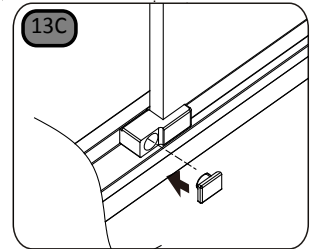
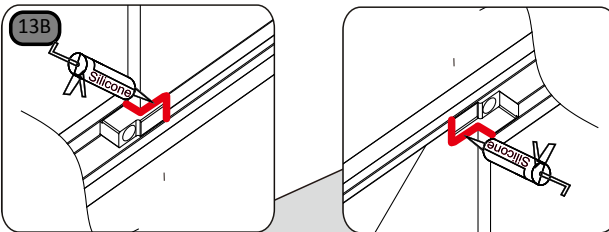
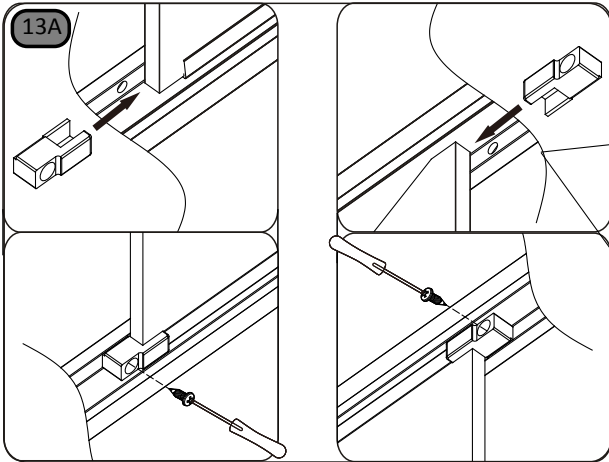
13

Check the bottom seal is in the correct position (step11).

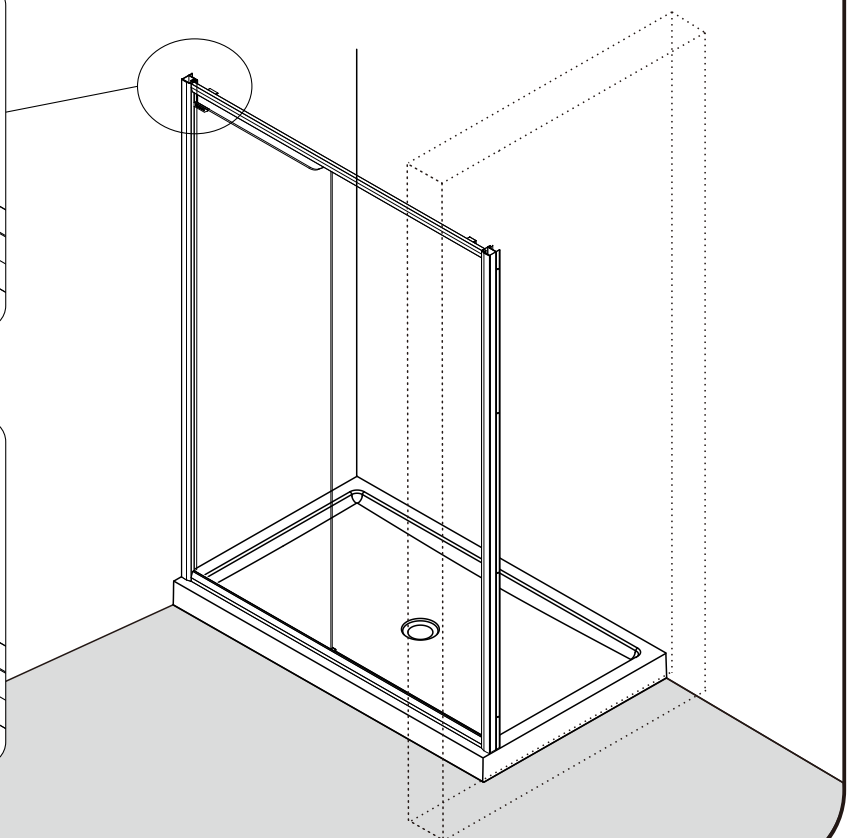
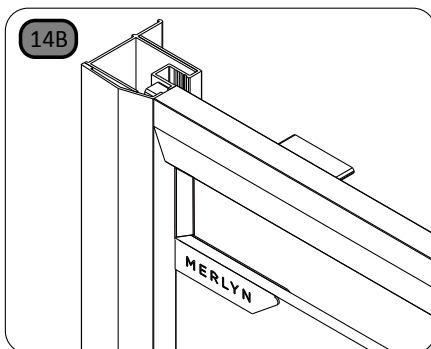
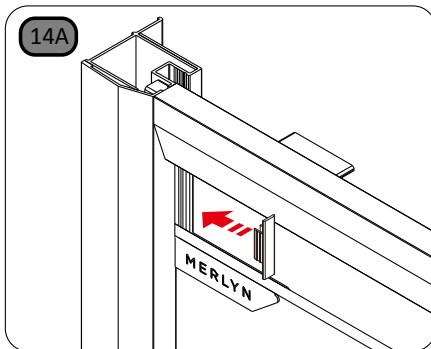
13A. Fit fixed glass clips.

13B. Add silicone to the join around glass and clip. Remove and excess silicone.

13C. Fit the glass clip cover cap.

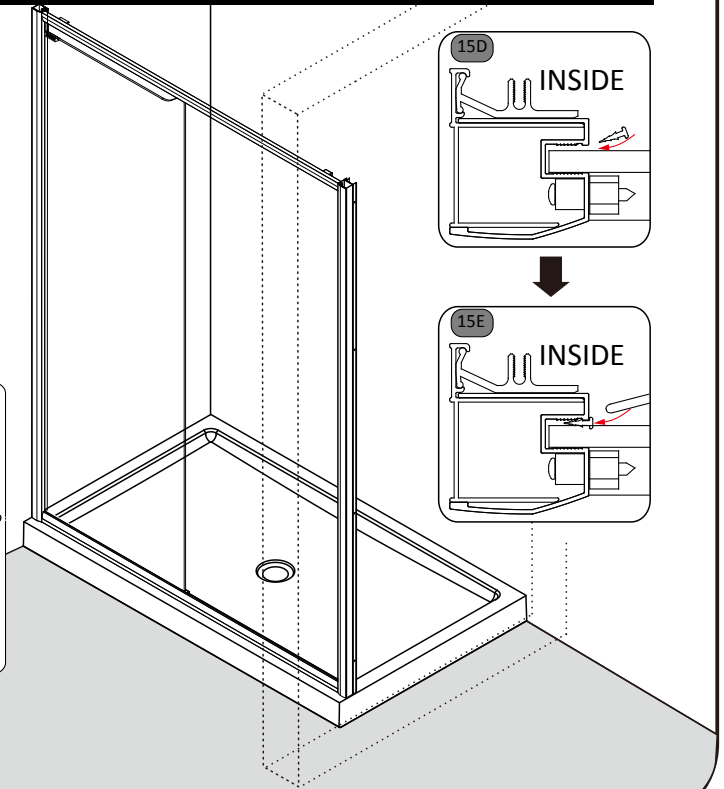
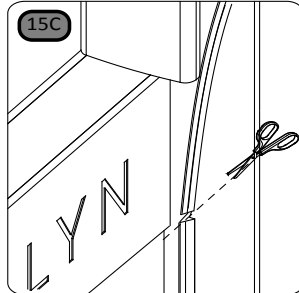
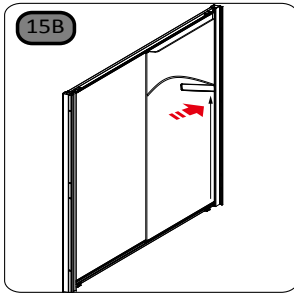
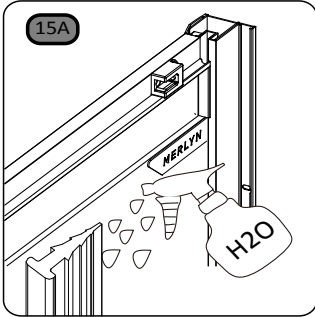


14



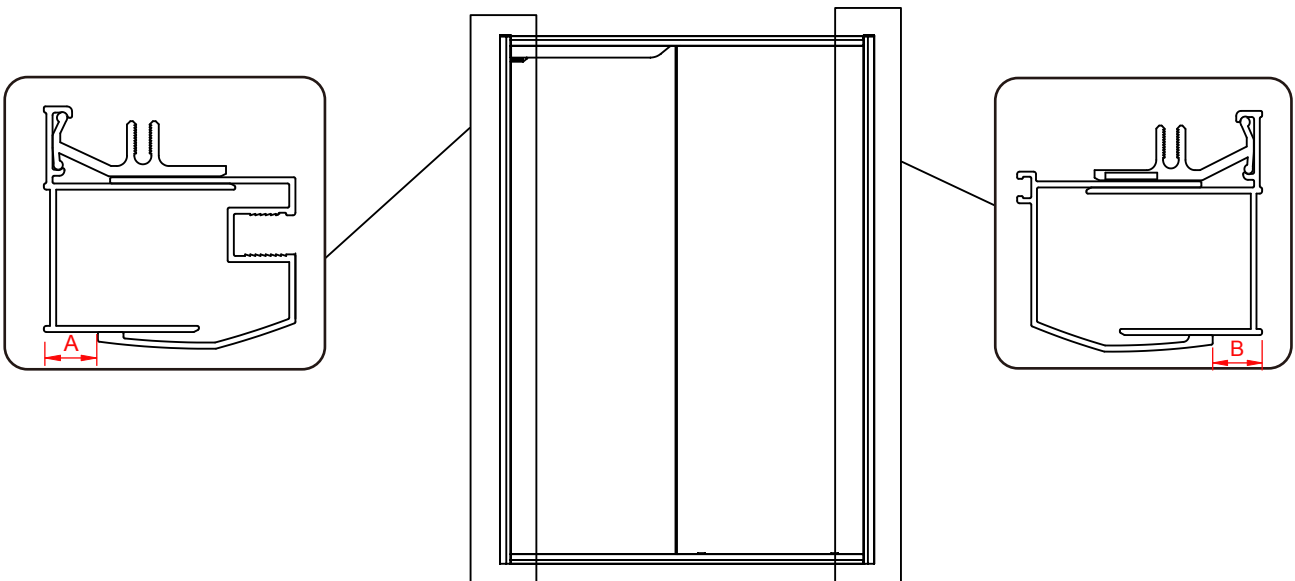
15

15A **Top Tip !** Add water to the wedge gasket to help fit into the wall profile.  
15B Make sure to start at the bottom and work upwards using the tool provided.  
15C The wedge gasket should then be cut to sit flush to the bottom of the Merlyn badge.



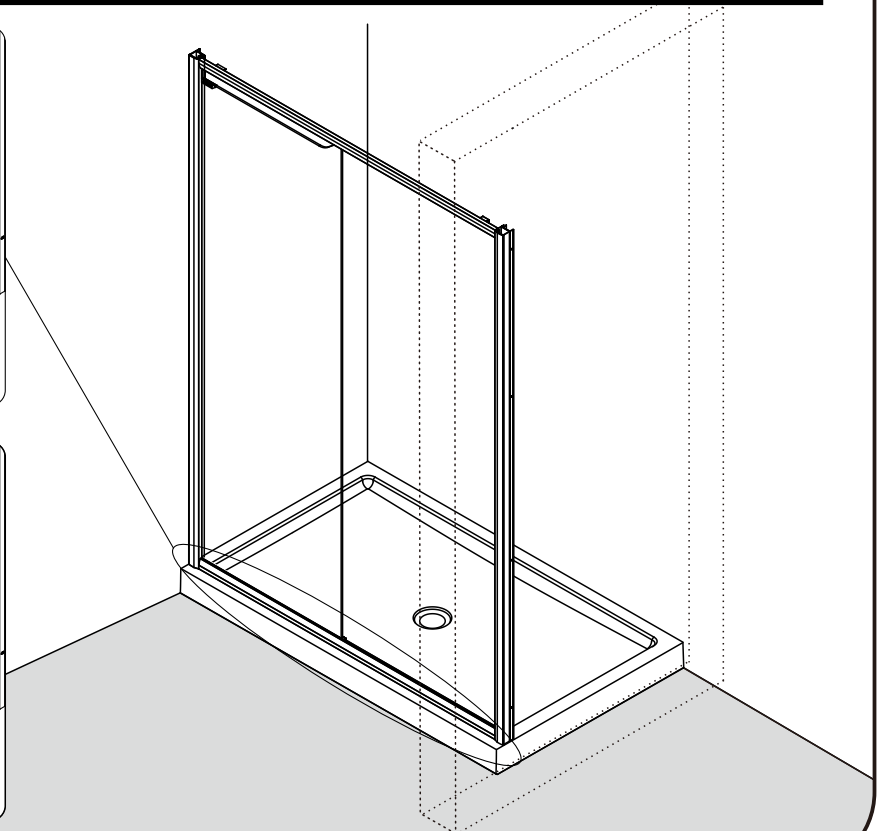
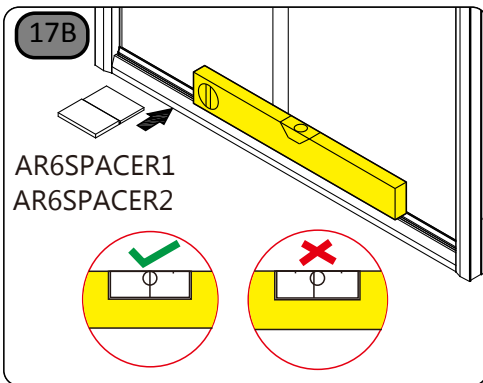
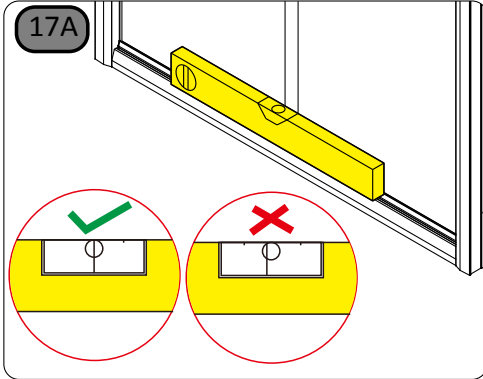
16

Where possible the frame should be adjusted equally on both sides,  $A=B$ .  
Max. adjustment of each side (A&B) is **25mm**.



17

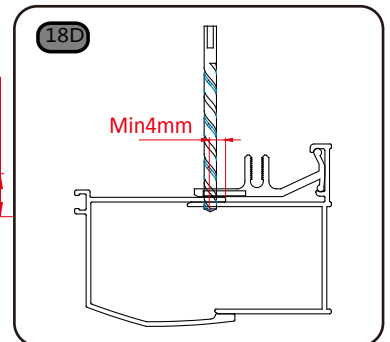
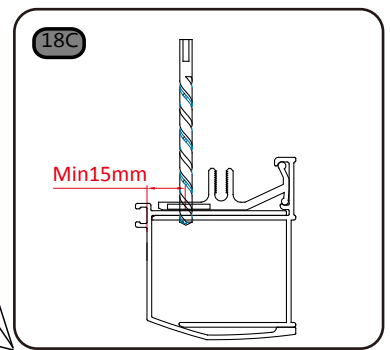
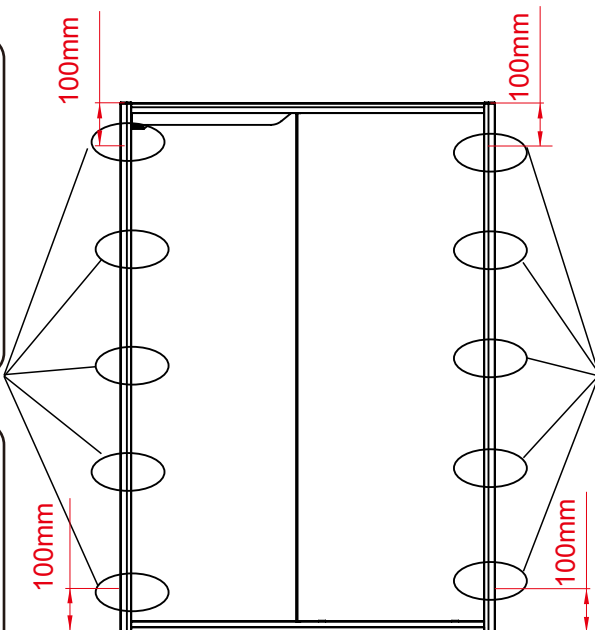
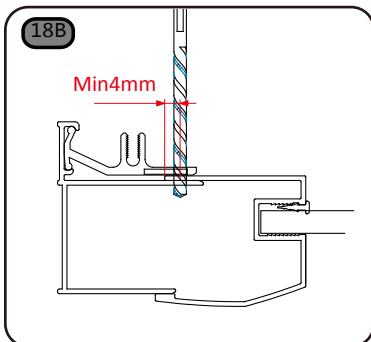
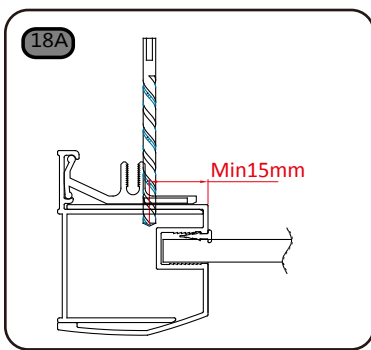
Make sure the bottom profile is level. If level continue to step 18. If not level choose a spacer size from AR6SPACER1/A6SPACER2 that returns the profile to level.



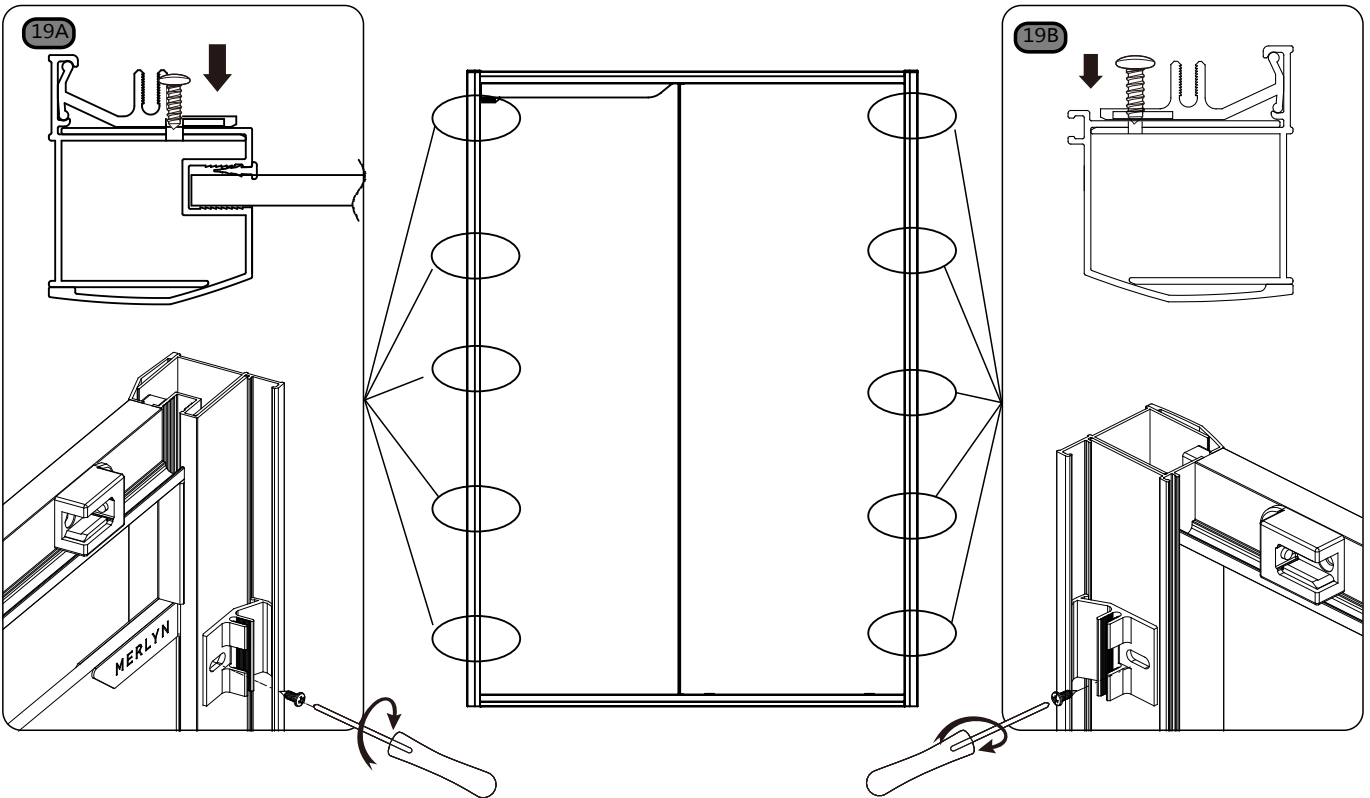
18

18A, 18C From inside drill the frame top, middle and bottom making sure to step in a Min. 15mm from the edge of the frame.

18B, 18D On Max. adjustment drill 4mm from the edge of the frame as shown below.

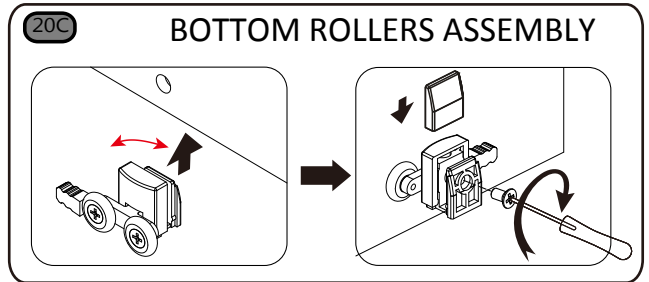
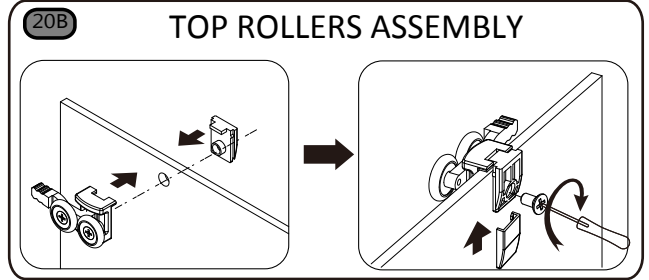
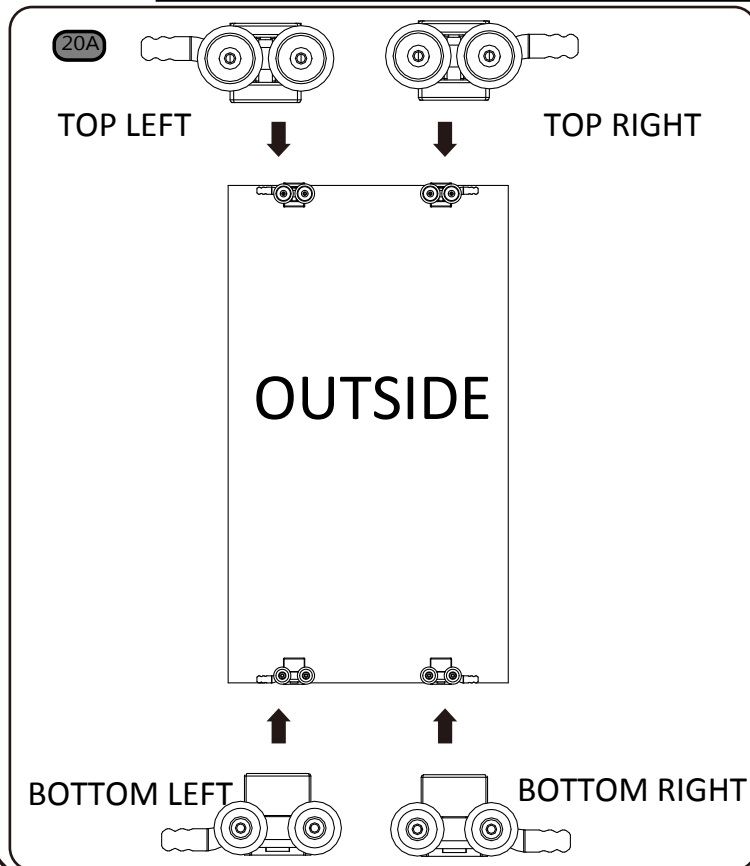


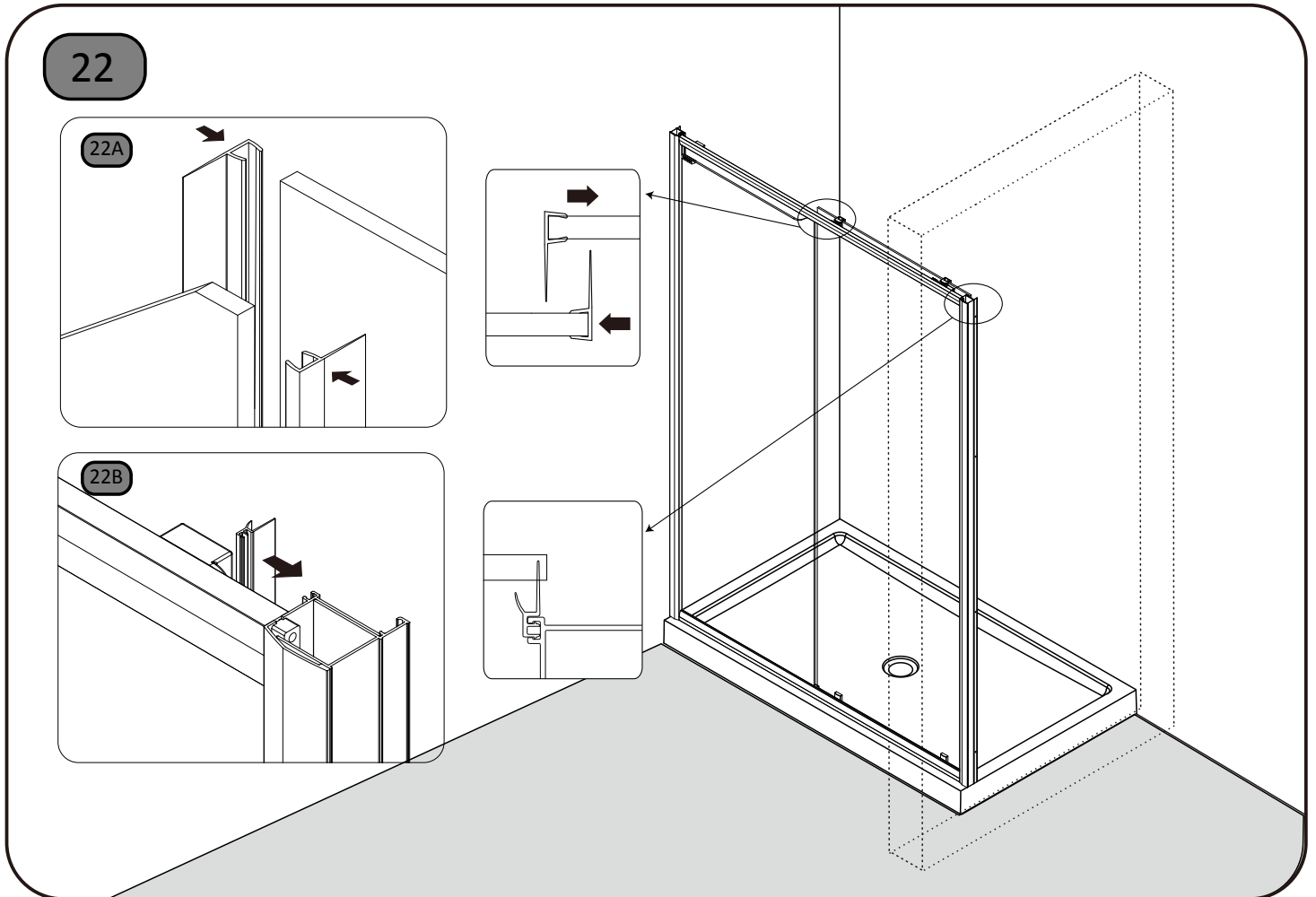
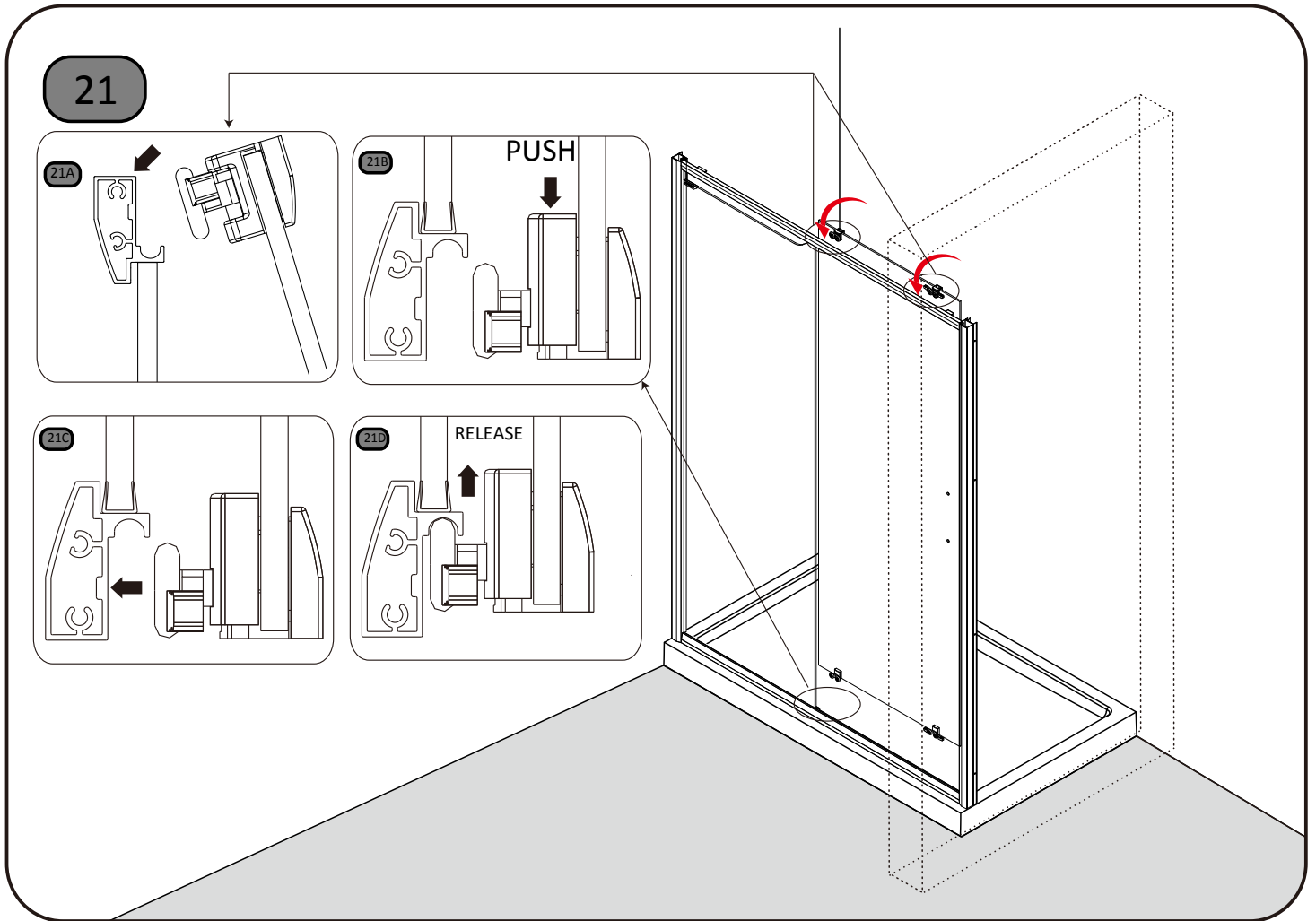
19



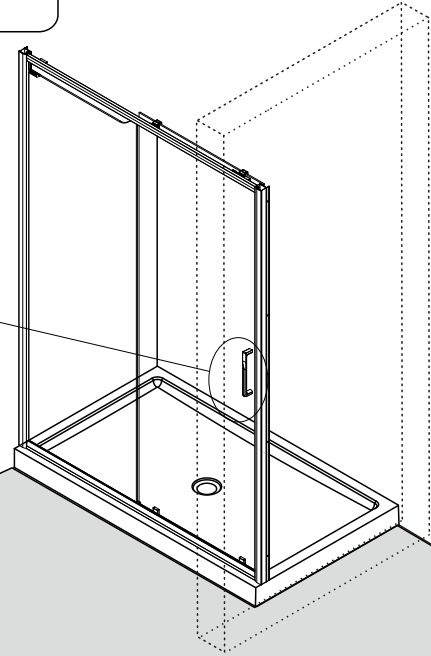
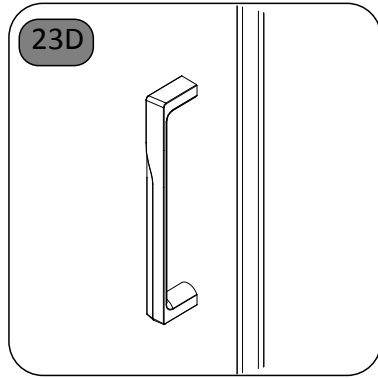
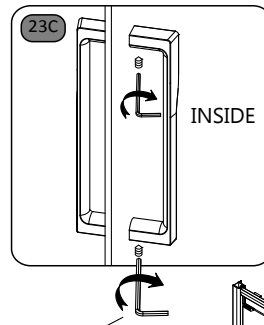
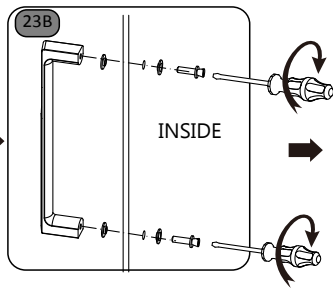
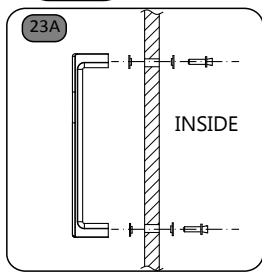
20

After the handing has been determined fix the rollers to the moving panel as shown in 20A. Note: Please check the roller labeling for correct orientation.



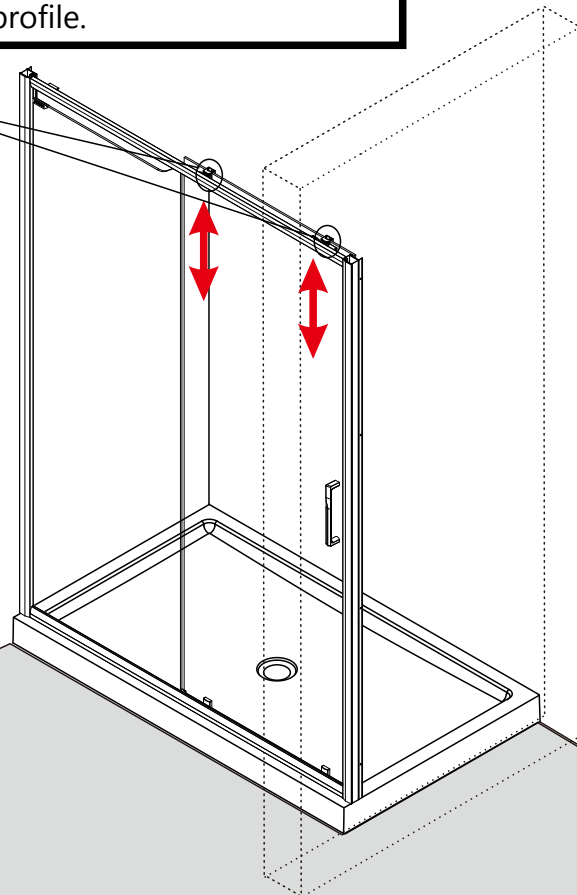
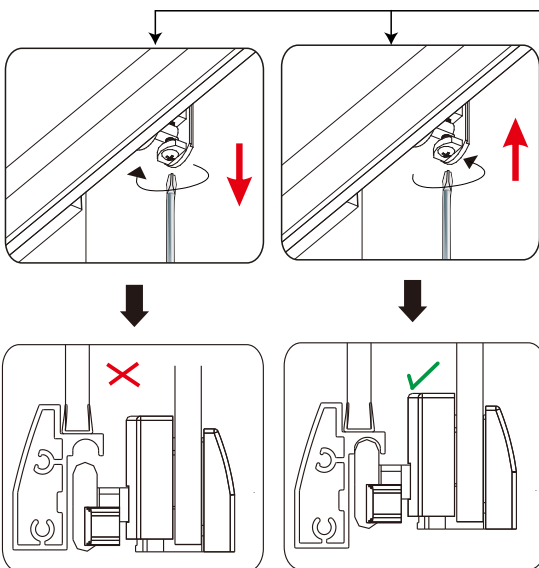


23



24

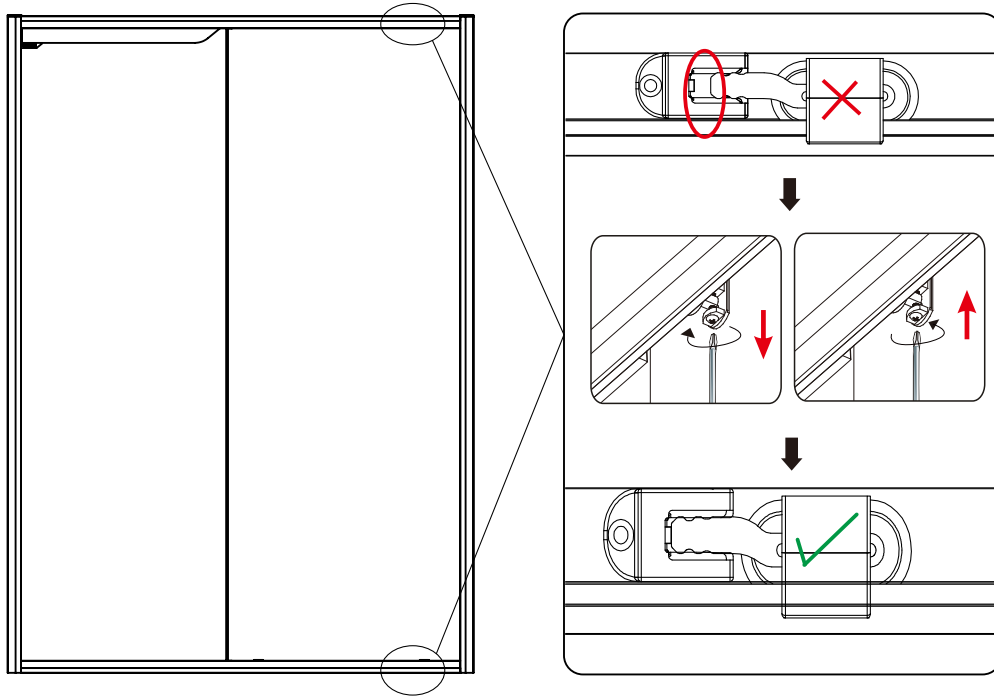
Adjust the rollers to plumb the moving panel. Also ensure the bottom rollers are in contact with the profile.



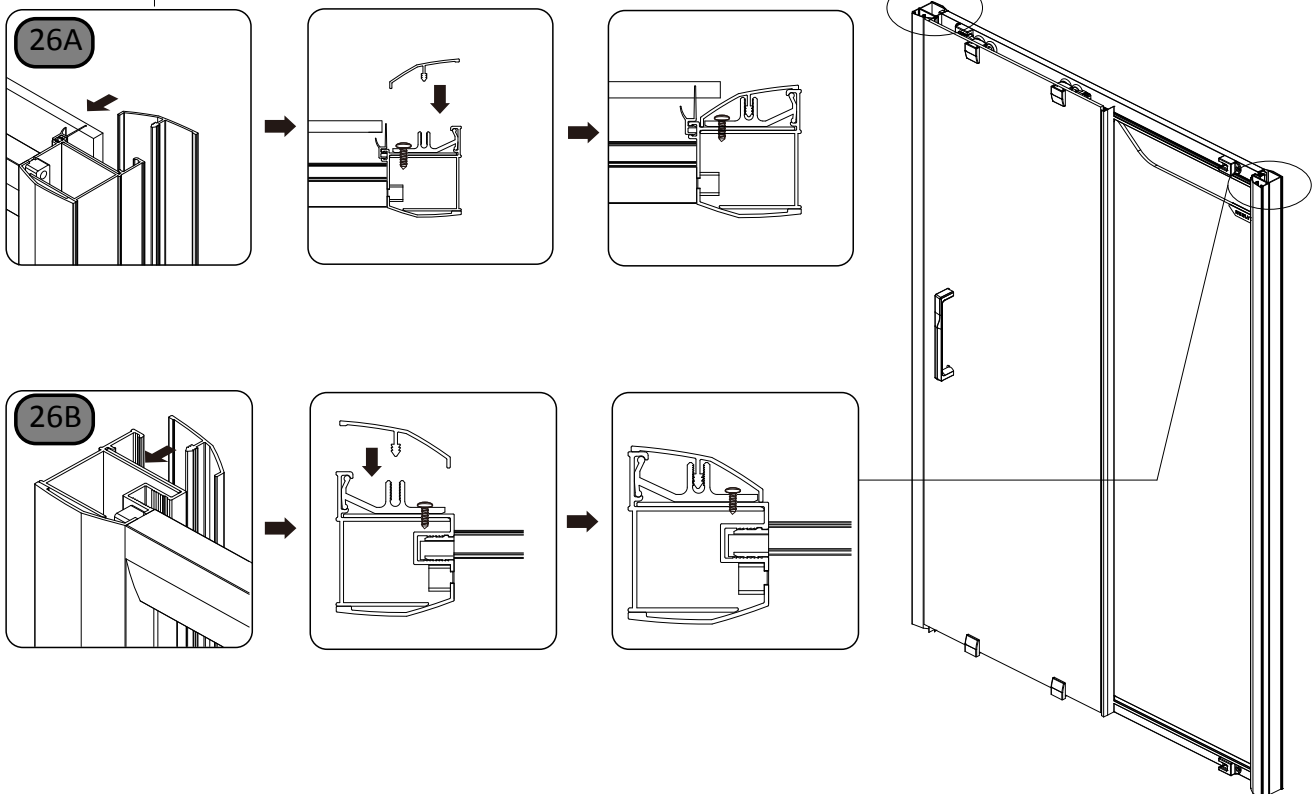


25

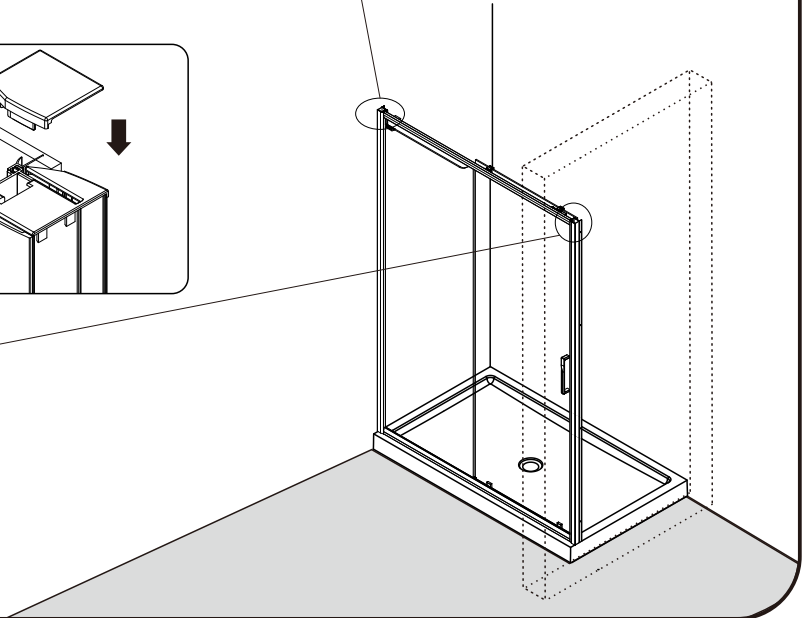
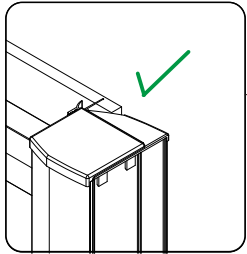
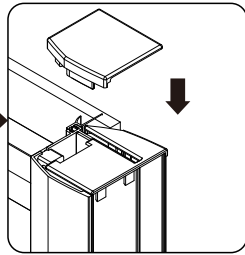
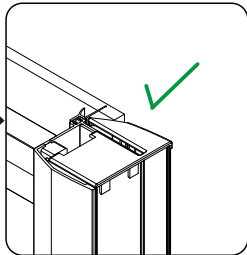
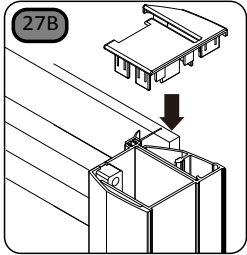
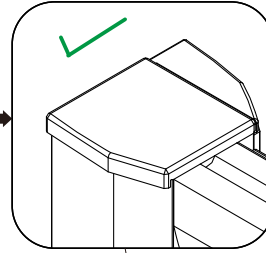
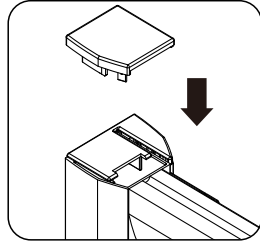
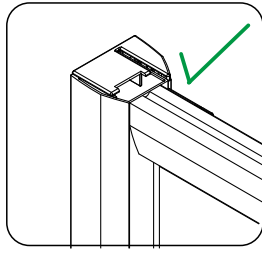
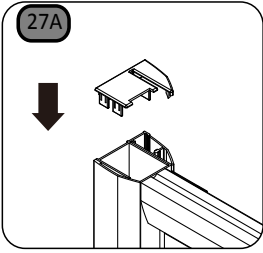
There should be no gap between both roller arms and the roller stops. Adjust rollers up or down to allow for full insertion.



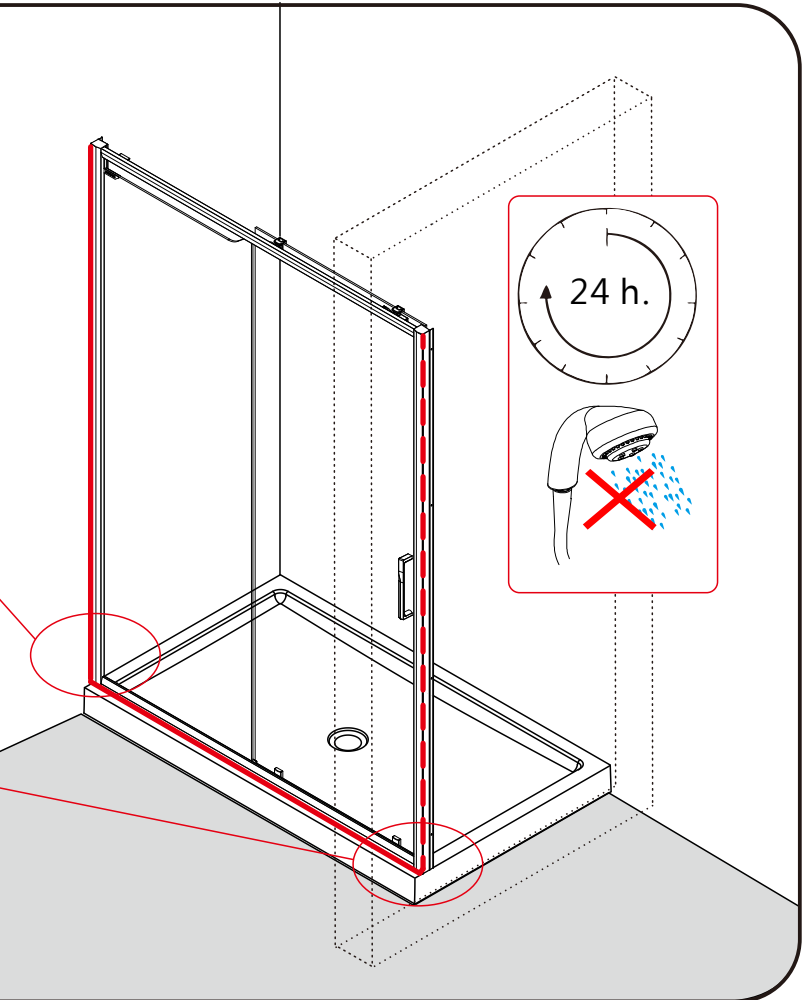
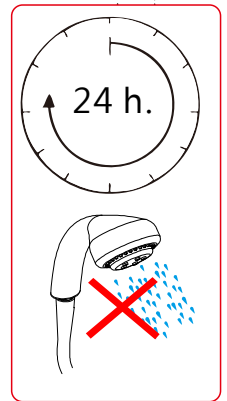
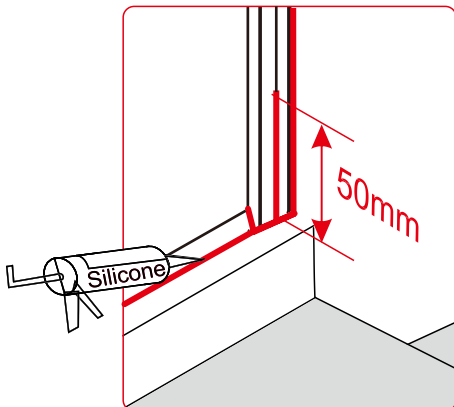
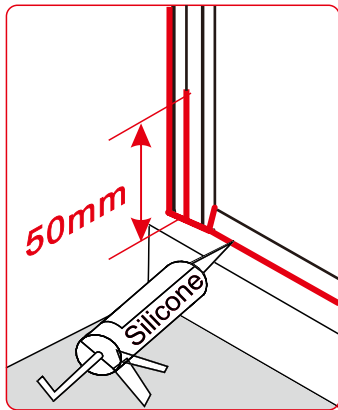
26



27



28



## **CLEANING**

It is important to clean your Merlyn shower door after every use. Wipe down all the glass and metal parts with a soft cloth. Do not allow lime scale to build up in hard water areas. Ensure that any residual water on the glass is removed after every use.

- Clean the glass regularly using soapy water.
- Do not use abrasive products on any surfaces.

Chrome is vulnerable to acid attack and some strong household cleaners including strong disinfectants, denture cleaners, hair dyes, wine making chemicals and photographic chemicals may contain acid. These materials may have a varying effect on the surface from black spots/streaks (which cannot be removed) to pitting the surface. Contact with these materials should be avoided.

## **TROUBLE SHOOTING**

### Door Not Aligning

1. Is the tray 100% level? ( see page 5)
2. Have the walls been checked at different levels to ensure consistency? Bumps or hollows in the wall may push the frame out of alignment.
3. Are the wall profiles stepped in a Min. 10mm from the edge of the tray? ( see step 3,4)
4. Do the finished tile measurements at top, middle and bottom fall within the adjustment (X) listed on step 2.
5. Are the rollers adjusted so the bottom rollers are running along the track in the frame and not rattling in the bottom track .(see step 24)
6. Are the rollers adjusted so the closing side roller arm goes fully into the roller stop .(see step 25)
7. If bottom roller easy clean function does not work correctly slightly loosen the screws on the top rollers. (see step 24)

### Door Leaking

1. This door is fitted with a soft close roller stop. Make sure the door is fully closed (see step 25). To ensure the best performance of the soft close periodical cleaning of the stop with a damp cloth may be required.
2. Are the rollers adjusted so the closing side roller arm goes fully into the roller stop on the top and bottom ? (see step 25)
3. Are the upright seals fitted correctly? (see step 22)
4. Is the door sealed correctly ? (see step 28)
5. Have the fixed panels been properly secured? (See step 19)
6. Ensure a sufficient dab of silicone is applied between fixed clip and glass on bottom profile and upright seal is fitted to fixed panel. Then remove excess silicone. (See step 13)
7. Check to ensure the door frame is 100% square.



Merlyn Industrles Ltd (MER01)	
CEAR6 1.1	
18	
EN 14428	
Shower enclosures with aluminium profiles and safety glass	
Cleanability	: Pass
Impact resistance/ shatter propertles	: Pass
Durablily	: Pass

To download the Declaration of Performance (DOP) for this product use the link below.  
<http://merlynshowering.com/aftersales-support/dop-certs/>  
For further information contact IRL: 056 7791 888, UK: 0808 1011 429