



IB RUBINETTI

Collection

MARMO

Article

MR220_1

Description

Monohole bidet mixer

Box Dimensions

353 x 225 x 226 mm

Weight

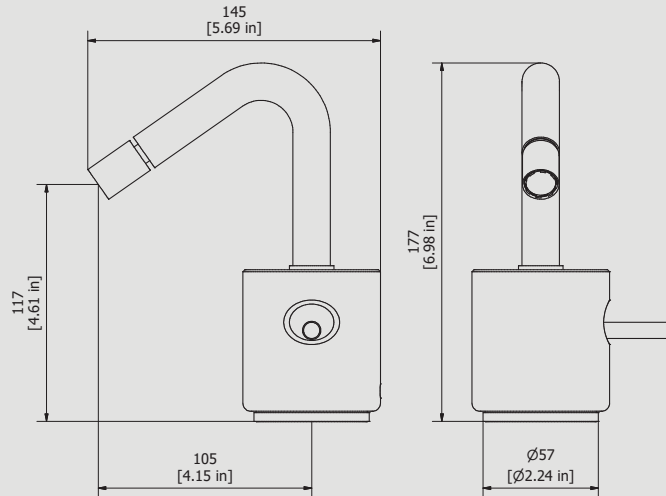
2.6 kg



Finishes

- **CC**
CHROME
- **CF**
BLACK CHROME
- **OO**
GOLD
- **BB**
ANTIQUÉ BRONZE
- **SS**
BRUSHED NICKEL
- **CS**
BRUSHED BLACK CHROME
- **BO**
MATT WHITE
- **NP**
MATT BLACK
- **IS**
BRUSHED PALE GOLD
- **OS**
BRUSHED GOLD
- **II**
PALE GOLD
- **RR**
ANTIQUÉ COPPER
- **RS**
ROSE GOLD
- **ON**
NATURAL BRASS
- **SR**
BRUSHED ROSE GOLD
- **PL**
PLATINUM

Dimensions



Cartridge

Ø25 ceramic cartridge

Hoses

Inox hoses G3\8" female 400 mms long

Aerator

M16.5x1

Flow Rate (+/-10%)

1 BAR	2 BAR	3 BAR
4.2 l/min	5.7 l/min	6 l/min

Production

Main body is a machined from a solid pieces

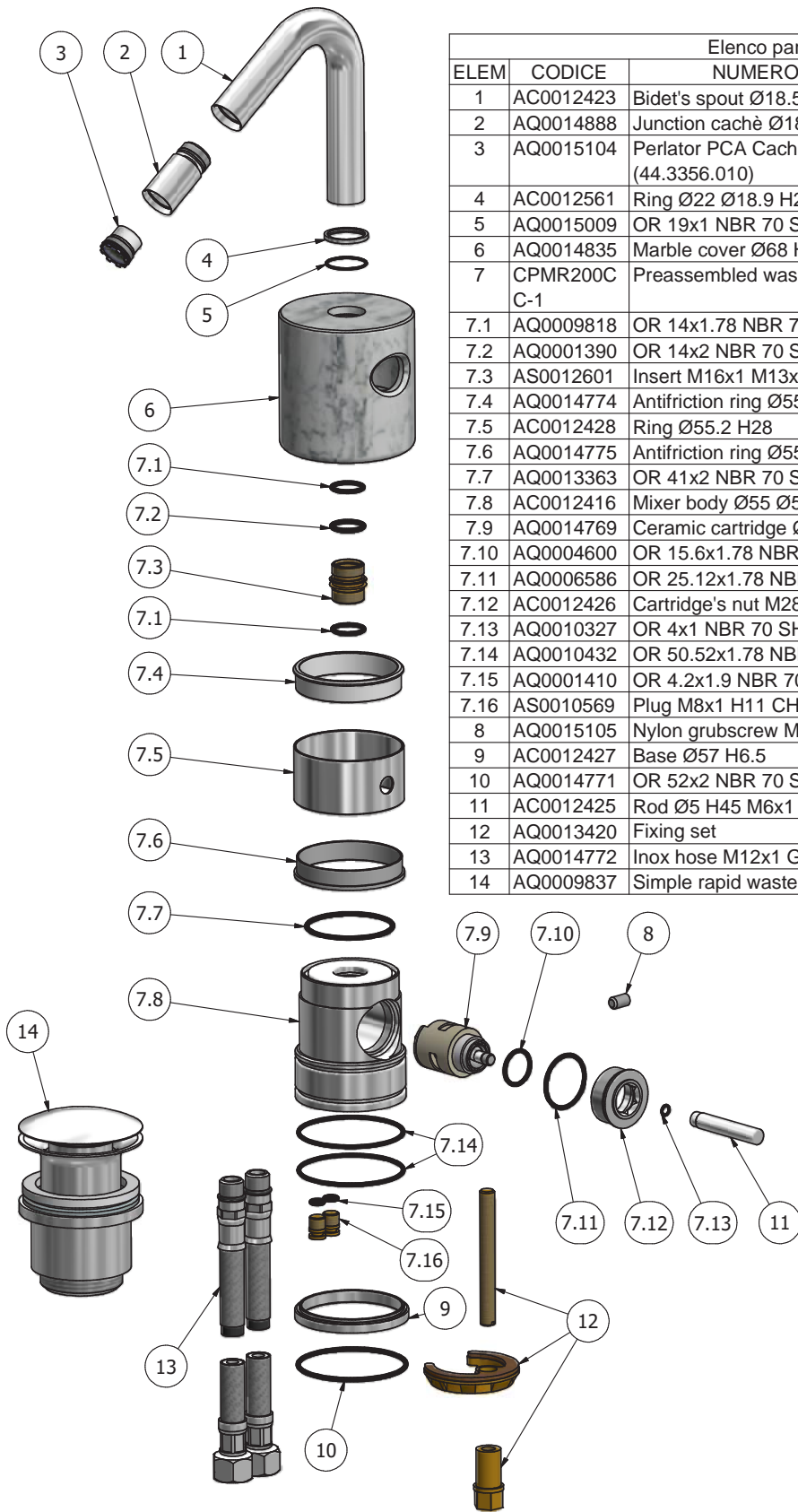
Material

BRASS
According to CuZn42 (CW510L)
Max Lead content: 0.2%





IB RUBINETTI



Elenco parti			
ELEM	CODICE	NUMERO DI MAGAZZINO	QT
1	AC0012423	Bidet's spout Ø18.5 H104	1
2	AQ0014888	Junction cachè Ø18 (06.8983.10000)	1
3	AQ0015104	Perlator PCA Cachè honeycomb 1.5 gpm (44.3356.010)	1
4	AC0012561	Ring Ø22 Ø18.9 H2	1
5	AQ0015009	OR 19x1 NBR 70 SH	1
6	AQ0014835	Marble cover Ø68 H70 carrara's white	1
7	CPMR200C C-1	Preassembled washbasin mixer	1
7.1	AQ0009818	OR 14x1.78 NBR 70 SH	2
7.2	AQ0001390	OR 14x2 NBR 70 SH	1
7.3	AS0012601	Insert M16x1 M13x1 H19	1
7.4	AQ0014774	Antifriction ring Ø55.3 Ø52.9 Ø49.1 H11	1
7.5	AC0012428	Ring Ø55.2 H28	1
7.6	AQ0014775	Antifriction ring Ø55.3 Ø51.2 H10	1
7.7	AQ0013363	OR 41x2 NBR 70 SH	1
7.8	AC0012416	Mixer body Ø55 Ø51 H65	1
7.9	AQ0014769	Ceramic cartridge Ø25 open M6x1	1
7.10	AQ0004600	OR 15.6x1.78 NBR 70 SH	1
7.11	AQ0006586	OR 25.12x1.78 NBR 70 SH	1
7.12	AC0012426	Cartridge's nut M28x1 Ø30 H13	1
7.13	AQ0010327	OR 4x1 NBR 70 SH	1
7.14	AQ0010432	OR 50.52x1.78 NBR 70 SH	2
7.15	AQ0001410	OR 4.2x1.9 NBR 70 SH	2
7.16	AS0010569	Plug M8x1 H11 CH3	2
8	AQ0015105	Nylon grub screw M6x10 taglio cacciavite p.p.	1
9	AC0012427	Base Ø57 H6.5	1
10	AQ0014771	OR 52x2 NBR 70 SH	1
11	AC0012425	Rod Ø5 H45 M6x1	1
12	AQ0013420	Fixing set	1
13	AQ0014772	Inox hose M12x1 G3/8" F L400 DN8	2
14	AQ0009837	Simple rapid waste 1"1/4	1

WARRANTY

All IB Rubinetterie SpA products are warranted for 10 years from the date of purchase, for the following cases:

- Defects of casting, porosity and chrome plating.
- Operating defects caused by incorrect fabrication.

The warranty provides for repair or replacement of products with fabrication defects recognized by our technical office. There is no other type of compensation anche the merchandise must be returned FOB our warehouse. The warranty only cover surface defects (scatches, dings, etc.) on fitting that have not been installed and used, returned in its original packaging with all components. O-ring, gasket seals and components subject to wear proportional to use are warranted for 2 years.

The warranty is void in the following cases:

Error installing and putting the product into service.

Deterioration of finisched surfaces due to use of cleaning products containing acids or abrasive substances. Deterioration of surface with finishes other than chrome plating. Their durability is, in fact, dependent on the user's care and gentleness of use.

Deterioration of the fitting due incorrect installation.

Improper repairs and maintenance performed without the company's prior authorization.

The warranty from IB Rubinetterie SpA is not renewable.

Cleaning

We recommended cleaning the finish surfaces with water and soap, using a soft cloth.

Do not use detergents that cointain hydrochloric acid or abrasive substances.

