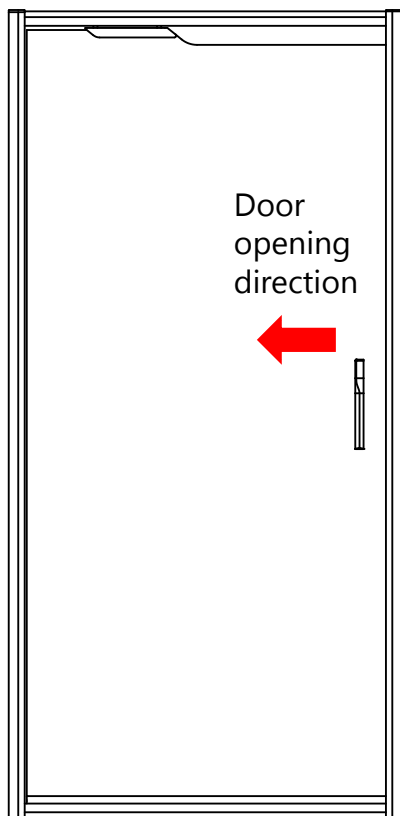
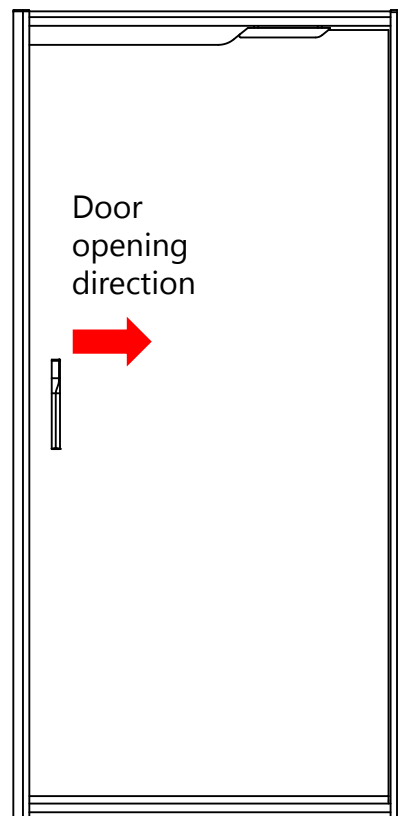


Installation Guide Infold

Left hand



Right hand



IMPORTANT:
**Please read the complete instructions
before commencing fitting.**

Make sure the tray is 100% level in all directions.

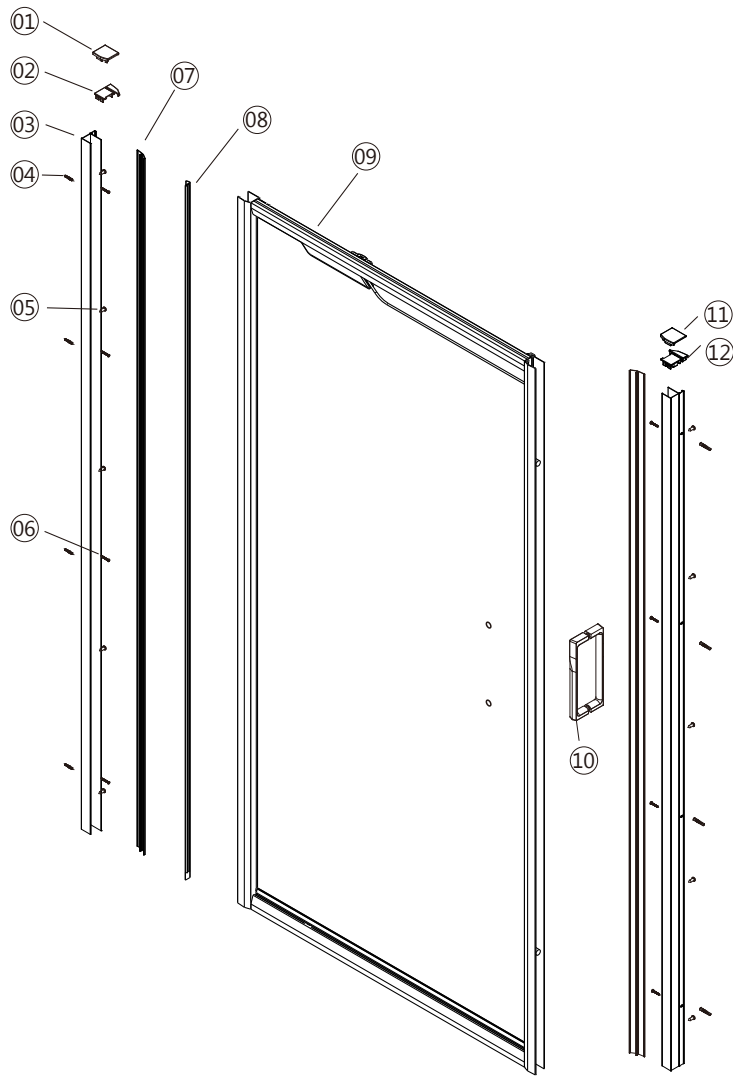
Do Not attempt to install the product unless you can tick all 4 boxes satisfactory.

- **Check that you have the tools required**
- **Check the installation site is compatible with the sizes of door supplied**
- **Check all the enclosure components are present**
- **Check the installation kit is complete**

The wall plugs supplied with the installation kit are for use in solid walls. Hollow or 'stud partition' walls will require alternative fixings. Please consult a hardware supplier for the correct type.


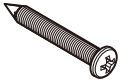
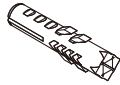


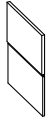



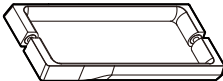



It may also be necessary to consult your tiling supplier about the correct method for drilling tiles.

**ATTENTION: TAKE EXTREME CARE WHEN HANDLING
GLASS, WEAR PROTECTIVE EYEWEAR AND CLOTHING.
DO NOT LEAVE THE GLASS ON HARD SURFACES AND
AVOID CONTACT BETWEEN THE GLASS EDGES AND
HARD SURFACES OR IMPACTS DURING THE
INSTALLATION.**

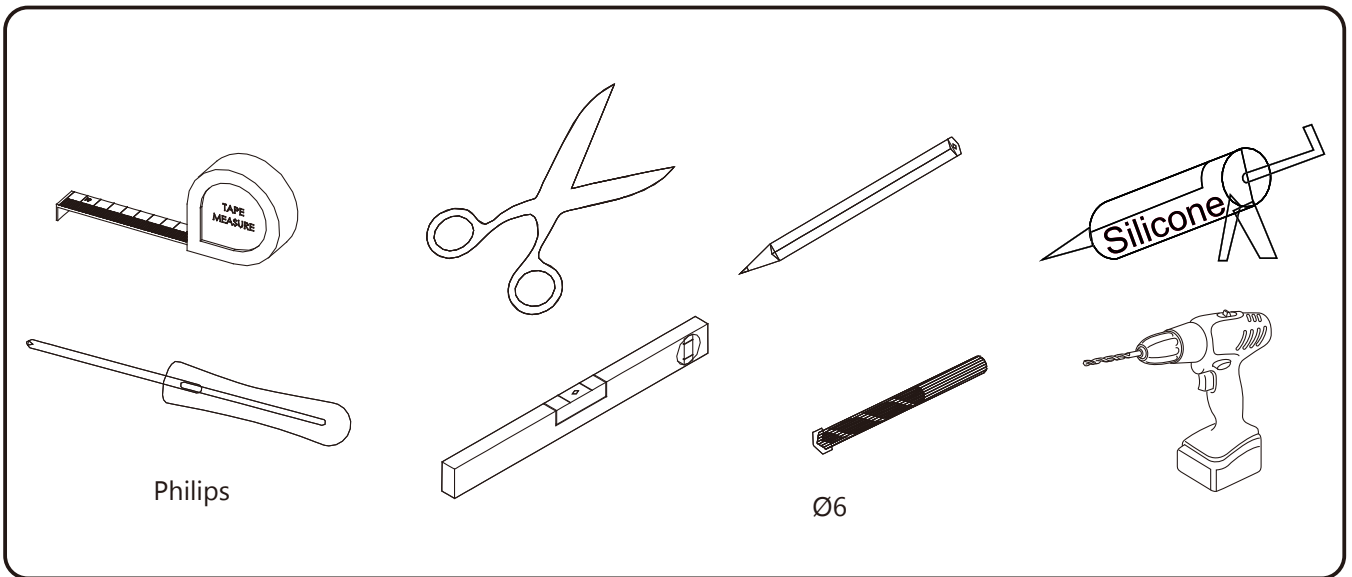


No.	QTY	Description	Code	No.	QTY	Description	Code
01	1	Top cap for adjusting profile, left	A6UPPCAPL	07	2	Cover strip	A6STDCS
02	1	Top cap for wall profile, left	A6WPCAPL	08	1	Infold/Pivot Infold upright seal	A6NFPVHSS
03	2	Wall profile	A6STDWP	09	1	Infold Door	
04	8	Wall plug	A6WPLUG	10	1	Handle	A6HANDLE
05	10	Frame fixing screw	A64X8FRA	11	1	Top cap for adjusting profile, right	A6UPPCAPR
06	8	pan head wall screw	A6WSCRW	12	1	Top cap for wall profile, right	A6WPCAPR

Fixing Kit Components

						
A64X8FRA ST4*8 x10	A6WSCRW ST4*30 x8	A6WPLUG Ø6 x8	A6UPPCAPL x1	A6UPPCAPR x1	AR6SPACER1 1&1.5mm x1	AR6SPACER2 2&3mm x1
						
A6WPCAPL x1	A6WPCAPR x1	A6HANDLE x1	2.5mm x1	3mm x1	Ø3 x1	

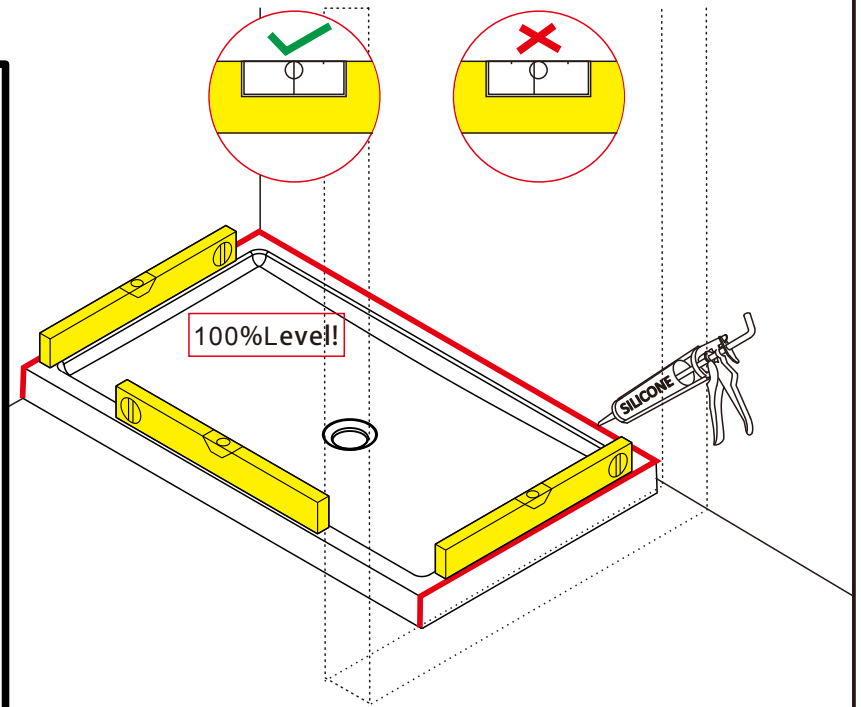
Tools required



1

Ensure the shower tray is level in all directions and is properly sealed to the wall. The wall must be tiled down to the top edge of the tray. Do not angle out bottom tile.

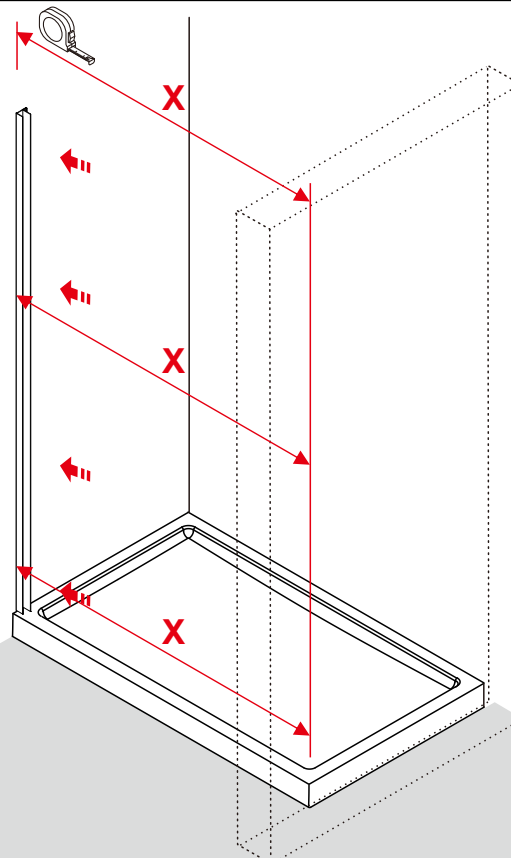
TRAY MUST BE LEVEL IN ALL DIRECTIONS!
TRAY MUST BE SEALED FULLY IN ALL AREAS WHERE THE TRAY MEETS THE WALL.



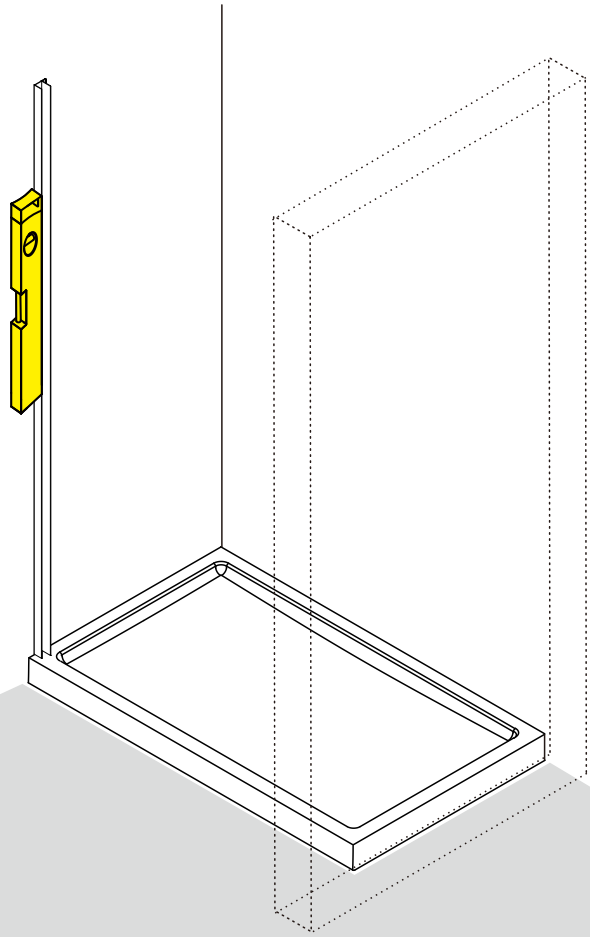
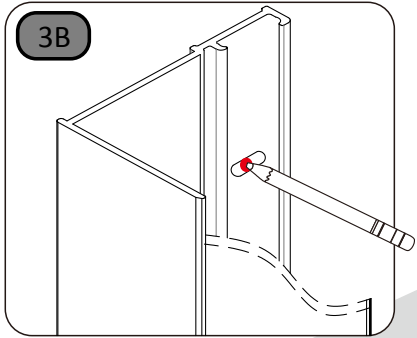
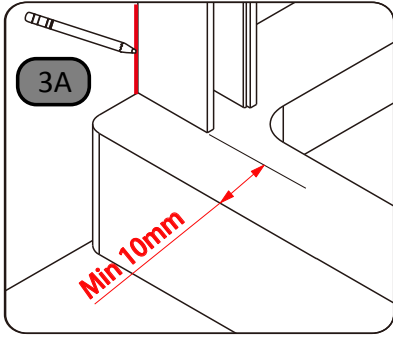
2

Note: This is a handed product but is shown in left hand configuration for illustration purposes.

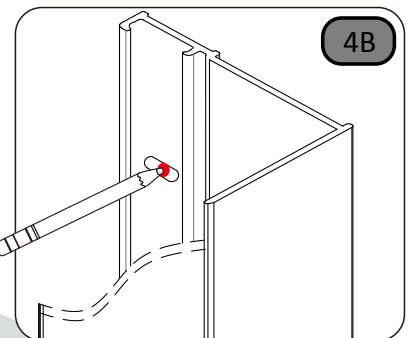
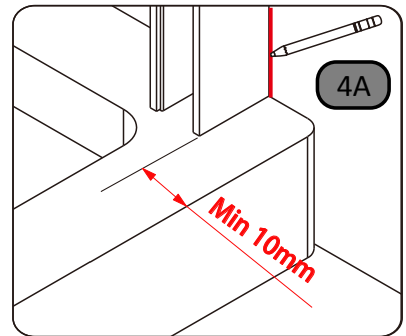
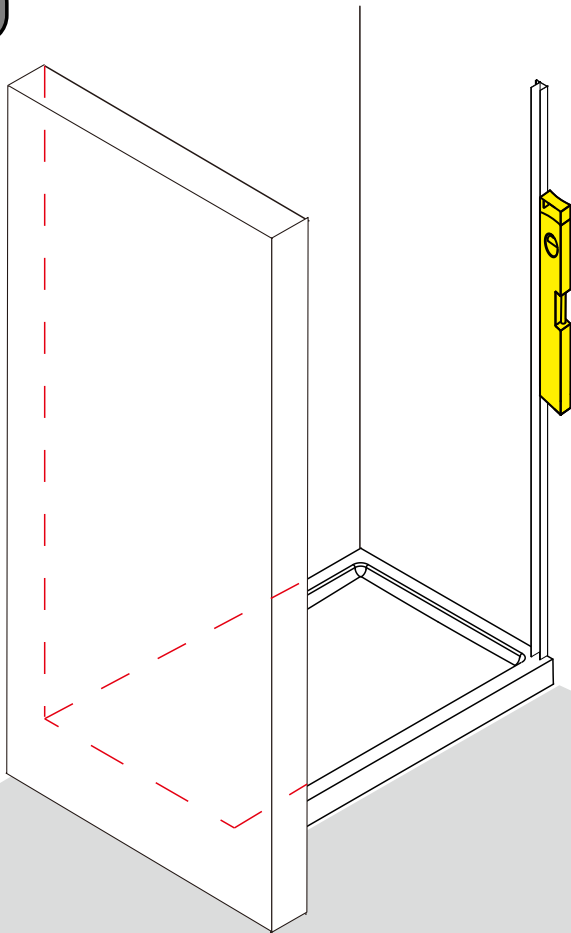
Size	X
700	640-690
760	700-750
800	740-790
900	840-890
1000	940-990



3

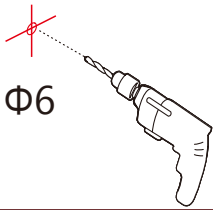


4

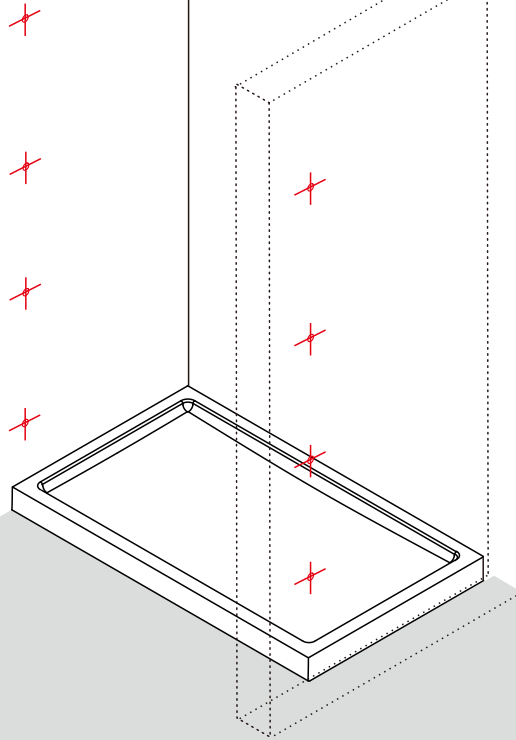
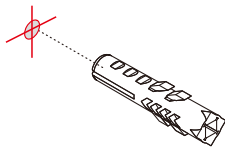


5

5A

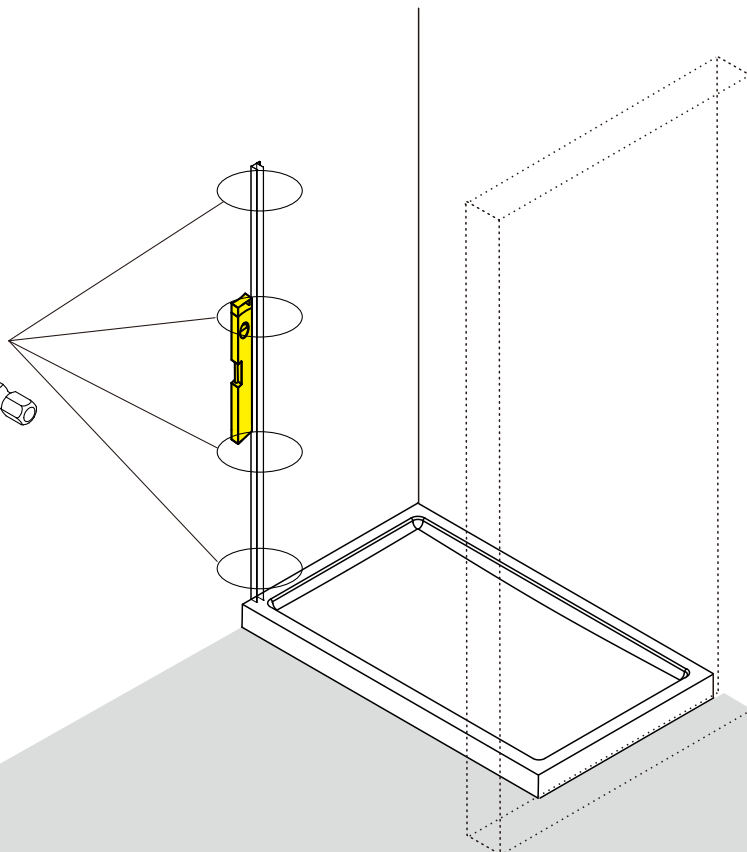
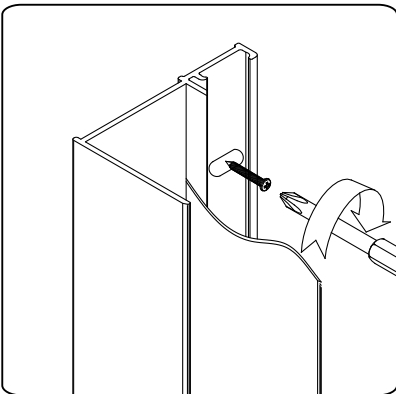


5B



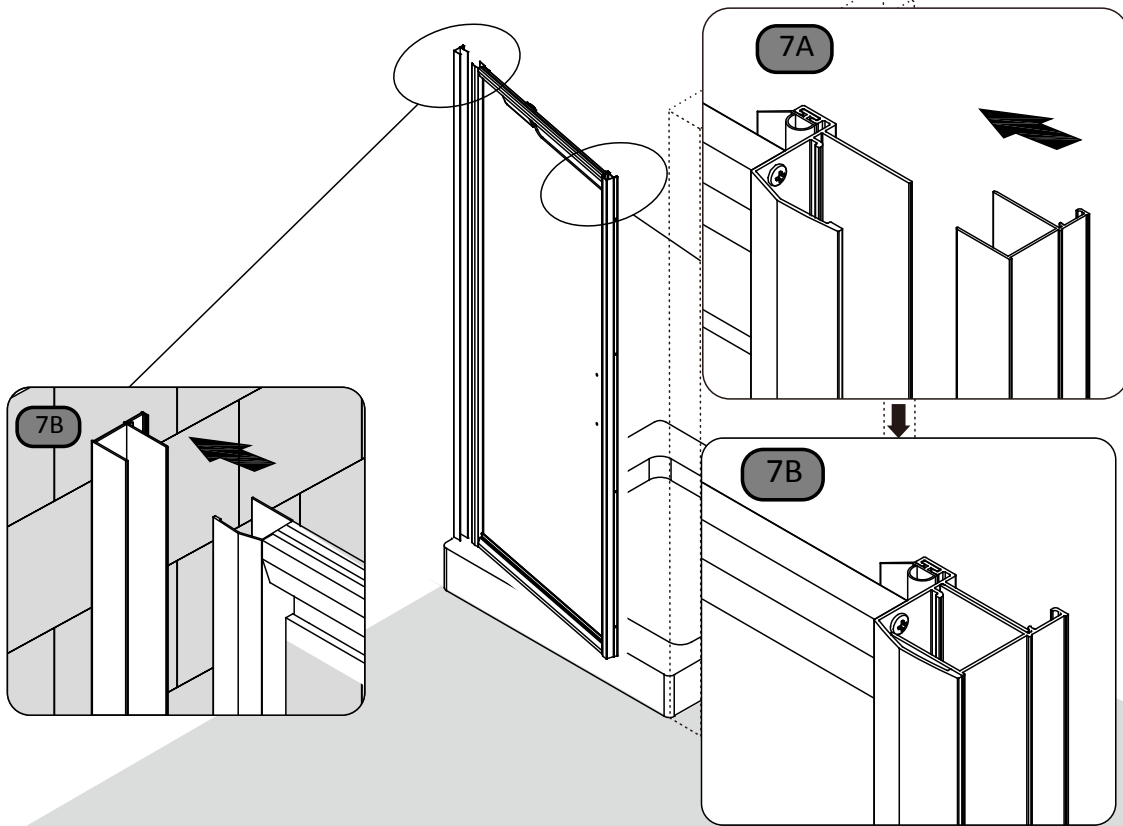
6

Only fix 1 of the wall profiles to the wall. In a recess situation it is easier to fix the 2nd wall profile later as shown in step 7.



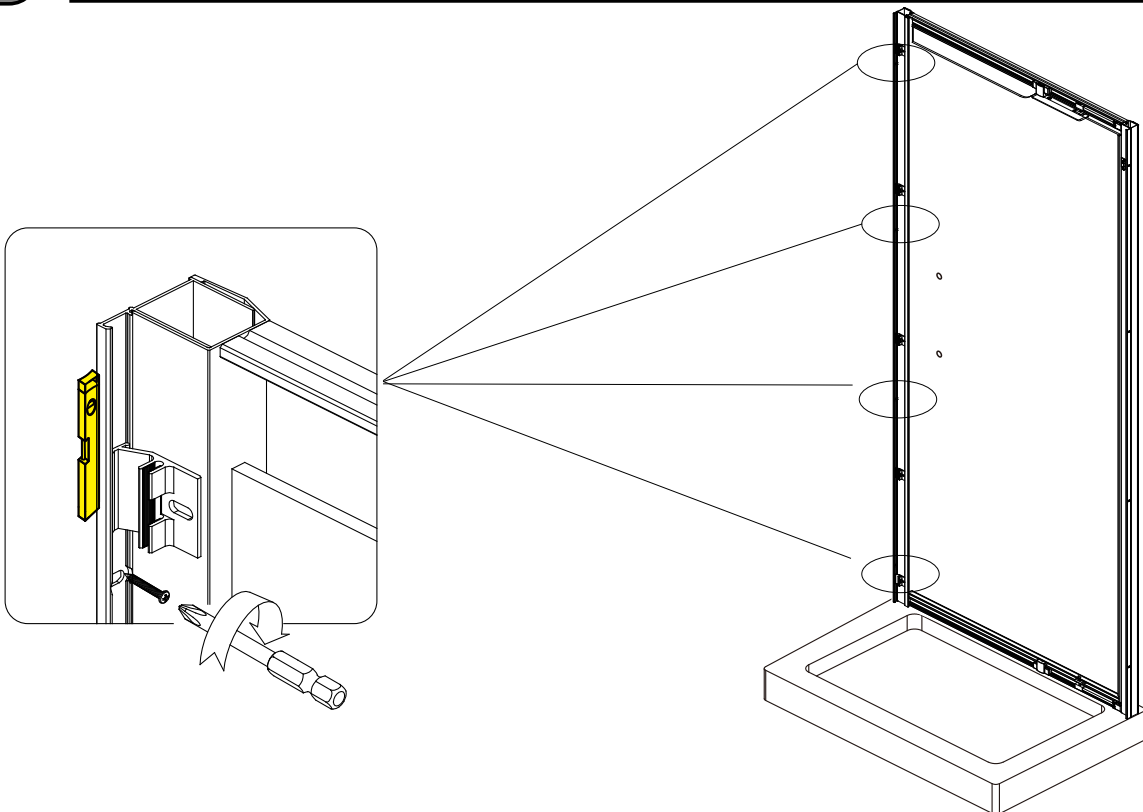
7

7A & 7B Slot the 2nd wall profile onto the upright of the enclosure ready to be fixed when in position.
7C Slot the enclosure into the wall profile

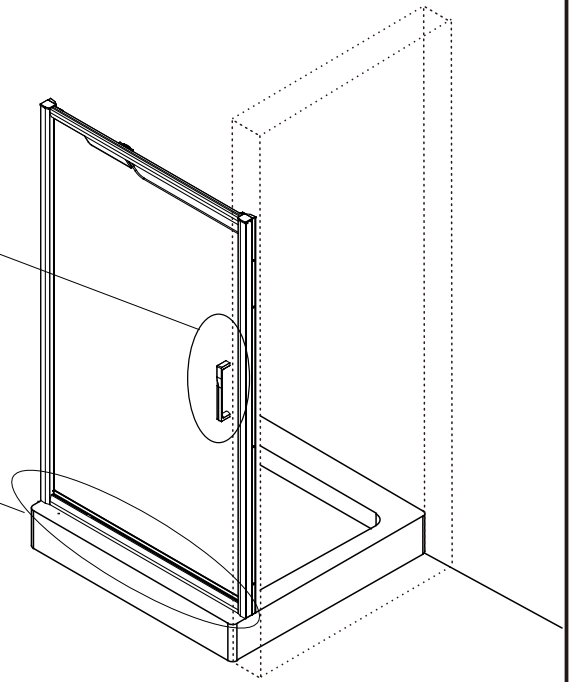
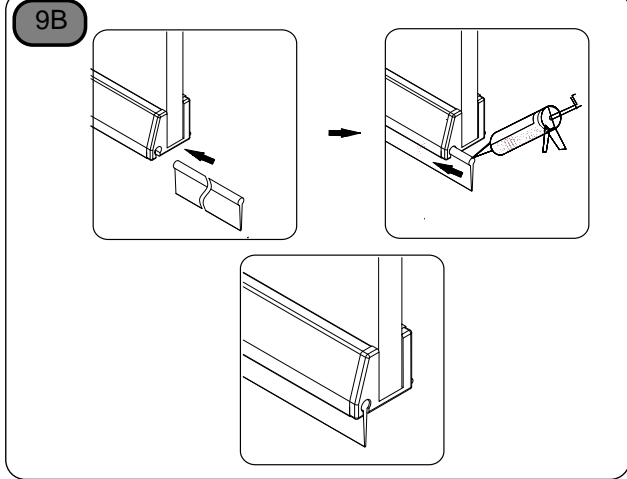
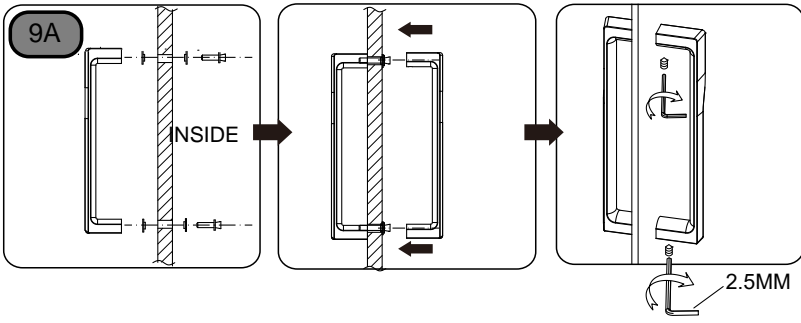


8

Now fix second wall profile.

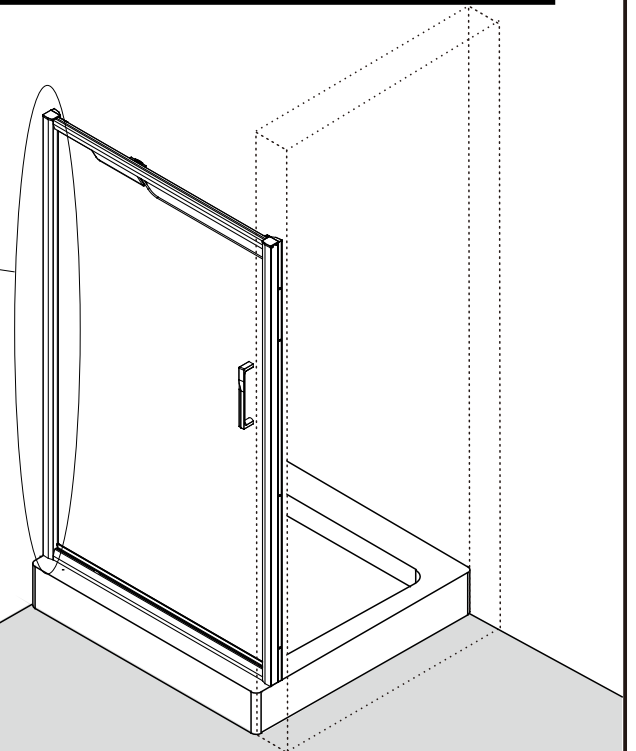
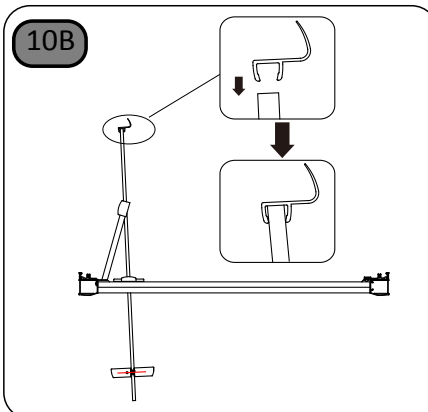
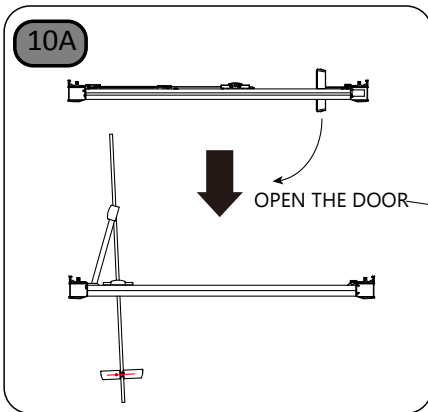


9



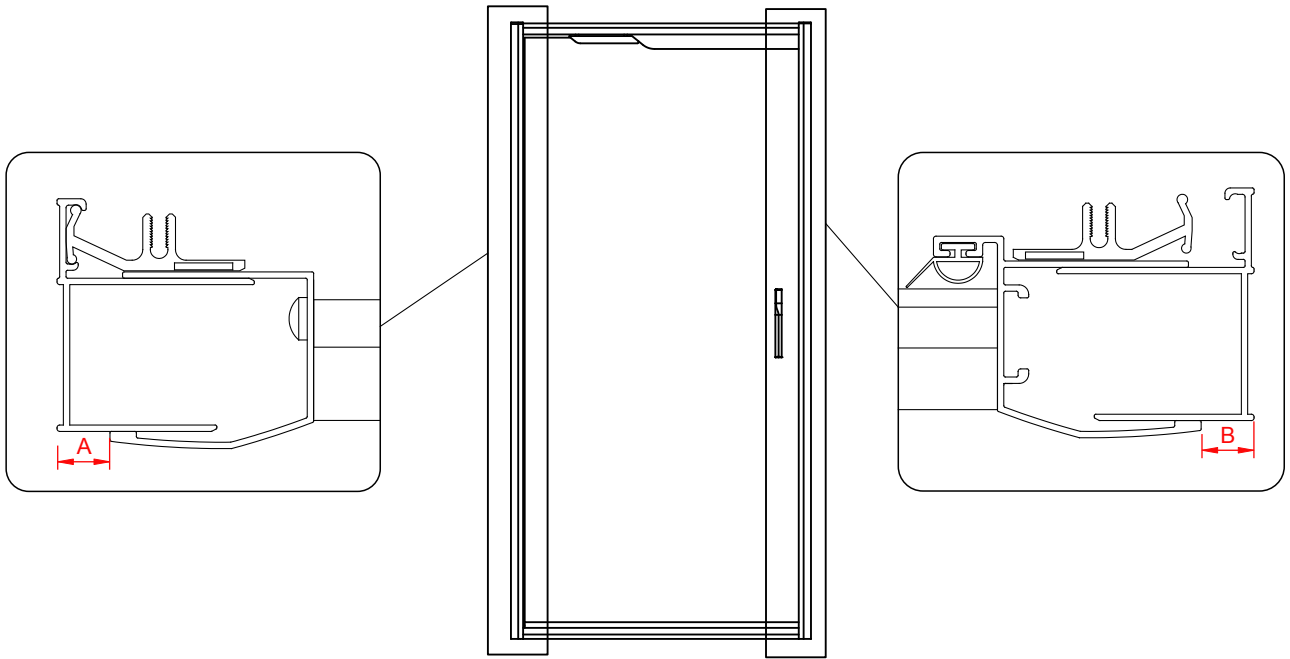
10

To fit seal A6NFPVHSS you will have to open the door making sure the fin is faced to the inside as shown in 10B.



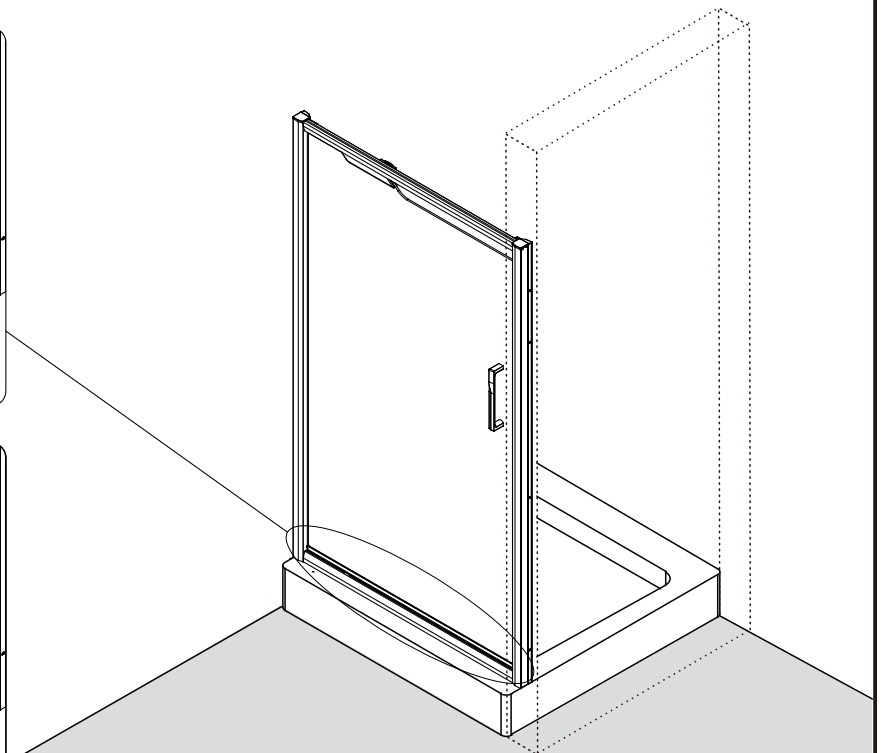
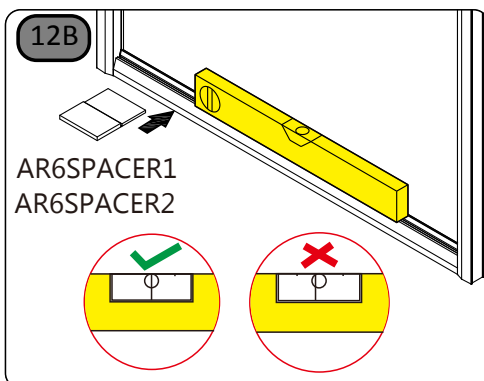
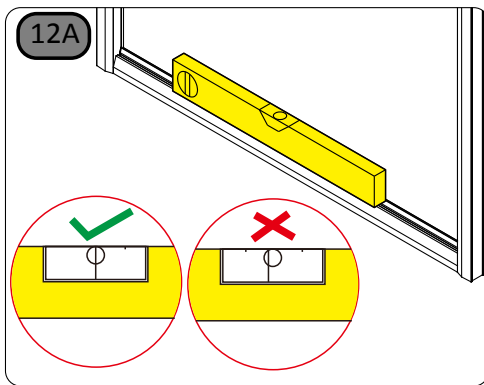
11

Where possible the frame should be adjusted equally on both sides, Max. adjustment of each side (A=B) is **25mm**.



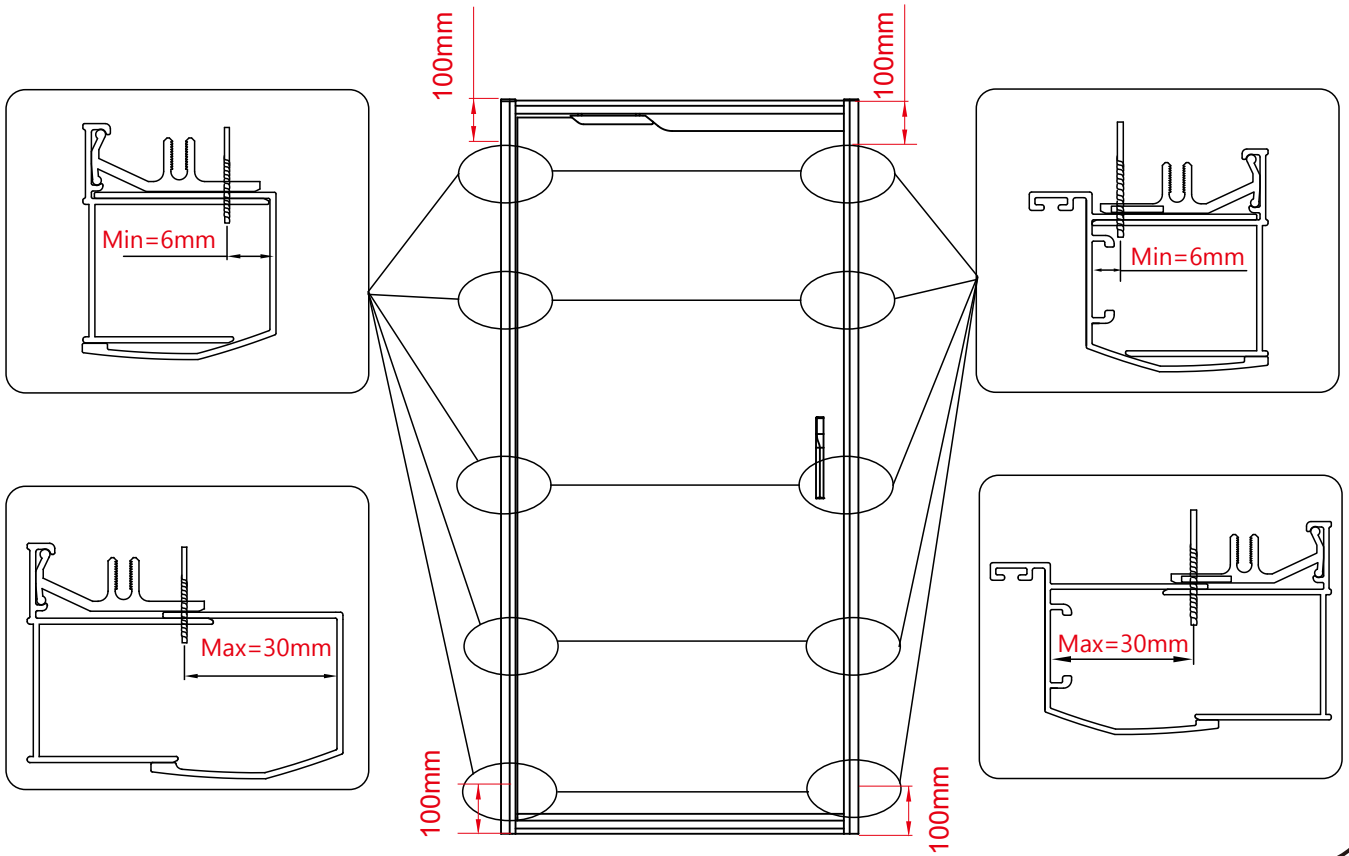
12

Make sure the bottom profile is level. If level continue to step 13. If not level choose a spacer size from AR6SPACER1/A6SPACER2 that returns the profile to level.

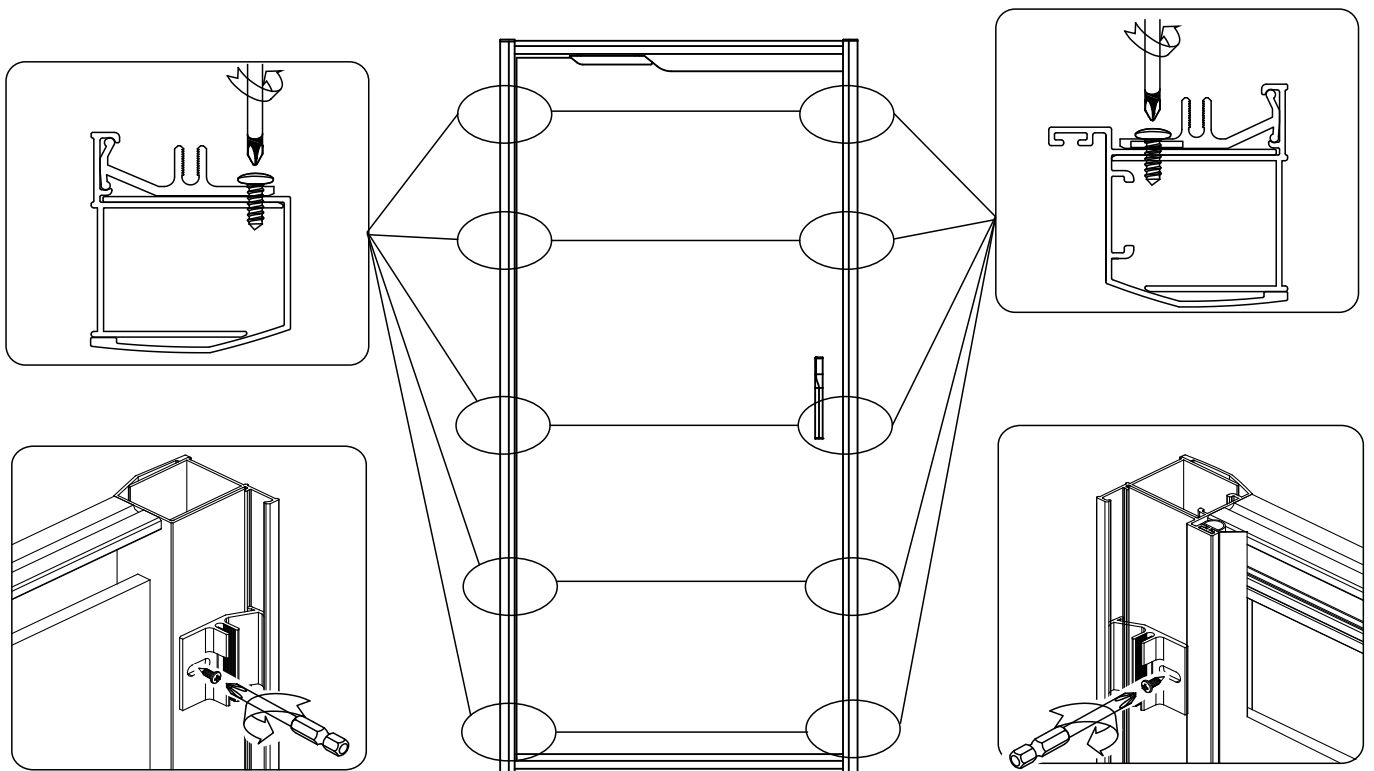


13

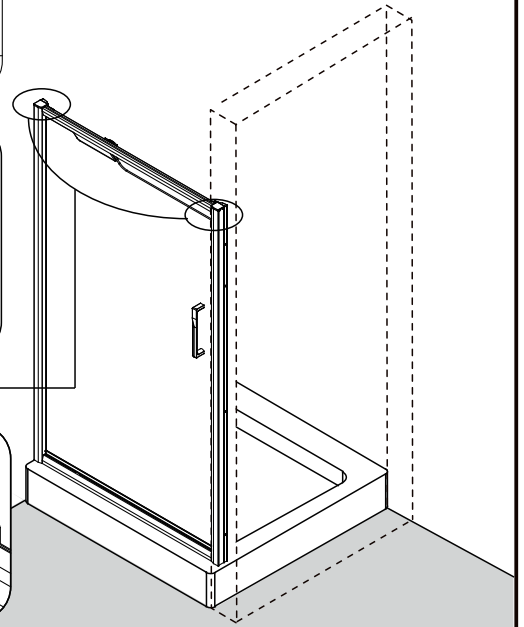
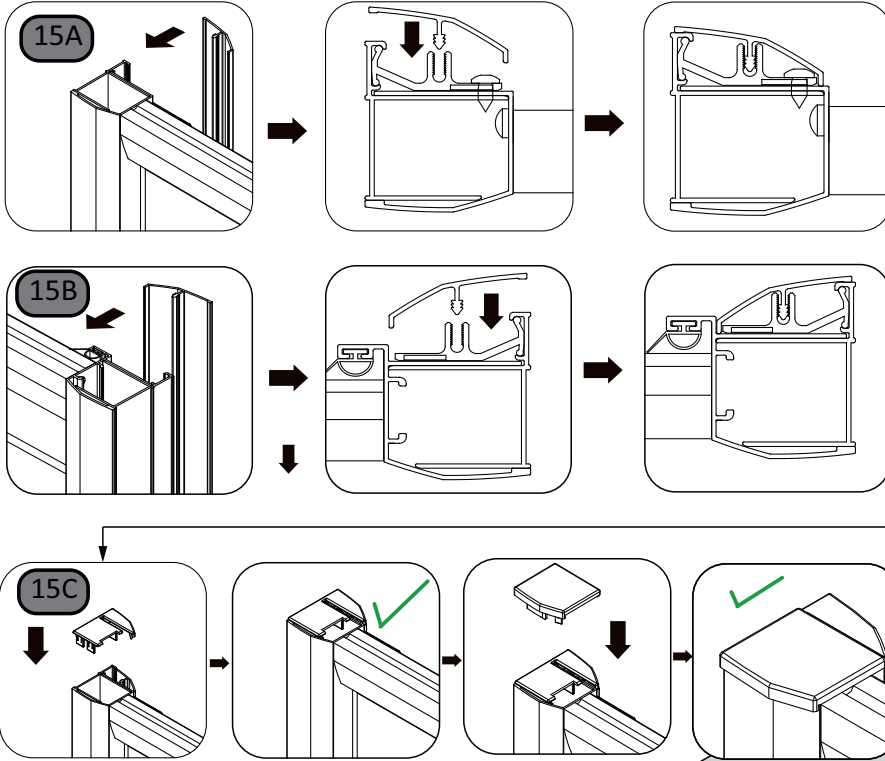
Please note the below min. and max adjustment when drilling your frame fixings.
The top and bottom frame fixing on each profile should be positioned 100mm from each end and then spaced evenly along the profile.



14

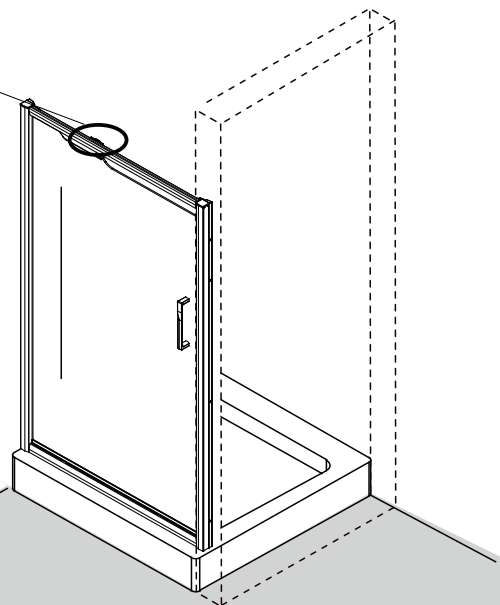
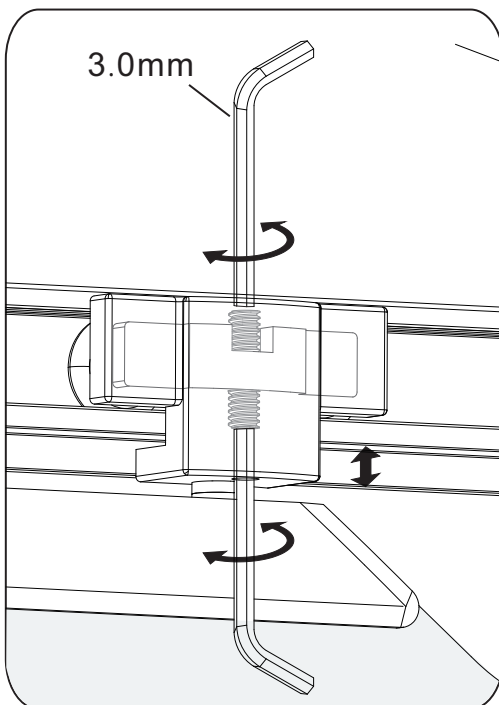


15

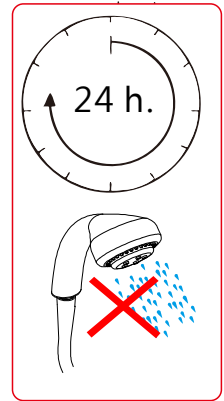
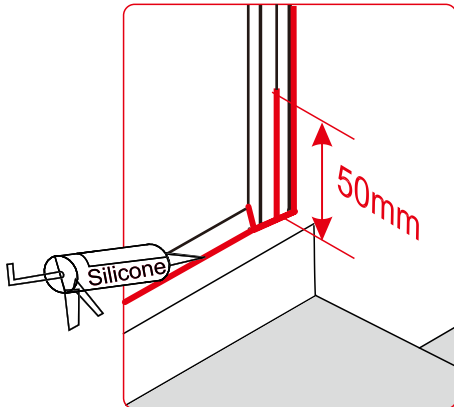
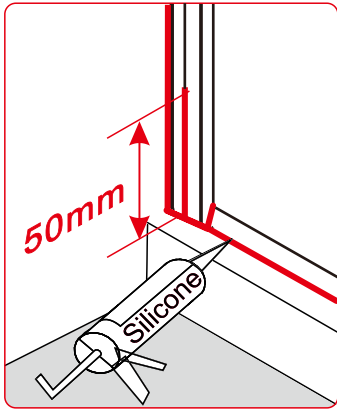


16

If further alignment is necessary use the adjustment screw that can be accessed from the top or bottom of the handle side roller.



17



CLEANING

It is important to clean your Merlyn shower door after every use. Wipe down all the glass and metal parts with a soft cloth. Do not allow lime scale to build up in hard water areas. Ensure that any residual water on the glass is removed after every use.

- Clean the glass regularly using soapy water.
- Do not use abrasive products on any surfaces.

Chrome is vulnerable to acid attack and some strong household cleaners including strong disinfectants, denture cleaners, hair dyes, wine making chemicals and photographic chemicals may contain acid. These materials may have a varying effect on the surface from black spots/streaks (which cannot be removed) to pitting the surface. Contact with these materials should be avoided.

TROUBLE SHOOTING

Door Not Aligning

1. Is the tray 100% level? (see page 5)
2. Have the walls been checked at different levels to ensure consistency? Bumps or hollows in the wall may push the frame out of alignment.
3. Are the wall profiles stepped in a Min. 10mm from the edge of the tray? (see page 6)
4. Do the finished tile measurements at top, middle and bottom fall within the adjustment (X) listed on step 2.

Door Leaking

1. Is the door sealed correctly ? (see step 16)
2. Check to ensure the door frame is 100% square.



Merlyn Industrles Ltd (MER01)	
CEAR6 1.1	
18	
EN 14428	
Shower enclosures with aluminium profiles and safety glass	
Cleanability	: Pass
Impact resistance/ shatter propertles	: Pass
Durablily	: Pass

To download the Declaration of Performance (DOP) for this product use the link below.
<http://merlynshowering.com/aftersales-support/dop-certs/>
For further information contact IRL: 056 7791 888, UK: 0808 1011 429