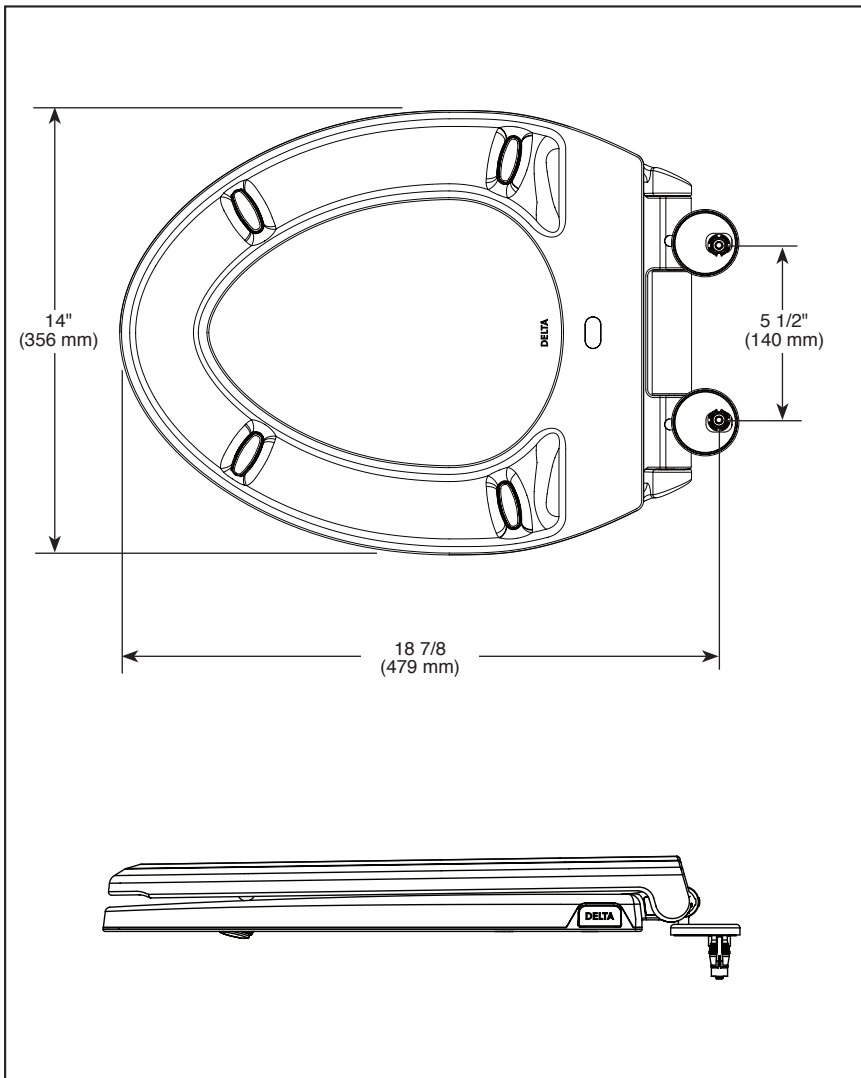


813902N▲

Submitted Model No.: _____

Specific Features: _____



▲ Designate Proper Finish Suffix



NIGHTLIGHT TOILET SEAT

■ Sanborne® Collection

FEATURES:

- Integrated night light illuminates bowl
- Automatic 9-hour timer
- Slow-Close lid and ring prevents slamming
- Quick-Release seat for removal during cleaning
- NoSlip™ bumpers keep seat from shifting
- Fast and secure top-down installation
- Universal fit on most elongated front bowls (~1/2" adjustability)
- Solid construction with added weight for durability

STANDARD SPECIFICATIONS

- Elongated shape
- Battery operated (4 AA's)
- Up to 6 months of battery life
- 5 1/2" (140 mm) seat mounting holes

WARRANTY

- One year warranty on toilet seats

COMPLIES WITH:

- IAPMO / ANSI Z 124.5

Delta reserves the right (1) to make changes in specifications and materials, and (2) to change or discontinue models, both without notice or obligation. Dimensions are for reference only. See current full-line price book or www.deltatoilet.com for finish options and product availability.

DSP-B-813902N Rev. B



55 E. 111th Street, Indianapolis, Indiana 46280
 350 South Edgeware Road, St. Thomas, ON N5P 4L1
 © 2016 Masco Corporation of Indiana