

Installation and Care Guide

Bath with Airjets with Heated Surface

Retain serial number for reference:
Conserver le numéro de série pour référence:
Guarde el número de serie para
referencia: _____
Français, page "Français-1"
Español, página "Español-1"

THE BOLD LOOK
OF **KOHLER**®

1204119-2-D

Installation Instructions



WARNING: When using electrical products, basic precautions should always be followed, including the following:



DANGER: Risk of electric shock. Connect only to a circuit protected by a Ground-Fault Circuit-Interrupter (GFCI)*.

Building materials and wiring should be routed away from the blower body and other heat-producing components of the unit.

Install to permit access for servicing.

A pressure wire connector marked "Earth/Ground" is provided within the wiring compartment. To reduce the risk of electric shock, connect this connector to the grounding terminal of your electric service or supply panel with copper wire equivalent in size to the circuit conductor supplying this equipment.

A pressure wire connector is provided on the exterior of the pump or control within this unit to permit connection of a bonding conductor between this unit and all the other exposed metal in the vicinity, as needed to comply with local requirements.

Grounding is required. The unit should be installed by a qualified service representative, and grounded.



WARNING: Risk of injury or property damage. Please read all instructions thoroughly before beginning installation, including the following requirements.



WARNING: Risk of electric shock. A qualified electrician should make all electrical connections.



WARNING: Risk of electric shock. Disconnect power before servicing.

NOTICE: Follow all local plumbing and electrical codes. In Canada, install this unit in accordance with the Canadian Electrical Code, Part 1.

*Outside North America, this device may be known as a Residual Current Device (RCD).

Product Information

Electrical Requirements



WARNING: Risk of burns, fire, electric shock, or injury. Do not operate the heater if the power supply cord is damaged. For proper guidance to have this product repaired, please call: 1-800-4KOHLER from within the USA or Canada, or 001-800-456-4537 from within Mexico.

The installation must have a Class A Ground-Fault Circuit-Interrupter (GFCI). The GFCI protects against line-to-ground shock hazard. **Use a 120 V, 15 A, 60 Hz dedicated service for the bath.**

If the blower supply cord is damaged, it must be replaced by the manufacturer, its service agent or similarly qualified persons in order to avoid a hazard.

Product Notices

NOTICE: Keep the area around the blower clean and free of debris. Ensure that the area around the blower is free of sawdust, insulation, dirt, and other small loose debris. Such material can block the blower air ducts and reduce the air flow through the blower.

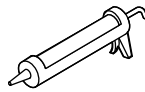
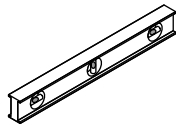
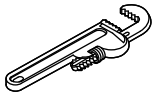
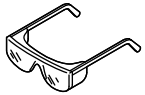
NOTICE: This product contains an automatic water purge mode that turns the blower on for 2 minutes about 30 minutes after the unit is turned off and drained.

Product Information (cont.)

Features

Factory-installed components include a blower motor with power supply cord, air piping, check valve (some models), user keypad, and a heated surface with power supply cord, user keypad, and keypad cable. Other than electrical wiring and plumbing, no assembly is needed.

Tools and Materials



Plus:

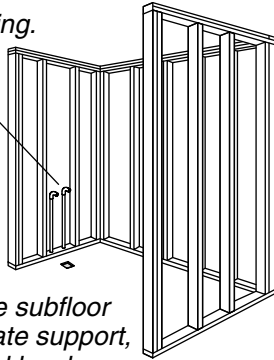
- Conventional Woodworking Tools and Materials
- Drop Cloth
- Construction Adhesive (Optional)
- Cement* or Mortar (Optional)
- 2x4s

* *Do not use gypsum cement.*

100% Silicone Sealant

Alcove

Position the rough plumbing.



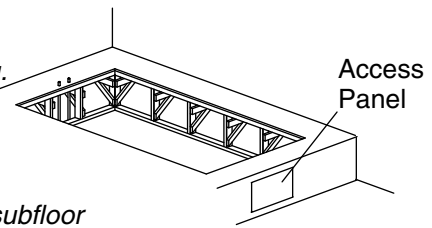
Construct 2x4 stud framing according to the product dimensions.

Verify that the subfloor offers adequate support, and is flat and level.

Drop-In

Position the rough plumbing.

Construct according to the product dimensions.



Verify that the subfloor offers adequate support, and is flat and level.

1. Prepare the Site

NOTICE: Measure your actual product for site preparation. Note the **model number** located on the bath blower, then visit the product page at www.kohler.com for additional information.

NOTICE: Remote blower installation kit K-1446 is available for relocating the blower.

NOTICE: Provide generous, unrestricted access to the blower. You must provide access for servicing the blower. The access must be located immediately next to the blower.

NOTICE: Do not lift the bath by the piping or blower, or use the piping or blower for structural support of the bath. To avoid damage to the bath, lift by the rim at the sides of the bath.

NOTICE: Do not support the weight of the bath by the rim.

NOTICE: Drop-in models are not intended for alcove installation. Use a flanged model for alcove installations.

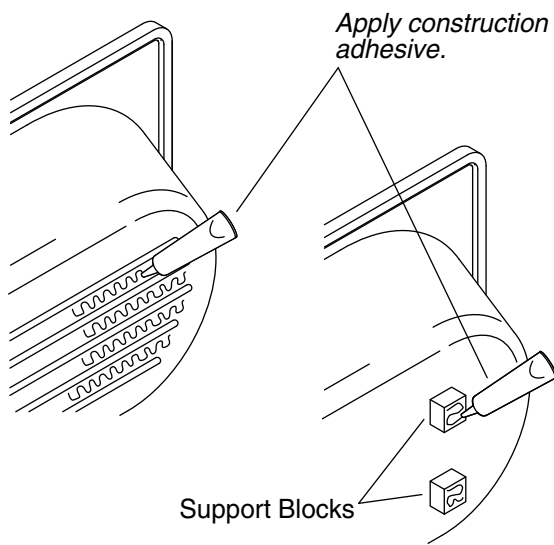
NOTE: Drop-in, alcove, or corner installation is possible, depending on the product chosen.

- Carefully unpack and inspect the new bath for damage before installation. If there is damage do not install the bath; contact your dealer.
- Make sure the flooring offers adequate support for your bath, and verify that the subfloor is flat and level.

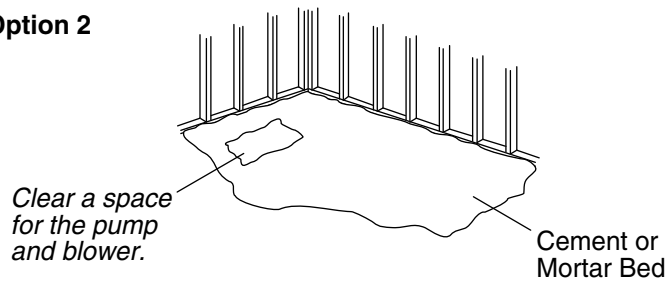
NOTE: For remote blower installations, refer to the installation instructions included with the remote blower installation kit before proceeding.

- Provide adequate ventilation and at least 15 cubic feet (.4 cubic meters) of open air space for cooling the motor and supplying sufficient air to the blower. Do not position the blower motor closer than 1" (25 mm) to the wall or other objects.
- Construct 2x4 stud framing.
- Install an access panel for future blower servicing. The access panel must be at least 30" (762 mm) wide by 15" (381 mm) high.
- Install the rough plumbing.
- Install the drain to the bath according to the drain manufacturer's instructions.
- Protect the bath surface by positioning a clean drop cloth in the basin bottom.

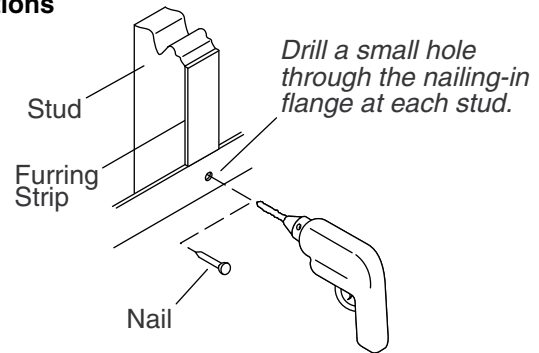
Option 1



Option 2



Alcove Installations



2. Install the Bath

NOTICE: Do not lift the bath by the piping or blower, or use the piping or blower for structural support of the bath. To avoid damage to the bath, lift by the rim at the sides of the bath.

- If the subfloor is not level, shim the bath support blocks or molded supports as necessary.

Option 1: Install Using Construction Adhesive

NOTE: Some models come with support blocks; some models have molded supports.

- Apply a generous amount of high-quality construction adhesive to the bottom of the support blocks or molded supports. With help, carefully lift the bath into position.

Option 2: Using a Cement or Mortar Bed

NOTE: Do not use gypsum cement or drywall compound for this application, as they will not provide an acceptable, durable bond.

- Set the basin area in 1" (25 mm) to 2" (51 mm) of mortar cement.

NOTE: The blower must rest directly on the subfloor. The blower should not be in contact with mortar.

Secure the Nailing-in Flanges (Alcove Units)

- Drill a small pilot hole through the nailing-in flange at each stud. Add shims as needed.
- Use large-head galvanized nails to secure the nailing-in flange to the studs.
- Nail furring strips to the studs.

Install the Plumbing

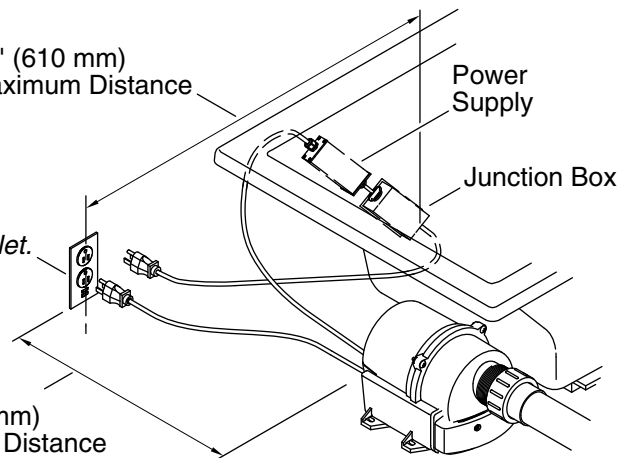
- Insert the drain tailpiece into the trap. Secure the drain tailpiece to the trap.
- Install the faucet valve.
- Check the drain connections for leakage.

*Bond in accordance
with applicable codes.*

*Install a GFCI-protected
120 V, 15 A grounded outlet.*

24" (610 mm)
Maximum Distance

24" (610 mm)
Maximum Distance



3. Make the Electrical Connections



WARNING: Risk of electric shock. Make sure the power has been disconnected before performing the following procedures.



WARNING: Risk of electric shock. Connect the junction box and blower to a properly grounded, grounding-type duplex receptacle protected by a Ground-Fault Circuit-Interrupter (GFCI) or Residual Current Device (RCD). Do not remove the grounding pins from the plugs. Do not use grounding adapters.

NOTICE: The blower and junction box are equipped with cords and plugs. A qualified electrician must install a GFCI- or RCD-protected, 120 V, 15 A, grounded duplex outlet. No other load should be on this circuit.

- Install a duplex electrical outlet behind the bath, at least 1-1/2" (38 mm) above the subfloor, and within reach of the 24" (610 mm) power cord.
- Plug the blower and junction box into this outlet.

4. Complete the Installation

Test Run the Bath

- Operate the heated surface user keypad to test the temperature settings.
- Fill the bath to a level at least 4" (102 mm) above the top of the highest airjet.
- Turn off the bath and let sit for five minutes. Check all bath piping connections for leaks. Check for leakage along the front, sides, and back of the bath.
- Turn on the blower and run for 5 minutes. Check for proper operation and function.
- For additional information on bath and heated surface operation, see the "Operating Instructions - Heated Surface" and "Operating Instructions - Bath With Airjets" sections.

Finish the Installation

- Install water-resistant wallboard and all finished wall, deck, and floor materials.
- Apply silicone sealant to seal all areas where the bath and finished wall or deck meet.
- Install the faucet trim.

Clean-up After Installation

- When cleaning up after installation, **do not use abrasive cleansers**, as they may scratch and dull the bath surface. Use warm water and a liquid detergent to clean the surface of the bath.

Complete the Installation (cont.)

- Remove stubborn stains or paint with turpentine or paint thinner. **Do not allow cleaners containing petroleum distillates to remain in contact with any bath surface for long periods of time.** Remove plaster by carefully scraping with a wood edge. Do not use metal scrapers, wire brushes, or other metal tools. Use a powder-type detergent on a damp cloth to provide mild abrasive action to any residual plaster.

Important Safety Instructions

READ AND FOLLOW ALL INSTRUCTIONS

SAVE THESE INSTRUCTIONS

INSTRUCTIONS PERTAINING TO A RISK OF FIRE, ELECTRIC SHOCK, OR INJURY TO PERSONS



WARNING: When using electrical products, basic precautions should always be followed, including the following:



DANGER: Risk of accidental injury or drowning. To reduce the risk of injury, do not permit children to use this unit unless they are closely supervised at all times.



WARNING: Risk of personal injury. To avoid injury, exercise care when entering or exiting the bath.



WARNING: Risk of electric shock. Do not permit electric appliances (such as a hair dryer, lamp, telephone, radio, or television) within 5' (1.5 m) of this bath.



WARNING: The use of alcohol, drugs, or medication can greatly increase the risk of fatal hyperthermia. Prolonged immersion in hot water may induce hyperthermia. Hyperthermia occurs when the internal temperature of the body reaches a level several degrees above the normal body temperature of 98.6°F (37°C). The symptoms of hyperthermia include an increase in the internal temperature of the body, dizziness, lethargy, drowsiness, and fainting. The effects of hyperthermia include: (a) failure to perceive heat, (b) failure to recognize the need to exit the bath, (c) unawareness of impending hazard, (d) fetal damage in pregnant women, (e) physical inability to exit the bath, and (f) unconsciousness resulting in the danger of drowning.



WARNING: Risk of fetal injury. Pregnant or possibly pregnant women should consult a physician before using the bath.



WARNING: Risk of hyperthermia or drowning. Do not use the bath immediately following strenuous exercise.



WARNING: Risk of hyperthermia or drowning. Water temperature in excess of 100°F (38°C) may cause injury. Test and adjust the water temperature before use.



WARNING: Risk of personal injury. Never drop or insert any object into any opening.

Use this bath only for its intended purpose as described in this guide. Do not use attachments not recommended by Kohler Co.

The bath must be connected only to a supply circuit that is protected by a Ground-Fault Circuit-Interrupter (GFCI)*. Such a GFCI should be provided by the installer and should be tested on a routine basis. To test the GFCI, press the test button. The GFCI should interrupt power. Press the reset button. Power should be restored. If the GFCI fails to operate in this manner, the GFCI is defective. If the GFCI interrupts power to the bath without the test button being pressed, a ground current is flowing, indicating the possibility of an electric shock. Do not use this bath. Disconnect the bath and have the problem corrected by a qualified service representative before using.

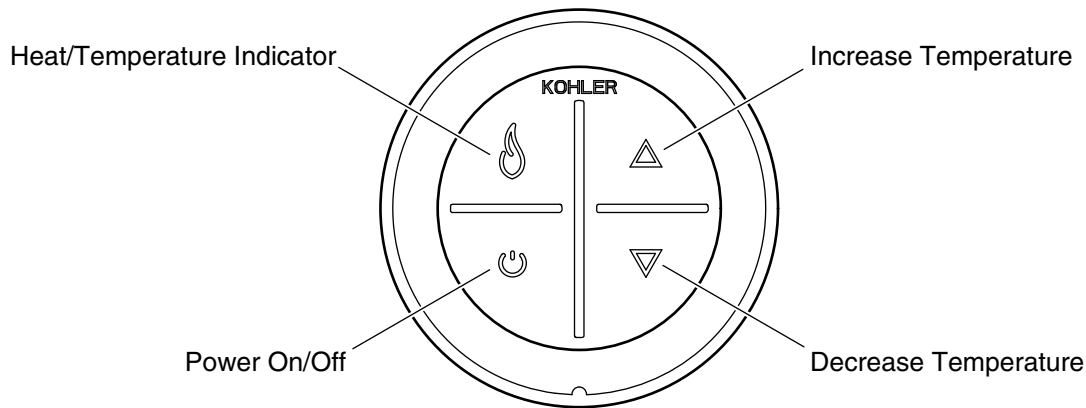
Important Safety Instructions (cont.)

Flush your whirlpool system twice a month or more depending upon usage, as described in the "Flush the System" section of this guide.

Repeated use of personal care products containing oils can damage plastic whirlpool components. Avoid using bath oils.

Whirlpool hydro-massage action can cause even a small amount of bubble bath, bath soap, shampoo, or bath oil to foam excessively. For this reason, please do not use these products during whirlpool operation.

*Outside North America, this device may be known as a Residual Current Device (RCD).



Operating Instructions - Heated Surface

Keypad Operation

- **Power Icon** - Turns the heater on and off.
- **Heat/Temperature Indicator** - The [Flame] icon illuminates yellow, orange, or red depending on the heat level. Yellow indicates low heat, orange indicates medium heat, and red indicates high heat.
- **Up Arrow** - Increases the temperature.
- **Down Arrow** - Decreases the temperature.

NOTICE: The heater will remain on until it is manually turned off by pressing the [Power] icon.

NOTE: After 60 minutes of inactivity, the heater will automatically reset to low heat if the temperature was set to medium or high.

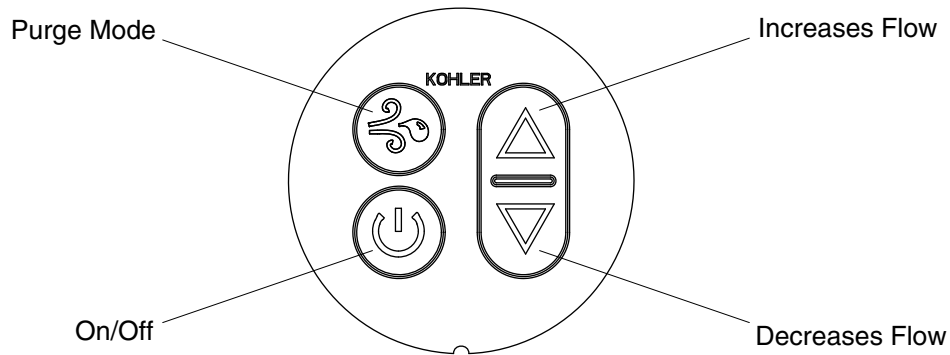
NOTE: The heater will turn on at the last selected temperature setting.

Error Codes

- **Heat indicator blinking red** - The heater is not functioning.
- **Heat indicator blinking yellow** - The temperature sensor is not functioning or is loose.
- Refer to the "Troubleshooting" section to troubleshoot any problems.

Confirm Heating System Operation

- Press the [Power] icon on the user keypad.
- Observe that the heat indicator turns yellow and the heater produces low heat.
- Press the [Up] arrow. Verify that the heat indicator turns orange and the temperature increases.
- Press the [Up] arrow a second time. Verify that the heat indicator turns red and the temperature increases.
- Press the [Down] arrow. Verify that the heat indicator turns orange and the temperature decreases.
- Press the [Down] arrow a second time. Verify that the heat indicator turns yellow and the temperature decreases.
- Press the [Power] icon to turn the heater off.



Operating Instructions - Bath With Airjets

IMPORTANT! This product contains an automatic water purge mode that turns the blower on for 2 minutes approximately 30 minutes after the unit is turned off and drained.

NOTE: The water temperature in the bath should never exceed 104°F (40°C).

- Close the drain, then fill the bath at least 4" (102 mm) above the top of the highest airjet.
- Use your hand to test the water temperature for comfort and safety, then carefully enter the bath.
- Press the [On/Off] icon to turn the blower on at medium speed.
- Press the [Up] or [Down] arrow icons to increase or decrease the air flow.

NOTE: The blower will turn off automatically following 20 minutes of operation, and can be immediately restarted if desired.

- Press the [On/Off] icon a second time to turn off the blower.
- Carefully exit and drain the bath.
- Press the [Purge Mode] icon to blow remaining water from the air channels. The blower will turn on for 2 minutes and then turn off automatically.

NOTE: About 30 minutes after the blower motor stops, a 2 minute purge mode will automatically start.

NOTE: If the bath does not function properly, refer to the "Troubleshooting" section.

Care and Cleaning

- **Do not use powdered cleaners unless the cleaner is fully dissolved in water.** Solid substances could block the airjets.
- **Do not use full strength bleach or ammonia cleaning solutions.** Chemically active cleaning solutions can damage the bath surface.
- **Do not use abrasive cleansers or solvents on acrylic surfaces.** Abrasive cleaners and solvents can damage the bath surface.
- Wipe out your acrylic bath with a soft cloth after each use.
- Avoid detergents, disinfectants, or cleaning products in aerosol cans.

NOTE: To restore dull or scratched units: Apply white automotive polishing compound with a clean rag. Rub scratches and dull areas vigorously. Wipe off residue. Follow with a coat of white automotive paste wax. Do not wax areas where you walk or stand.

Care and Cleaning (cont.)

Cleaning Your User Keypad and Remote Control

- Use a soft cloth to wipe the keypad and remote control after each use. If the surface becomes dirty, use a non-abrasive soap and warm water to clean.

Maintaining the Airjets

- If cleaning the airjets is required due to hard water deposits, use a small between-the-teeth dental brush and white vinegar. Dip the brush in the vinegar, brush the hole, rinse the brush in clean water, and then use the wet rinsed brush to rinse the hole.
- Fill the bath with water to the top row of airjets. Drain the bath and press the purge button.

For detailed cleaning information and products to consider, visit www.kohler.com/clean. To order Care & Cleaning information, call 1-800-456-4537.

Troubleshooting

NOTICE: This section is for general aid only. A Kohler Co. Authorized Service Representative or qualified electrician should correct any electrical problems. For warranty service, call 1-800-4KOHLER from within the USA and Canada, or 001-800-456-4537 from within Mexico.

For service parts information, visit your product page at www.kohler.com/serviceparts.

Bath With Airjets System

Symptoms	Probable Causes	Recommended Action
1. Blower turns on by itself after the bath has been drained.	A. Normal operation. Automatic purge mode is working as designed.	A. No action is required. Automatic purge mode runs for 2 minutes 30 minutes after the bath is drained.
2. Blower turns off by itself after running for 2 minutes.	A. The Purge Mode icon was pressed instead of the On/Off icon.	A. Press the On/Off icon on the keypad. See the "Operating Instructions" section.
3. Blower motor will not start.	A. Power cord from blower motor is loose, disconnected, or damaged.	A. Check wiring for proper connections.
	B. User keypad cable loose or damaged.	B. Check wire connections. If necessary, replace user keypad cable.
	C. User keypad does not work.	C. Replace user keypad.
	D. Blower motor does not work.	D. Replace the blower motor.
4. Blower motor stops running and will not immediately restart.	A. Blower motor overheated and protection device activated.	A. Check for blockage at blower air intake. Remove blockage and allow motor to cool.
5. Blower motor starts, some but not all airjets are working.	A. Blower motor speed is too low.	A. Increase speed.
	B. Blower motor inlet is blocked.	B. Clean blower motor inlet.
	C. Blower motor does not work.	C. Replace the blower motor.
	D. Blower motor discharge is blocked.	D. Clear blockage.
	E. Airjets are clogged.	E. Use a small between-the-teeth dental brush and white vinegar. Dip the brush in the vinegar, brush the hole, rinse the brush in clean water, and then use the wet rinsed brush to rinse the hole.

Troubleshooting (cont.)		
Symptoms	Probable Causes	Recommended Action
6. Blower motor runs but no air bubbles are observed.	A. Blower motor inlet is blocked.	A. Clean blower motor inlet.
	B. Airjets are clogged.	B. Use a small between-the-teeth dental brush and white vinegar. Dip the brush in the vinegar, brush the hole, rinse the brush in clean water, and then use the wet rinsed brush to rinse the hole.
	C. Blower motor does not work.	C. Replace the blower motor.
7. Blower motor operates, air bubbles are observed, but speed feature does not work.	A. Blower motor inlet is blocked.	A. Clean blower motor inlet.
	B. Loose, disconnected, or damaged wiring harness.	B. Check wiring for proper connections. Replace the wiring harness if necessary.
	C. User keypad does not work.	C. Replace the user keypad.
	D. Blower motor does not work.	D. Replace the blower motor.
8. Blower motor does not turn off when the On/Off button is pressed.	A. User keypad does not work.	A. Replace the user keypad.
	B. Loose, disconnected, or damaged wiring harness.	B. Check wiring for proper connections. Replace the wiring harness if necessary.
	C. Control does not work.	C. Replace the control.
9. Purge mode does not work.	A. User keypad does not work.	A. Replace the user keypad.
	B. Control does not work.	B. Replace the control.
10. Bath does not purge automatically.	A. Blower does not work.	A. Replace the blower.
Heated Surface		
Symptoms	Probable Causes	Recommended Action
11. Heated bath does not turn on.	A. No power to power supply.	A. Set/reset GFCI or RCD breaker; check wiring.
	B. User keypad cable loose or damaged.	B. Check wire connections. If necessary, replace user keypad cable.
	C. User keypad does not work.	C. Check wire connections. Replace user keypad.
	D. Power supply does not work.	D. Replace power supply.
12. Bath is turned on, but there is little or no heat.	A. Heater cable loose or damaged.	A. Check wire connections. If necessary, replace heater cable.
	B. Heater/insulation loose on the bath.	B. Secure the heater/insulation to the bath.
	C. Heat indicator is yellow or orange.	C. Press the [Up] arrow to increase temperature.
	D. Heater does not work.	D. Replace the heater.
	E. Temperature sensor does not work.	E. Replace the heater.
13. Temperature does not automatically reset to low after 1 hour.	A. Temperature sensor does not work.	A. Replace the heater and/or keypad.
14. Heat indicator is blinking red.	A. Heating system needs to be reset.	A. Press the [Power] icon to turn the power off. Wait 10 seconds, then turn the power on.
	B. Heater does not work.	B. Replace the heater.
15. Heat indicator is blinking yellow.	A. Heating system needs to be reset.	A. Press the [Power] icon to turn the power off. Wait 10 seconds, then turn the power on.

Troubleshooting (cont.)

Symptoms	Probable Causes	Recommended Action
	B. Temperature sensor does not work.	B. Replace the heater.

Warranty

ONE-YEAR LIMITED WARRANTY

KOHLER plumbing products are warranted to be free of defects in material and workmanship for one year from date of installation.

Kohler Co. will, at its election, repair, replace or make appropriate adjustment where Kohler Co. inspection discloses any such defects occurring in normal usage within one (1) year after installation. Kohler Co. is not responsible for removal or installation costs. **Use of in-tank toilet cleaners will void the warranty.**

To obtain warranty service contact Kohler Co. either through your Dealer, Plumbing Contractor, Home Center or E-tailer, or by writing Kohler Co., Attn.: Customer Care Center, 444 Highland Drive, Kohler, WI 53044, USA, or by calling 1-800-4-KOHLER (1-800-456-4537) from within the USA and Canada, and 001-800-456-4537 from within Mexico, or visit www.kohler.com within the USA, www.ca.kohler.com from within Canada, or www.mx.kohler.com in Mexico.

IMPLIED WARRANTIES INCLUDING THAT OF MERCHANTABILITY AND FITNESS FOR A PARTICULAR PURPOSE ARE EXPRESSLY LIMITED IN DURATION TO THE DURATION OF THIS WARRANTY. KOHLER CO. AND/OR SELLER DISCLAIM ANY LIABILITY FOR SPECIAL, INCIDENTAL OR CONSEQUENTIAL DAMAGES. Some states/provinces do not allow limitations on how long an implied warranty lasts, or the exclusion or limitation of special, incidental or consequential damages, so these limitations and exclusions may not apply to you. This warranty gives you specific legal rights. You may also have other rights which vary from state/province to state/province.

This is Kohler Co.'s exclusive written warranty.

Warranty

For Mexico

KOHLER CO.

It is recommended that at the time of purchase, you verify that all accessories and components are complete in this package.

This Kohler product is warranted to be free of defects in material and workmanship for one (1) year from the date of purchase as shown on the invoice or receipt.

1. Kohler Co. will only service its commercialized products through its authorized distributors.
2. To obtain warranty service, please present the invoice and corresponding warranty.
3. Through its authorized distributors, Kohler Co. promises to repair the defective product or provide a new replacement or an equivalent model (in those cases that the model has been discontinued) when the product is beyond repair, without any charge to the consumer.
4. The time of repair will not exceed six (6) weeks commencing on the date the product is received.
5. It is recommended that the consumer save the invoice or receipt as additional protection, as it may substitute the warranty in the case that there is a discrepancy in the validity of the warranty.

EXCEPTIONS AND RESTRICTIONS

The Warranty will not be valid in the following cases:

1. When the product is not operated in accordance with the instructions concerning use and operation set

Warranty (cont.)

forth in the owner's manual or installation instructions, and when the recommendations and warnings included are not observed.

2. When the product has been modified or dismantled partially or totally; or has been used in a negligent fashion and as a consequence has suffered damages attributable to the consumer, individual, or hardware not authorized by Kohler Co.

3. This warranty does not cover the damages as a result of disaster such as fire or acts of God, including flooding, earthquake, or electric storms, etc. To obtain a list of distributors in your area where you can exercise your rights under this warranty, please call 001-800-456-4537.

KOHLER CO., KOHLER, WI 53044 U.S.A.

IMPORTER:

COMERCIALIZADORA INTERCERAMIC, S.A. DE C.V.

AV. CARLOS PACHECO NO. 7200, COL. MADERA 65

CHIHUAHUA, CHIH., MEXICO C.P. 31060

R.F.C. CIN141022IE9

TEL: 52 (614) 429-11-11

IMPORTER:

GAMA MATERIALES Y ACEROS, S.A. DE C.V.

AVE LOS ANGELES NO. 1800

COL VALLE DEL NOGALAR, SAN NICOLAS DE LOS GARZA

N.L. MEXICO

R.F.C. GMA901220U11

TEL: 81-1160-5500

Guide d'installation et d'entretien

Baignoire avec jets d'air et surface chauffée

Instructions d'installation



AVERTISSEMENT: Lors de l'utilisation de produits électriques, toujours observer les précautions de base, notamment:



DANGER: Risque de choc électrique. Raccorder uniquement à un circuit protégé par un disjoncteur de fuite de terre (GFCI)*.

Les matériaux de construction et le câblage doivent être acheminés loin du souffleur et des autres composants qui dégagent de la chaleur de l'appareil.

Installer de façon à permettre un accès pour l'entretien.

Un connecteur à pression pour câbles marqué "Earth/Ground" (Terre/Masse) est fourni dans le compartiment de câblage. Afin de réduire les risques de choc électrique, raccorder ce connecteur à une borne de terre du panneau de service électrique ou du panneau d'alimentation avec un câble en cuivre ayant la même dimension que le conducteur du circuit qui alimente cet équipement.

Un connecteur à pression pour câbles est fourni à l'extérieur de la pompe ou de la commande de cet appareil afin de permettre la connexion d'un conducteur de mise à la terre entre cet appareil et toutes les autres surfaces de métal avoisinantes, tel que requis par les réglementations locales.

Une mise à la terre est requise. L'appareil doit être installé par un représentant qualifié et doit être mis à la terre.



AVERTISSEMENT: Risque de blessures ou d'endommagement du matériel. Toutes les instructions doivent être lues avec la plus grande attention avant de commencer l'installation, et toutes les conditions suivantes doivent être respectées.



AVERTISSEMENT: Risque de choc électrique. Un électricien qualifié doit effectuer toutes les connexions électriques.



AVERTISSEMENT: Risque de choc électrique. Déconnecter l'alimentation électrique avant d'effectuer un entretien.

AVIS: Respecter tous les codes de plomberie et électriques locaux. Installer cet appareil conformément au Code canadien de l'électricité, Partie 1.

* Hors de l'Amérique du Nord, ce dispositif peut être connu sous le nom de dispositif à courant résiduel (RCD).

Information sur le produit

Installations électriques requises



AVERTISSEMENT: Risque de brûlures, d'incendie, d'électrocution ou de blessures. Ne pas faire fonctionner le chauffage si le cordon d'alimentation est endommagé. Pour obtenir une assistance adéquate pour la réparation de ce produit, appeler: 1-800-4KOHLER à partir des É.-U. ou du Canada, ou le 001-800-456-4537 à partir du Mexique.

Cette installation doit être munie d'un disjoncteur de fuite de terre (GFCI) de classe A. Le disjoncteur GFCI protège contre les risques d'électrocution fil sous tension-terre. **Utiliser une alimentation de 120 V, 15 A, 60 Hz dédiée à la baignoire.**

Information sur le produit (cont.)

Si le câble d'alimentation du souffleur est endommagé, il doit être remplacé par le fabricant, son représentant ou des professionnels qualifiés dans ce domaine afin d'éviter tout danger.

Notices du produit

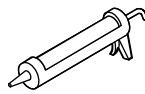
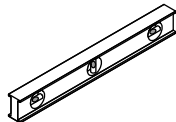
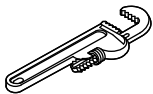
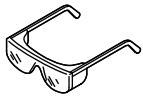
AVIS: Garder l'espace autour du souffleur propre et exempt de débris. S'assurer que l'espace autour du souffleur est exempt de sciure, de matériau isolant, de saleté ou d'autres petits débris volatiles. De tels matériaux pourraient boucher les conduits d'air du souffleur et réduire le débit d'air à travers le souffleur.

AVIS: Ce produit comprend un mode de purge d'eau automatique qui met le souffleur en marche pendant 2 minutes, 30 minutes environ après l'arrêt et la vidange du dispositif.

Caractéristiques

Les composants installés à l'usine incluent un moteur de souffleur avec un cordon d'alimentation électrique, une tuyauterie pneumatique, une soupape à clapet (certains modèles), un clavier utilisateur, et une surface chauffée avec un cordon d'alimentation électrique, un clavier utilisateur, et un câble de clavier. Aucun montage n'est nécessaire, sauf le câblage électrique et la plomberie.

Outils et matériel



Plus:

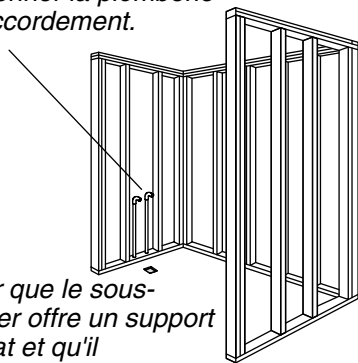
- Matériaux et outils à bois classiques
- Toile de protection
- Colle mastic (optionnelle)
- Ciment* ou mortier (optionnel)
- Des 2x4

* Ne pas utiliser de plâtre dur.

Mastic à la silicone à 100%

Alcôve

Positionner la plomberie de raccordement.



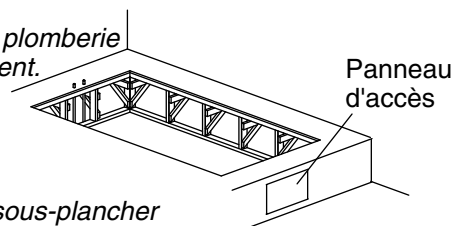
Vérifier que le sous-plancher offre un support adéquat et qu'il est plat et nivelé.

À encastrer par le dessus

Construire une charpente à montants de 2x4 selon les dimensions du produit.

Positionner la plomberie de raccordement.

Effectuer la construction selon les dimensions du produit.



Vérifier que le sous-plancher offre un support adéquat et qu'il est plat et nivelé.

1. Préparer le site

AVIS: Mesurer le produit en question pour la préparation du site. Noter le **numéro de modèle** se trouvant sur le souffleur de la baignoire, puis visiter la page des produits sur le site www.kohler.com pour obtenir de l'information supplémentaire.

AVIS: Le kit K-1446 d'installation du souffleur à distance est disponible pour le changement de positionnement du souffleur.

AVIS: Fournir un large espace non restreint pour pouvoir accéder au souffleur. Un accès doit être fourni pour l'entretien du souffleur. L'accès doit être situé juste à côté du souffleur

AVIS: Ne pas soulever la baignoire par la tuyauterie ou le souffleur, et ne pas utiliser ceux-ci comme support structurel de la baignoire. Afin d'éviter tout endommagement de la baignoire, soulever celle-ci par les côtés.

AVIS: Ne pas supporter le poids de charge de la baignoire par le rebord.

AVIS: Les modèles à encastrer par le dessus ne sont pas destinés à être installés en alcôve. Utiliser un modèle à bride pour les installations en alcôve.

REMARQUE: Une installation à encastrer par le dessus, en alcôve ou en coin est possible, selon le produit choisi.

- Déballez et examinez soigneusement la nouvelle baignoire afin d'y déceler tout dommage avant d'effectuer l'installation. Si des dommages sont notés, ne pas installer la baignoire; contacter le concessionnaire.
- S'assurer que le plancher offre un support adéquat pour la baignoire et vérifier que le sous-plancher est plat et nivelé.

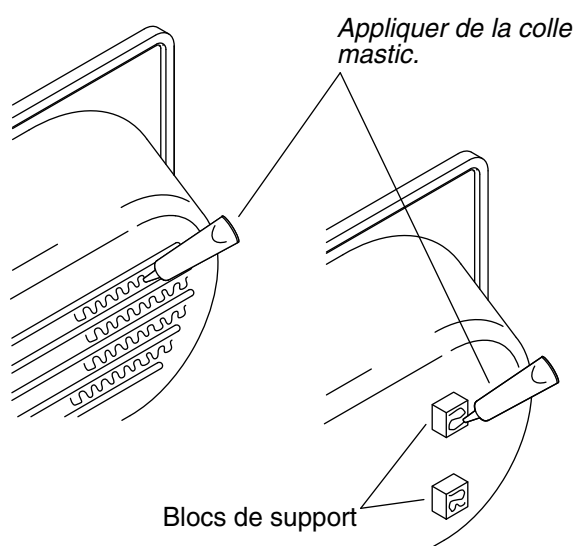
REMARQUE: Pour les installations à distance du souffleur, consulter les instructions d'installation accompagnant le kit d'installation du souffleur avant de continuer.

- Fournir une ventilation adéquate et 15 pieds cube (0,4 mètre cube) au moins d'espace d'air ouvert pour le refroidissement du moteur et pour fournir assez d'air au souffleur. Ne pas positionner le moteur du souffleur à une distance plus proche de 1" (25 mm) du mur ou d'autres objets.
- Construire une charpente avec des montants de 2 x 4.
- Installer un panneau d'accès pour permettre un entretien futur de la pompe. Le panneau d'accès doit avoir une largeur de 30" (762 mm) et une hauteur de 15" (381 mm) au moins.
- Installer la tuyauterie de raccordement.
- Installer le drain sur la baignoire conformément aux instructions du fabricant du drain.

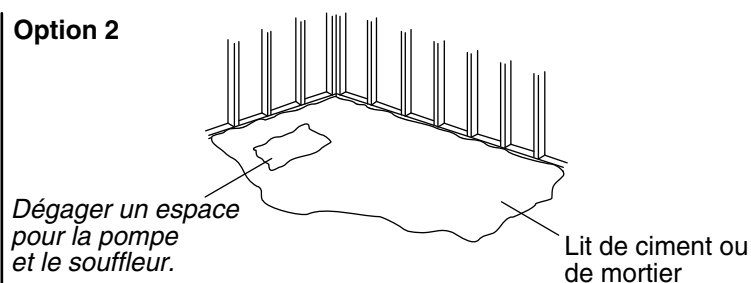
Préparer le site (cont.)

- Protéger la surface de la baignoire en plaçant une toile de protection propre dans le bas du bassin.

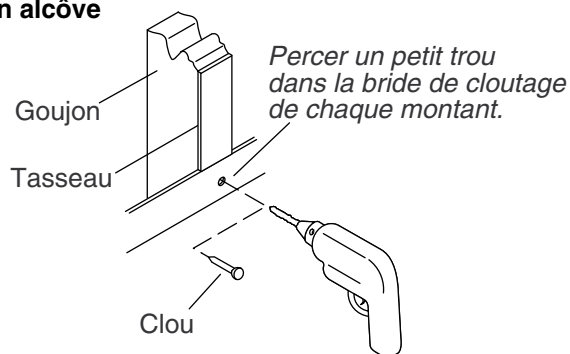
Option 1



Option 2



Installations en alcôve



2. Installer la baignoire

AVIS: Ne pas soulever la baignoire par la tuyauterie ou le souffleur, et ne pas utiliser ceux-ci comme support structurel de la baignoire. Afin d'éviter tout endommagement de la baignoire, soulever celle-ci par les côtés.

- Si le sous-plancher n'est pas nivelé, placer des blocs de support ou des supports moulés sous la baignoire, selon les besoins.

Option 1: Effectuer l'installation en utilisant de la colle mastic

REMARQUE: Certains modèles sont dotés de blocs de support; d'autres modèles ont des supports moulés.

- Appliquer une quantité suffisante de colle mastic de haute qualité sur la base des blocs de support ou des supports moulés. Avec de l'aide, lever la baignoire avec précaution et la positionner.

Option 2: Utilisation de lit de ciment ou de mortier

REMARQUE: Ne pas utiliser de plâtre dur ou un mélange pour cloison sèche pour cette installation, car ces produits ne fournissent pas de scellement acceptable et durable.

- Placer la zone du bassin dans du ciment à maçonner de 1" (25 mm) à 2" (51 mm).

REMARQUE: Le souffleur doit s'appuyer directement sur le sous-plancher. Le souffleur ne doit pas entrer en contact avec le mortier.

Fixer les brides de cloutage en place (dispositifs en alcôve)

- Percer un petit trou-pilote à travers la bride de cloutage de chaque montant. Utiliser des cales selon les besoins.
- Utiliser des clous galvanisés à grande tête pour fixer la bride de cloutage sur les montants.
- Clouer les tasseaux sur les montants.

Installer la plomberie

- Insérer la pièce de raccordement du drain dans le siphon. Fixer l'about du drain sur le siphon.

Installer la baignoire (cont.)

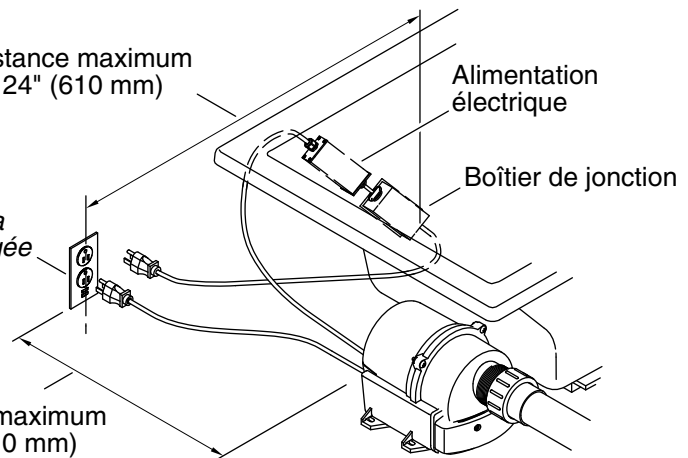
- Installer la vanne de robinet.
- Rechercher des fuites dans les connexions du drain.

Sceller en fonction des codes applicables.

Installer une prise mise à la terre de 120 V, 15 A protégée par un dispositif GFCI.

Distance maximum de 24" (610 mm)

Distance maximum de 24" (610 mm)



3. Effectuer les connexions électriques



AVERTISSEMENT: Risque de choc électrique. S'assurer que l'alimentation a été débranchée avant d'effectuer les procédures suivantes.



AVERTISSEMENT: Risque de choc électrique. Raccorder le boîtier de jonction et le souffleur à une prise de courant double de mise à la terre et mise à la terre de manière adéquate protégée par un disjoncteur de fuite de terre (GFCI) ou un dispositif à courant résiduel (RCD). Ne pas retirer les broches de mise à la terre des fiches. Ne pas utiliser d'adaptateurs de mise à la terre.

AVIS: Le souffleur et le boîtier de jonction sont munis de cordons et de prises. Un électricien qualifié doit installer une prise de courant double de 120 V et 15 A mise à la terre et protégée par un disjoncteur de fuite de terre (GFCI) ou un dispositif de protection à courant résiduel (RCD). Aucune autre charge ne doit être branchée sur ce circuit.

- Installer une prise électrique double à l'arrière de la baignoire, à 1-1/2" (38 mm) au moins au-dessus du sous-plancher, et à proximité du cordon d'alimentation de 24" (610 mm).
- Brancher le souffleur et le boîtier de jonction sur cette prise.

4. Terminer l'installation

Effectuer un essai de fonctionnement de la baignoire

- Faire fonctionner le clavier utilisateur de la surface chauffée pour tester les réglages de la température.
- Remplir la baignoire à un niveau d'eau se trouvant à au moins 4" (102 mm) au-dessus du haut du jet le plus élevé.
- Arrêter la baignoire et laisser reposer pendant cinq minutes. Inspecter toutes les connexions de la tuyauterie de la baignoire pour y déceler des fuites éventuelles. Rechercher des fuites le long de l'avant et des côtés de la baignoire, et à l'arrière de celle-ci.
- Mettre le souffleur en marche et le laisser en marche pendant 5 minutes. Vérifier le bon fonctionnement.
- Pour obtenir de l'information supplémentaire sur le fonctionnement de la baignoire et de la surface chauffée, consulter les sections "Instructions d'utilisation - Surface chauffée" et "Instructions d'utilisation - Baignoire avec jets d'air".

Finir l'installation

- Installer le panneau mural hydrorésistant, ainsi que tous les matériaux du mur fini, de la plate-forme, et du plancher.

Terminer l'installation (cont.)

- Appliquer un mastic à la silicone pour sceller toutes les zones où la baignoire et le mur fini ou la plate-forme entrent en contact.
- Installer la garniture de robinet.

Nettoyer après l'installation

- Lors du nettoyage après l'installation, **ne pas utiliser de nettoyeurs abrasifs**, vu que ceux-ci risqueraient de rayer et d'abîmer la surface de la baignoire. Utiliser de l'eau chaude et un détergent liquide pour nettoyer la surface de la baignoire.
- Enlever les taches résistantes ou la peinture avec de l'essence de térébenthine ou un diluant pour peinture. **Ne pas laisser de nettoyeurs à base de distillats de pétrole rester en contact avec les surfaces de la baignoire pendant une longue période.** Retirer les résidus de plâtre en raclant avec précaution avec un bord en bois. Ne pas utiliser de grattoirs en métal, de brosses métalliques ou d'autres outils en métal. Utiliser un détergent en poudre sur un chiffon humide pour fournir une action abrasive légère sur les résidus de plâtre.

Instructions Importantes sur la sécurité

LIRE ET SUIVRE TOUTES LES INSTRUCTIONS

CONSERVER CES INSTRUCTIONS

INSTRUCTIONS RELATIVES AUX RISQUES D'INCENDIE, D'ÉLECTROCUTION OU DE BLESSURES CORPORELLES



AVERTISSEMENT: Lors de l'utilisation de produits électriques, toujours observer les précautions de base, notamment:



DANGER: Risque de blessures ou de noyade accidentelles Afin de réduire les risques de blessures, ne jamais permettre à un enfant d'utiliser cet appareil sans surveillance étroite, en tout temps.



AVERTISSEMENT: Risque de blessures. Pour éviter les blessures corporelles, entrer et sortir avec précaution de la baignoire.



AVERTISSEMENT: Risque de choc électrique. Ne pas amener les appareils électriques (tels que des sèche-cheveux, des lampes, des téléphones, des radios ou des télévisions) dans un rayon de 5' (1,5 m) de cette baignoire.



AVERTISSEMENT: La consommation d'alcool, de drogues ou de médicaments peut augmenter considérablement le risque fatal d'hyperthermie. Une immersion prolongée dans l'eau chaude peut provoquer une hyperthermie. Une hyperthermie a lieu lorsque la température corporelle interne atteint un niveau dépassant de plusieurs degrés la température corporelle normale de 98,6°F (37°C). Les symptômes d'hyperthermie comprennent une hausse de la température corporelle interne, les étourdissements, une léthargie, une somnolence et les évanouissements. Les effets de l'hyperthermie comprennent: (a) défaut de percevoir la chaleur, (b) défaut de s'apercevoir du besoin de sortir de la baignoire, (c) incapacité de reconnaître le danger imminent, (d) lésions au fœtus dans le cas des femmes enceintes, (e) incapacité physique de sortir de la baignoire et (f) inconscience et danger conséquent de noyade.



AVERTISSEMENT: Risque de préjudice corporel au fœtus. Les femmes enceintes ou qui pourraient être enceintes doivent consulter un médecin avant d'utiliser la baignoire.



AVERTISSEMENT: Risque d'hyperthermie ou de noyade. Ne pas utiliser la baignoire immédiatement après des exercices physiques rigoureux.

Instructions Importantes sur la sécurité (cont.)



AVERTISSEMENT: Risque d'hyperthermie ou de noyade. Une température d'eau supérieure à 100°F (38°C) peut causer des traumatismes. Vérifier et régler la température de l'eau avant utilisation.



AVERTISSEMENT: Risque de blessures. Ne jamais faire tomber ou insérer un objet quelconque dans les ouvertures.

Utiliser cette baignoire uniquement aux fins décrites dans ce guide. Ne pas utiliser de dispositifs d'attache non recommandés par Kohler Co.

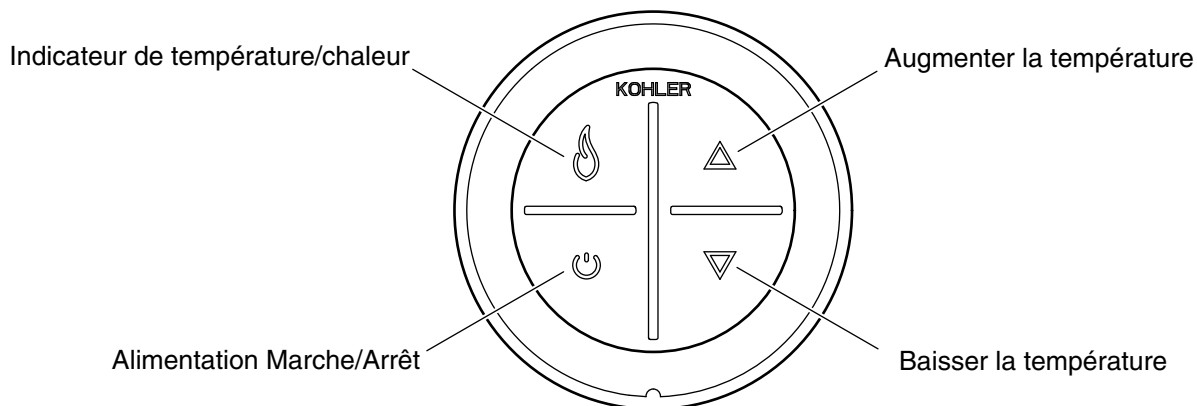
La baignoire doit être raccordée uniquement à un circuit d'alimentation qui est protégé par un disjoncteur de fuite de terre (GFCI)*. L'installateur doit fournir un disjoncteur de fuite de terre de ce type et celui-ci doit être inspecté régulièrement. Pour inspecter le disjoncteur de fuite de terre, appuyer sur le bouton d'essai. Le disjoncteur de fuite de terre doit couper le courant. Appuyer sur le bouton de réinitialisation. L'alimentation devrait avoir été restaurée. Si le disjoncteur de fuite de terre ne fonctionne pas de cette manière, le disjoncteur est défectueux. Si le disjoncteur de fuite de terre interrompt l'alimentation de courant vers la baignoire sans que l'on ait appuyé sur le bouton d'essai, ceci indique qu'un courant à la terre est en train de circuler, et, par conséquent, la possibilité d'un choc électrique. Ne pas utiliser cette baignoire. Débrancher la baignoire et demander à un technicien qualifié de résoudre le problème avant d'utiliser celle-ci.

Purger le système de la baignoire à hydromassage deux fois par mois ou plus souvent selon la fréquence d'usage, tel que décrit dans la section "Purger le système" de ce guide.

L'utilisation répétée de produits d'hygiène et de beauté contenant des huiles peut endommager les composants en plastique de la baignoire à hydromassage. Éviter d'utiliser des huiles de bain.

L'action de massage de la baignoire à hydromassage peut considérablement faire mousser les produits de bain moussant, le savon, les shampoings, ou les huiles pour le bain, même de petite quantité. Pour cette raison, veiller à ne pas utiliser ces produits pendant le fonctionnement de la baignoire à hydromassage.

* Hors de l'Amérique du Nord, ce dispositif peut être connu sous le nom de dispositif à courant résiduel (RCD).



Instructions d'utilisation - Surface chauffée

Fonctionnement du clavier

- **Icône d'alimentation** - Met le réchauffeur en marche et l'arrête.
- **Indicateur de température/chaueur** - L'icône [Flamme] s'allume en jaune, en orange ou en rouge, en fonction du niveau de la chaleur. Le jaune indique une chaleur basse, l'orange indique une chaleur moyenne, et le rouge indique une chaleur élevée.
- **Flèche vers le haut** - Augmente la température.
- **Flèche vers le bas** - Abaisse la température.

AVIS: Le réchauffeur reste en marche jusqu'à ce qu'il soit arrêté manuellement, en appuyant sur l'icône [Alimentation].

REMARQUE: Au bout de 60 minutes d'inactivité, le réchauffeur se réinitialise automatiquement sur une chaleur basse si la température a été réglée au niveau moyen ou élevé.

REMARQUE: Le réchauffeur se met en marche avec la dernière température sélectionnée.

Codes d'erreur

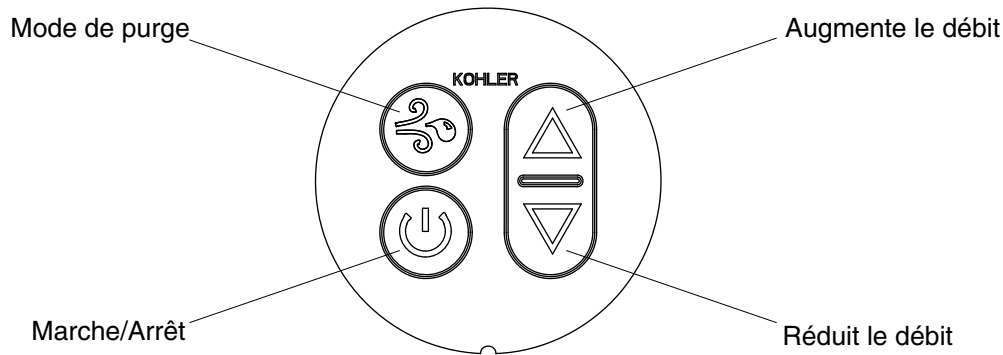
- **L'indicateur de chaleur clignote en rouge** - Le réchauffeur ne fonctionne pas.
- **L'indicateur de chaleur jaune clignote** - La sonde de température ne fonctionne pas ou est desserrée.
- Se reporter à la section "Dépannage" pour rechercher des problèmes et y remédier.

Vérifier le fonctionnement du système de chauffage

- Appuyer sur l'icône [Alimentation] sur le clavier utilisateur.
- Observer que l'indicateur de chaleur devient jaune et que le réchauffeur fournit une chaleur basse.
- Appuyer sur la flèche [vers le haut]. Vérifier que l'indicateur de chaleur devient orange et que la température augmente.
- Appuyer une deuxième fois sur la flèche [vers le haut]. Vérifier que l'indicateur de chaleur devient rouge et que la température diminue.
- Appuyer sur la flèche [vers le bas]. Vérifier que l'indicateur de chaleur devient orange et que la température diminue.

Instructions d'utilisation - Surface chauffée (cont.)

- Appuyer une deuxième fois sur la flèche [vers le bas]. Vérifier que l'indicateur de chaleur devient jaune et que la température diminue.
- Appuyer sur l'icône [Alimentation] pour arrêter l'appareil de chauffage.



Instructions d'utilisation - Baignoire avec jets d'air

IMPORTANT! Ce produit comprend un mode de purge d'eau automatique qui met le souffleur en marche pendant 2 minutes, 30 minutes environ après l'arrêt et la vidange du dispositif.

REMARQUE: La température de l'eau de la baignoire ne doit jamais dépasser 104°F (40°C).

- Fermer le drain, puis remplir la baignoire à au moins 4" (102 mm) au-dessus du jet le plus élevé.
- Utiliser la main pour tester la température de l'eau pour le confort et la sécurité, puis entrer doucement dans la baignoire.
- Appuyer sur l'icône [Marche/Arrêt] pour mettre le souffleur en marche à une vitesse moyenne.
- Appuyer sur les icônes de flèches [vers le haut] ou [vers le bas] pour augmenter ou diminuer le débit d'air.

REMARQUE: Le souffleur s'éteint automatiquement au bout de 20 minutes de fonctionnement, et il peut être redémarré immédiatement si souhaité.

- Appuyer une deuxième fois sur l'icône [Marche/Arrêt] pour arrêter le souffleur.
- Sortir de la baignoire avec précaution et vider celle-ci.
- Appuyer sur l'icône [Mode Purge] pour souffler le reste d'eau hors des conduits d'air. Le souffleur se met en marche pendant 2 minutes, puis il s'arrête automatiquement.

REMARQUE: Au bout de 30 minutes environ après l'arrêt du moteur du souffleur, un mode de purge de 2 minutes se met en marche automatiquement.

REMARQUE: Si la baignoire ne fonctionne pas correctement, se référer à la section "Dépannage".

Entretien et nettoyage

- **Ne pas utiliser d'agents nettoyants en poudre, sauf si ceux-ci sont complètement dilués dans l'eau.** Des substances solides pourraient obstruer les jets d'air.
- **Ne pas utiliser de solutions de nettoyage avec eau de Javel ou ammoniacale à concentration intégrale.** Les solutions de nettoyage à agents chimiques actifs peuvent endommager la surface de la baignoire.
- **Ne pas utiliser de nettoyants abrasifs ou de solvants sur les surfaces acryliques.** Les produits nettoyants abrasifs et les solvants peuvent endommager la surface de la baignoire.
- Essuyer la baignoire en acrylique avec un tissu doux après chaque usage.
- Éviter les détergents, les désinfectants ou les produits de nettoyage en bombes aérosols.

Entretien et nettoyage (cont.)

REMARQUE: Pour réparer les dispositifs délustés ou rayés: Appliquer un produit à polir blanc pour automobiles avec un chiffon propre. Polir vigoureusement les rayures et les surface délustées. Essuyer les résidus. Passer ensuite une couche de cire en pâte blanche pour automobiles. Ne pas cirer les surfaces sur lesquelles l'on marche ou sur lesquelles l'on se tient debout.

Nettoyer le clavier utilisateur et la télécommande

- Utiliser un chiffon doux pour essuyer le clavier et la télécommande après chaque usage. Si la surface devient sale, utiliser un savon non-abrasif et de l'eau tiède pour le nettoyage.

Maintenance des jets d'air

- Si le nettoyage des jets d'air s'avère nécessaire en raison de dépôts d'eau calcaire, utiliser une petite brosse de nettoyage entre les dents et du vinaigre blanc. Tremper la brosse dans le vinaigre, brosser l'orifice, rincer la brosse à l'eau propre, puis utiliser la brosse mouillée et rincée pour rincer l'orifice.
- Remplir la baignoire avec de l'eau jusqu'à la rangée supérieure des jets d'air. Vidanger la baignoire et appuyer sur le bouton de purge.

Pour obtenir des renseignements détaillés sur le nettoyage et les produits à considérer, consulter le site www.kohler.com/clean. Pour commander des renseignements sur le nettoyage, appeler le 1-800-456-4537.

Dépannage

AVIS: Cette section est seulement destinée à une aide générale. Un représentant du service agréé Kohler Co. ou un électricien qualifié doit rectifier tous les problèmes électriques. Pour un service de garantie, appeler le 1-800-4KOHLER à partir des É.-U. et du Canada, ou le 001-800-456-4537 à partir du Mexique.

Pour tout renseignement sur les pièces de rechange, visiter la page du produit sur le site www.kohler.com/serviceparts.

Baignoire avec système de jets d'air

Symptômes	Causes probables	Action recommandée
1. Le souffleur se met en marche de lui-même lorsque la baignoire a été vidangée.	A. Fonctionnement normal. Le mode de purge automatique fonctionne tel que prévu.	A. Aucune action n'est requise. Le mode de purge automatique fonctionne pendant 2 minutes, 30 minutes après la vidange de la baignoire.
2. Le souffleur s'arrête de lui-même après avoir fonctionné pendant 2 minutes.	A. On a appuyé sur l'icône Mode Purge au lieu de l'icône Marche/Arrêt.	A. Appuyer sur l'icône Marche/Arrêt sur le clavier utilisateur. Voir la section "Instructions d'opération".
3. Le moteur du souffleur ne démarre pas.	A. Le cordon d'alimentation en provenance du moteur du souffleur est desserré, déconnecté ou endommagé.	A. Inspecter le câblage pour vérifier que les connexions sont adéquates.
	B. Câble du clavier utilisateur desserré ou endommagé.	B. Vérifier les connexions de fils. Si nécessaire, remplacer le câble du clavier utilisateur.
	C. Le clavier utilisateur ne fonctionne pas.	C. Remplacer le clavier utilisateur.
	D. Le moteur du souffleur ne fonctionne pas.	D. Remplacer le moteur du souffleur.
4. Le moteur du souffleur s'arrête de fonctionner et ne redémarre pas immédiatement.	A. Moteur de souffleur surchauffé et système de protection activé.	A. Rechercher une obstruction au niveau de l'orifice d'entrée d'air du souffleur. Éliminer l'obstruction et laisser le moteur refroidir.

Dépannage (cont.)		
Symptômes	Causes probables	Action recommandée
5. Le moteur du souffleur démarre, mais quelques jets d'air ne fonctionnent pas.	A. La vitesse du moteur du souffleur est trop basse.	A. Augmenter la vitesse.
	B. L'orifice d'entrée du moteur du souffleur est obstrué.	B. Nettoyer l'orifice d'entrée du moteur du souffleur.
	C. Le moteur du souffleur ne fonctionne pas.	C. Remplacer le moteur du souffleur.
	D. L'orifice de sortie du moteur du souffleur est obstrué.	D. Dégager l'obstruction.
	E. Les jets d'air sont bouchés.	E. Utiliser une petite brosse de nettoyage entre les dents et du vinaigre blanc. Tremper la brosse dans le vinaigre, brosser l'orifice, rincer la brosse à l'eau propre, puis utiliser la brosse mouillée et rincée pour rincer l'orifice.
6. Le moteur du souffleur fonctionne mais aucune bulle d'air n'est observée.	A. L'orifice d'entrée du moteur du souffleur est obstrué.	A. Nettoyer l'orifice d'entrée du moteur du souffleur.
	B. Les jets d'air sont bouchés.	B. Utiliser une petite brosse de nettoyage entre les dents et du vinaigre blanc. Tremper la brosse dans le vinaigre, brosser l'orifice, rincer la brosse à l'eau propre, puis utiliser la brosse mouillée et rincée pour rincer l'orifice.
	C. Le moteur du souffleur ne fonctionne pas.	C. Remplacer le moteur du souffleur.
7. Le moteur du souffleur fonctionne, des bulles d'air sont observées, mais la commande de vitesse ne fonctionne pas.	A. L'orifice d'entrée du moteur du souffleur est obstrué.	A. Nettoyer l'orifice d'entrée du moteur du souffleur.
	B. Le faisceau de câblage est desserré, déconnecté ou endommagé.	B. Vérifier les raccordements du câblage. Remplacer le faisceau de câblage si nécessaire.
	C. Le clavier utilisateur ne fonctionne pas.	C. Remplacer le clavier utilisateur.
	D. Le moteur du souffleur ne fonctionne pas.	D. Remplacer le moteur du souffleur.
8. Le moteur du souffleur ne s'arrête pas lorsque l'on appuie sur le bouton Marche/Arrêt.	A. Le clavier utilisateur ne fonctionne pas.	A. Remplacer le clavier utilisateur.
	B. Le faisceau de câblage est desserré, déconnecté ou endommagé.	B. Vérifier les raccordements du câblage. Remplacer le faisceau de câblage si nécessaire.
	C. La commande ne fonctionne pas.	C. Remplacer la commande.
9. Le mode de purge ne fonctionne pas.	A. Le clavier utilisateur ne fonctionne pas.	A. Remplacer le clavier utilisateur.
	B. La commande ne fonctionne pas.	B. Remplacer la commande.
10. La baignoire ne se purge pas automatiquement.	A. Le souffleur ne fonctionne pas.	A. Remplacer le souffleur.
Surface chauffée		
Symptômes	Causes probables	Action recommandée
11. La baignoire chauffée ne se met pas en marche.	A. Aucune alimentation pour la source d'alimentation électrique.	A. Armer/réarmer le disjoncteur GFCI ou RCD; inspecter le câblage.
	B. Câble du clavier utilisateur desserré ou endommagé.	B. Vérifier les connexions de fils. Si nécessaire, remplacer le câble du clavier utilisateur.

Dépannage (cont.)		
Symptômes	Causes probables	Action recommandée
	<p>C. Le clavier utilisateur ne fonctionne pas.</p> <p>D. L'alimentation électrique ne fonctionne pas.</p>	<p>C. Vérifier les connexions de fils. Remplacer le clavier utilisateur.</p> <p>D. Remplacer l'alimentation électrique.</p>
12. La baignoire est en marche, mais la chaleur est faible ou inexistante.	<p>A. Câble de l'appareil de chauffage desserré ou endommagé.</p> <p>B. Appareil de chauffage/matériau isolant desserré sur la baignoire.</p> <p>C. L'indicateur de chaleur est jaune ou orange.</p> <p>D. L'appareil de chauffage ne fonctionne pas.</p> <p>E. La sonde de température ne fonctionne pas.</p>	<p>A. Vérifier les connexions de fils. Si nécessaire, remplacer le câble de l'appareil de chauffage.</p> <p>B. Sécuriser l'appareil de chauffage/le matériau isolant sur la baignoire.</p> <p>C. Appuyer sur la flèche [vers le haut] pour augmenter la température.</p> <p>D. Remplacer l'appareil de chauffage.</p> <p>E. Remplacer l'appareil de chauffage.</p>
13. La température ne se réinitialise pas automatiquement à une basse température au bout d'une heure.	<p>A. La sonde de température ne fonctionne pas.</p>	<p>A. Remplacer l'appareil de chauffage et/ou le clavier.</p>
14. L'indicateur de chaleur clignote en rouge.	<p>A. Le système de chauffage doit être réinitialisé.</p> <p>B. L'appareil de chauffage ne fonctionne pas.</p>	<p>A. Appuyer sur l'icône [Alimentation] pour couper l'alimentation. Attendre 10 secondes, puis remettre l'appareil sous alimentation.</p> <p>B. Remplacer l'appareil de chauffage.</p>
15. L'indicateur de chaleur clignote en jaune.	<p>A. Le système de chauffage doit être réinitialisé.</p> <p>B. La sonde de température ne fonctionne pas.</p>	<p>A. Appuyer sur l'icône [Alimentation] pour couper l'alimentation. Attendre 10 secondes, puis remettre l'appareil sous alimentation.</p> <p>B. Remplacer l'appareil de chauffage.</p>

Garantie

GARANTIE LIMITÉE D'UN AN

Les produits de plomberie KOHLER sont garantis contre tout vice de matériau et de fabrication pendant un an à partir de la date de l'installation.

Si un vice est découvert au cours d'une utilisation normale, Kohler Co. choisira, à sa discrétion, la réparation, le remplacement ou la rectification appropriée après inspection desdits vices par Kohler Co. pendant un (1) an à partir de la date d'installation. Kohler Co. n'est pas responsable des frais d'enlèvement ou d'installation. **L'utilisation de nettoyeurs à l'intérieur du réservoir annule la garantie.**

Pour obtenir le service de garantie, contacter Kohler Co., par l'intermédiaire du vendeur, plombier, centre de rénovation ou revendeur par internet, ou bien par écrit à l'adresse suivante Kohler Co., Attn.: Customer Care Center, 444 Highland Drive, Kohler, WI 53044, USA, ou appeler le 1-800-4-KOHLER (1-800-456-4537) à partir des É.-U. et du Canada, et le 001-800-456-4537 à partir du Mexique, ou consulter le site www.kohler.com aux É.-U., www.ca.kohler.com à partir du Canada, ou www.mx.kohler.com au Mexique.

LES GARANTIES TACITES, Y COMPRIS CELLES DE COMMERCIALITÉ ET D'ADAPTATION À UN USAGE PARTICULIER, SONT EXPRESSÉMENT LIMITÉE À LA DURÉE DE LA PRÉSENTE GARANTIE. KOHLER CO. ET/OU LE REVENDEUR DÉCLINENT TOUTE RESPONSABILITÉ CONTRE LES DOMMAGES PARTICULIERS, ACCESSOIRES OU INDIRECTS. Certains états et provinces ne permettent pas de limite sur la durée de la garantie tacite, ni l'exclusion ou la limite des dommages particuliers, accessoires ou indirects, et, par conséquent, lesdites limites et exclusions peuvent ne pas s'appliquer à votre

Garantie (cont.)

cas. Cette garantie vous donne des droits juridiques particuliers. Vous pouvez également avoir d'autres droits qui varient d'un état ou d'une province à l'autre.

Ceci constitue la garantie écrite exclusive de Kohler Co.

Garantie

Pour le Mexique

KOHLER CO.

Il est recommandé de s'assurer qu'il ne manque aucun accessoire ou composant dans l'emballage au moment de l'achat.

Ce produit Kohler est garanti contre tout défaut de matériel et de fabrication pour une période d'un (1) an à partir de la date d'achat tel qu'indiqué sur la facture ou le reçu de caisse.

1. Kohler Co. effectuera seulement un entretien de ses produits commercialisés à travers son réseau de distributeurs agréés.
2. Pour obtenir un service-garantie, présenter la facture et le certificat de garantie du produit correspondant.
3. Kohler Co. s'engage, par l'intermédiaire de ses distributeurs autorisés, à réparer ou à remplacer tout produit défectueux par un modèle équivalent (dans les cas où les modèles ne sont plus fabriqués) lorsque le produit ne peut pas être réparé, sans frais pour le consommateur.
4. Le temps de réparation n'excédera pas six (6) semaines à compter de la date de réception du produit.
5. Il est recommandé que le consommateur conserve la facture ou le ticket de caisse comme mesure de protection supplémentaire, car ceux-ci pourraient remplacer la garantie dans le cas d'erreur de validité de la garantie.

EXCEPTIONS ET RESTRICTIONS

La garantie perdra sa validité dans les cas suivants:

1. Lorsque le produit n'est pas utilisé conformément aux instructions d'utilisation et de fonctionnement indiquées dans le guide du propriétaire ou dans les instructions d'installation, et quand les recommandations et mises en garde ne sont pas respectées.
2. Quand le produit a été partiellement ou totalement modifié ou démonté, ou s'il a été utilisé d'une façon négligée ayant pour conséquence un endommagement causé par le consommateur, une personne ou un matériel non autorisé par Kohler Co.
3. Cette garantie ne couvre pas les dommages issus de catastrophes telles que les incendies ou les catastrophes naturelles, y compris les inondations, les tremblements de terre, les orages électriques, etc. Pour obtenir une liste des distributeurs dans votre région auprès desquels il est possible d'exercer ses droits dans le cadre de la présente garantie, composer le 001-800-456-4537.

KOHLER CO., KOHLER, WI 53044 U.S.A.

IMPORTATEUR:

COMERCIALIZADORA INTERCERAMIC, S.A. DE C.V.

AV. CARLOS PACHECO NO. 7200, COL. MADERA 65

CHIHUAHUA, CHIH., MEXICO C.P. 31060

R.F.C. CIN141022IE9

TÉL.: 52 (614) 429-11-11

IMPORTATEUR:

GAMA MATERIALES Y ACEROS, S.A. DE C.V.

Garantie (cont.)

AVE LOS ANGELES NO. 1800

COL VALLE DEL NOGALAR, SAN NICOLAS DE LOS GARZA

N.L. MEXIQUE

R.F.C. GMA901220U11

TÉL.: 81-1160-5500

Guía de instalación y cuidado

Bañera con jets de aire y superficie de calefacción

Instrucciones de instalación



ADVERTENCIA: Al usar aparatos eléctricos siempre cumpla las precauciones básicas, incluidas las siguientes:



PELIGRO: Riesgo de sacudidas eléctricas. Conecte solo a un circuito protegido por un interruptor de circuito con pérdida a tierra (GFCI)*.

El material de construcción y el cableado se deben colocar lejos del cuerpo del motor soplador y de otros componentes de la unidad que producen calor.

Instale de manera que quede acceso para dar servicio.

El compartimiento de cables incluye un conector a presión marcado "Earth/Ground" (tierra). Para reducir el riesgo de una sacudida eléctrica, conecte este conector al terminal de tierra de su tablero eléctrico o al panel de suministro eléctrico con un cable de cobre del tamaño equivalente al conductor del circuito que alimenta este equipo.

En el exterior de la bomba o del control de esta unidad se incluye un conector a presión para permitir la conexión de un conductor equipotencial entre esta unidad y el metal expuesto en las proximidades, tal y como lo requieran las normas locales.

Se requiere conexión a tierra. Un representante autorizado de servicio debe instalar esta unidad y conectarla a tierra.



ADVERTENCIA: Riesgo de lesiones personales o de daños a la propiedad. Lea atentamente todas las instrucciones antes de comenzar la instalación, además de los requisitos detallados a continuación.



ADVERTENCIA: Riesgo de sacudidas eléctricas. Un electricista calificado debe hacer todas las conexiones eléctricas.



ADVERTENCIA: Riesgo de sacudidas eléctricas. Desconecte el suministro eléctrico antes de dar servicio.

AVISO: Cumpla todos los códigos locales de electricidad y de plomería. En Canadá, instale la unidad conforme al Código Eléctrico Canadiense, Parte 1.

*Fuera de Estados Unidos, es posible que este dispositivo se conozca como dispositivo de corriente residual (RCD, por sus siglas en inglés).

Información sobre el producto

Requisitos eléctricos



ADVERTENCIA: Riesgo de quemaduras, incendio, sacudida eléctrica o lesiones personales. No haga funcionar el calentador si el cable de suministro eléctrico está dañado. Para obtener asesoría correcta sobre la reparación de este producto, llame al: 1-800-4KOHLER desde EE.UU. o Canadá, o al 001-800-456-4537 desde México.

La instalación debe contar con un interruptor de circuito con pérdida a tierra (GFCI) de Clase A. El interruptor GFCI protege contra el peligro de sacudida eléctrica de línea a tierra. **Utilice un circuito dedicado de 120 V, 15 A y 60 Hz para la bañera.**

Información sobre el producto (cont.)

Si el cable de alimentación eléctrica del soplador está dañado, debe ser reemplazado por el fabricante, por un agente de servicio autorizado por el fabricante o por personas igualmente calificadas, para así evitar un peligro.

Avisos sobre el producto

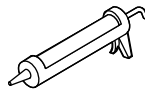
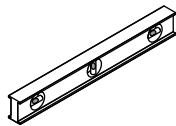
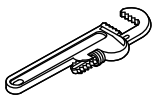
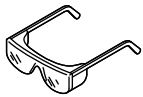
AVISO: Mantenga limpia y sin suciedad el área alrededor del soplador. Asegúrese de que en el área alrededor del soplador no haya aserrín, material aislante, suciedad ni otras partículas sueltas pequeñas. Dichos materiales pueden tapan los conductos de aire del soplador y reducir el flujo de aire a través del soplador.

AVISO: Este producto tiene un modo de purga automática de agua que enciende el soplador durante 2 minutos aproximadamente 30 minutos después de apagar y vaciar la unidad.

Características

Los componentes instalados en fábrica incluyen un motor soplador con cable de suministro eléctrico, tubería de aire, una válvula de retención (algunos modelos), un teclado del usuario, y una superficie de calefacción con cable de suministro eléctrico, teclado del usuario y cable para el teclado. Además del cableado eléctrico y de la instalación de plomería, no es necesario realizar ningún otro tipo de ensamblaje.

Herramientas y materiales



Más:

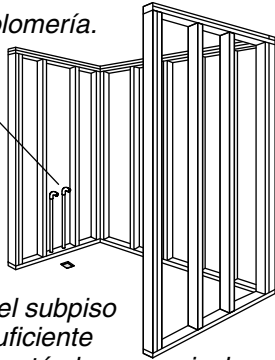
- Herramientas y materiales convencionales de carpintería
- Lona
- Adhesivo de construcción (opcional)
- Cemento* o mortero (opcional)
- Postes de madera de 2x4

* No utilice cemento de yeso.

Sellador 100% de silicona

Encajonado entre tres paredes

Coloque las tuberías de plomería.

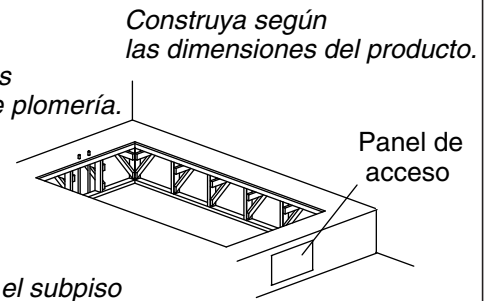


Construya una estructura de postes de madera de 2x4 según las dimensiones del producto.

Verifique que el subpiso proporcione suficiente soporte y que esté plano y a nivel.

De sobreponer

Coloque las tuberías de plomería.



Construya según las dimensiones del producto.

Verifique que el subpiso proporcione suficiente soporte y que esté plano y a nivel.

1. Prepare el sitio

AVISO: Mida su producto para preparar el lugar. Fíjese en el **número de modelo** ubicado en el motor soplador de la bañera, luego obtenga información adicional en la página del producto en www.kohler.com.

AVISO: Para cambiar la ubicación del soplador, hay disponible un kit de instalación remota del soplador K-1446.

AVISO: Provea amplio acceso sin restricciones al soplador. Se debe dejar acceso para dar servicio al soplador. El acceso debe quedar justo al lado del motor soplador.

AVISO: No levante la bañera por los tubos o por el soplador, ni los utilice como soporte estructural de la bañera. Para evitar daños a la bañera, levántela por el reborde a los lados de la bañera.

AVISO: No apoye el peso de la bañera sobre el reborde.

AVISO: Los modelos de sobreponer no están diseñados para instalaciones encajonadas entre tres paredes. Utilice un modelo con pestañas para instalaciones encajonadas entre tres paredes.

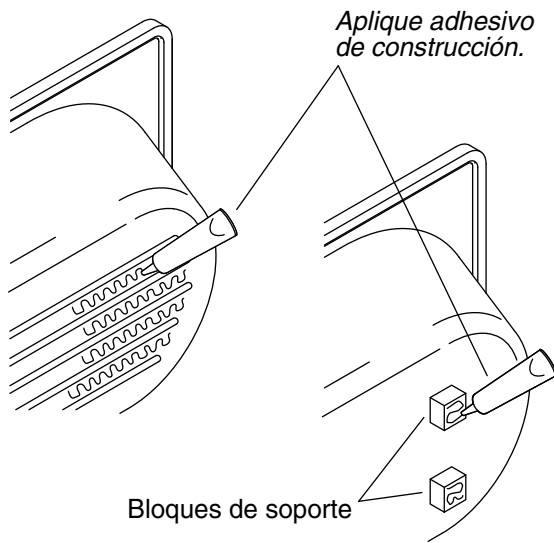
NOTA: De acuerdo al producto elegido es posible realizar una instalación de sobreponer, encajonada entre tres paredes o en esquina.

- Antes de la instalación, saque las piezas de la caja y revise que la bañera nueva no presente daños. Si la bañera presenta daños, no la instale; comuníquese con su distribuidor.
- Verifique que el piso proporcione el soporte adecuado para su bañera, y que el subpiso esté plano y nivelado.

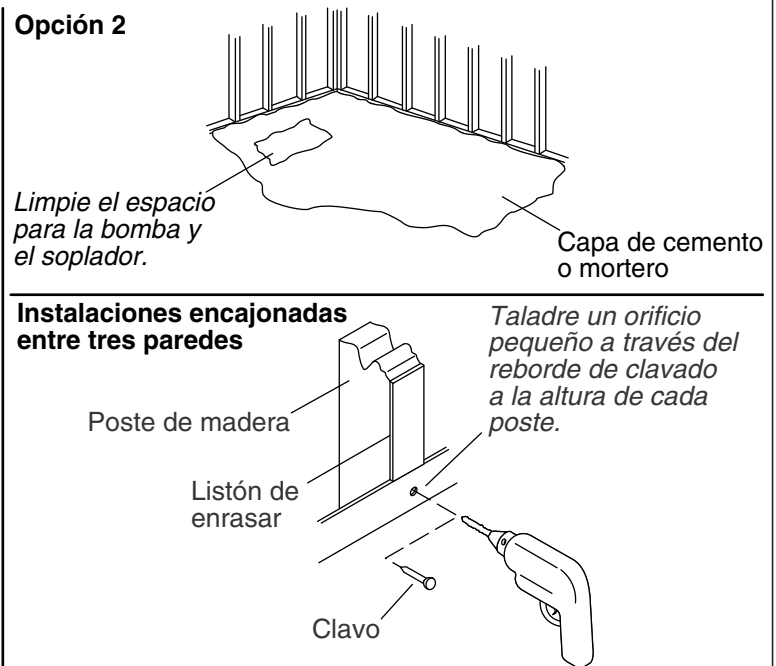
NOTA: En instalaciones de motor soplador remoto, antes de continuar consulte las instrucciones de instalación que se incluyen con el kit de instalación del motor soplador remoto.

- Proporcione la ventilación adecuada y un espacio de aire libre mínimo de 15 pies cúbicos (0,4 metros cúbicos) para enfriamiento del motor y para suministrar suficiente aire al soplador. No coloque el motor soplador a menos de 1" (25 mm) de distancia de la pared o de otros objetos.
- Construya una estructura de postes de madera de 2x4.
- Instale un panel de acceso para dar servicio al soplador en el futuro. Este panel de acceso debe tener por lo menos 30" (762 mm) de ancho y 15" (381 mm) de alto.
- Instale el tendido de plomería.
- Instale el desagüe en la bañera de acuerdo a las instrucciones del fabricante del desagüe.
- Coloque una lona limpia en el fondo para proteger la superficie de la bañera.

Opción 1



Opción 2



2. Instale la bañera

AVISO: No levante la bañera por los tubos o por el soplador, ni los utilice como soporte estructural de la bañera. Para evitar daños a la bañera, levántela por el reborde a los lados de la bañera.

- Si el subpiso no está a nivel, acúñe los bloques de soporte o los soportes moldeados de la bañera según sea necesario.

Opción 1: Instale con adhesivo de construcción

NOTA: Algunos modelos vienen con bloques de soporte; algunos modelos tienen soportes moldeados.

- Aplique una cantidad abundante de adhesivo de construcción de alta calidad en la parte inferior de los bloques de soporte o de los soportes moldeados. Con ayuda, coloque con cuidado la bañera en su lugar.

Opción 2: Instale con una capa de cemento o mortero

NOTA: No utilice cemento de yeso o pasta para paneles de yeso con esta aplicación, puesto que no se produce adherencia aceptable ni duradera.

- Coloque el área del fondo en una capa de cemento mortero de 1" (25 mm) a 2" (51 mm).

NOTA: El soplador debe apoyarse directamente sobre el subpiso. El soplador no debe entrar en contacto con el mortero.

Fije las pestañas para clavar (unidades para encajonado entre tres paredes)

- Taladre un pequeño orificio guía a través de la pestaña para clavar en cada poste de madera. Agregue cuñas según sea necesario.
- Utilice clavos galvanizados de cabeza grande para fijar la pestaña para clavar a los postes.
- Clave listones de enrasar en los postes de madera.

Instale la plomería

- Introduzca el tubo final de desagüe en la trampa. Fije el tubo final de desagüe a la trampa.
- Instale la válvula de la grifería.

Instale la bañera (cont.)

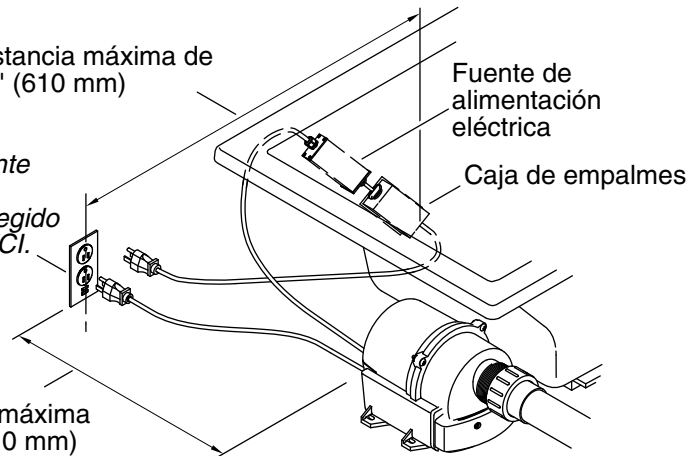
- Revise que no haya fugas en las conexiones de desagüe.

Cumpla con los
códigos correspondientes.

Instale un tomacorriente
conectado a tierra,
de 120 V y 15 A, protegido
con un interruptor GFCI.

Distancia máxima de
24" (610 mm)

Distancia máxima
de 24" (610 mm)



3. Haga las conexiones eléctricas



ADVERTENCIA: Riesgo de sacudidas eléctricas. Asegúrese de desconectar la corriente eléctrica antes de realizar los siguientes procedimientos.



ADVERTENCIA: Riesgo de sacudidas eléctricas. Conecte la caja de empalmes y el soplador a un tomacorriente doble conectado a tierra apropiadamente, protegido por un interruptor de circuito con pérdida a tierra (GFCI) o por un dispositivo de corriente residual (RCD). No retire las clavijas de conexión a tierra de los enchufes. No utilice adaptadores de conexión a tierra.

AVISO: El soplador y la caja de empalmes están equipados con cables y enchufes. Un electricista calificado debe instalar un tomacorriente doble conectado a tierra, de 120 V, 15 A con protección mediante un interruptor GFCI o RCD. Este circuito no debe tener ninguna otra carga.

- Instale un tomacorriente eléctrico doble detrás de la bañera, por lo menos 1-1/2" (38 mm) arriba del subpiso y dentro del alcance del cable eléctrico de 24" (610 mm).
- Enchufe el soplador y la caja de empalmes en este tomacorriente.

4. Termine de hacer la instalación

Pruebe el funcionamiento de la bañera

- Haga funcionar el teclado de la superficie de calefacción para probar los valores de temperatura.
- Llene la bañera a un nivel por lo menos 4" (102 mm) arriba del jet de aire más alto.
- Cierre el flujo de agua a la bañera, y deje el agua en la bañera cinco minutos. Revise que no haya fugas en ninguna de las conexiones de las tuberías de la bañera. Verifique que no haya fugas a lo largo del frente, los lados y la parte posterior de la bañera.
- Encienda el soplador y déjelo funcionar durante 5 minutos. Verifique que funcione sin dificultades.
- Para obtener información adicional sobre el funcionamiento de la bañera y de la superficie de calefacción, consulte las secciones "Instrucciones de funcionamiento - Superficie de calefacción e "Instrucciones de funcionamiento - Bañera con jets de aire".

Termine de hacer la instalación

- Instale panel de yeso impermeable y todos los materiales de acabado de la pared, la cubierta y el piso.
- Aplique sellador de silicona para sellar todos los lugares donde hacen contacto la bañera y la pared acabada o la cubierta.
- Instale la guarnición de la grifería.

Termine de hacer la instalación (cont.)

Limpieza después de la instalación

- Al limpiar después de la instalación, **no utilice productos de limpieza abrasivos** ya que pueden rayar y opacar la superficie de la bañera. Utilice agua tibia y detergente líquido para limpiar la superficie de la bañera.
- Limpie las manchas difíciles de quitar o la pintura, con aguarrás o con diluyente de pintura. **No permita que los productos de limpieza que contengan destilados de petróleo permanezcan en contacto con la superficie de la bañera durante periodos prolongados.** Para retirar el yeso, raspe con cuidado con un canto de madera. No utilice raspadores de metal, cepillos de alambre ni otras herramientas metálicas. Se puede utilizar detergente en polvo con un trapo húmedo para ejercer una acción abrasiva suave en los residuos de yeso.

Instrucciones importantes de seguridad

LEA Y SIGA TODAS LAS INSTRUCCIONES

GUARDE ESTAS INSTRUCCIONES

INSTRUCCIONES RELATIVAS A LOS RIESGOS DE INCENDIO, SACUDIDA ELÉCTRICA O LESIONES PERSONALES



ADVERTENCIA: Al usar aparatos eléctricos siempre cumpla las precauciones básicas, incluidas las siguientes:



PELIGRO: Riesgo de lesiones personales o ahogamiento. Para reducir el riesgo de lesiones, no permita que los niños usen este producto sin supervisión estricta en todo momento.



ADVERTENCIA: Riesgo de lesiones personales. Para evitar lesiones, tenga cuidado al entrar y al salir de la bañera.



ADVERTENCIA: Riesgo de sacudidas eléctricas. No coloque aparatos eléctricos (como secador de pelo, lámparas, teléfono, radio o televisión) a menos de 5 pies (1,5 m) de esta bañera.



ADVERTENCIA: El uso de alcohol, drogas o medicamentos puede aumentar enormemente el riesgo de sufrir hipertermia fatal. La inmersión prolongada en agua caliente puede producir hipertermia. Ocurre hipertermia cuando la temperatura interna del cuerpo alcanza un nivel varios grados más arriba de la temperatura corporal normal de 98,6°F (37°C). Los síntomas de hipertermia incluyen aumento de temperatura corporal interna, mareos, letargo, somnolencia y desfallecimiento. Los efectos de hipertermia incluyen: (a) incapacidad para percibir calor, (b) incapacidad para reconocer la necesidad de salir de la bañera, (c) inconsciencia de un peligro inminente, (d) daño al feto en mujeres embarazadas, (e) inhabilidad física para salir de la bañera y (f) pérdida del conocimiento con peligro de ahogarse.



ADVERTENCIA: Riesgo de lesiones mortales. Las mujeres embarazadas o que posiblemente estén embarazadas deben consultar a un médico antes de usar la bañera.



ADVERTENCIA: Riesgo de hipertermia o ahogamiento. No utilice la bañera inmediatamente después de hacer ejercicio.



ADVERTENCIA: Riesgo de hipertermia o ahogamiento. La temperatura del agua superior a 100°F (38°C) puede causar lesiones. Pruebe y ajuste la temperatura del agua antes de usar la bañera.

Instrucciones importantes de seguridad (cont.)



ADVERTENCIA: Riesgo de lesiones personales. No deje caer ni introduzca objetos en ninguna de las aberturas.

Use esta bañera únicamente con el fin para el que ha sido fabricada, tal como se explica en esta guía. No use equipos adicionales que no recomiende Kohler Co.

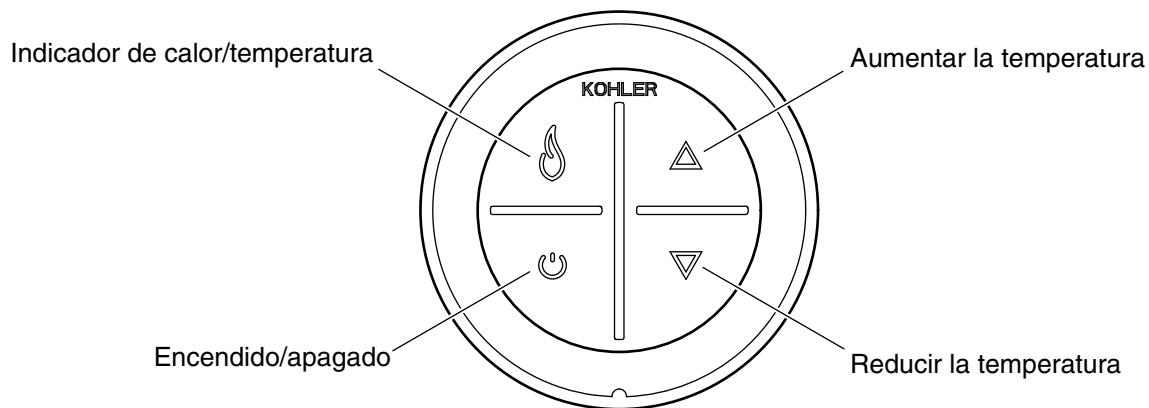
La bañera se debe conectar a un circuito protegido por un interruptor de circuito con pérdida a tierra (GFCI)*. El instalador debe suministrar dicho interruptor GFCI, cuyo funcionamiento debe probarse en forma rutinaria. Para probar el GFCI, oprima el botón de prueba. El GFCI debe interrumpir el suministro eléctrico. Oprima el botón de restablecer (Reset). Esto debe restablecer el suministro eléctrico. Si el GFCI no funciona de esta manera, significa que está averiado. Si el GFCI interrumpe la alimentación eléctrica a la bañera sin que se haya activado el botón de prueba, significa que fluye corriente a tierra, lo que indica la posibilidad de una sacudida eléctrica. No utilice esta bañera. Desconecte la bañera y solicite que un representante de servicio autorizado solucione el problema.

Limpie el sistema de hidromasaje dos o más veces al mes, de acuerdo al uso, tal como se describe en la sección "Haga circular agua para limpiar el sistema" de esta guía.

El uso constante de productos de higiene personal que contengan aceites puede dañar los componentes plásticos de la bañera de hidromasaje. Evite el uso de aceites de baño.

La acción del hidromasaje puede hacer que una pequeña cantidad de líquidos para hacer burbujas, champú, jabón o aceite de baño, espume en exceso. Por esta razón, no utilice estos productos durante el funcionamiento de la bañera de hidromasaje.

*Fuera de Estados Unidos, es posible que este dispositivo se conozca como dispositivo de corriente residual (RCD, por sus siglas en inglés).



Instrucciones de funcionamiento - Superficie de calefacción

Funcionamiento del teclado

- **Icono de encendido** - Enciende y apaga el calentador.
- **Indicador de calor/temperatura** - El icono [Flama] se ilumina en amarillo, anaranjado o rojo de acuerdo al nivel de calor. Amarillo indica calor bajo, anaranjado indica calor medio, y rojo indica calor alto.
- **Flecha hacia arriba** - Aumenta la temperatura.
- **Flecha hacia abajo** - Disminuye la temperatura.

AVISO: El calentador permanece encendido mientras no se apague manualmente al presionar el icono [Encendido].

NOTA: Después de 60 minutos de inactividad, el calentador se restablece automáticamente a calor bajo si la temperatura se encontraba en la selección de temperatura media o alta.

NOTA: El calentador se enciende a la última selección de temperatura.

Códigos de error

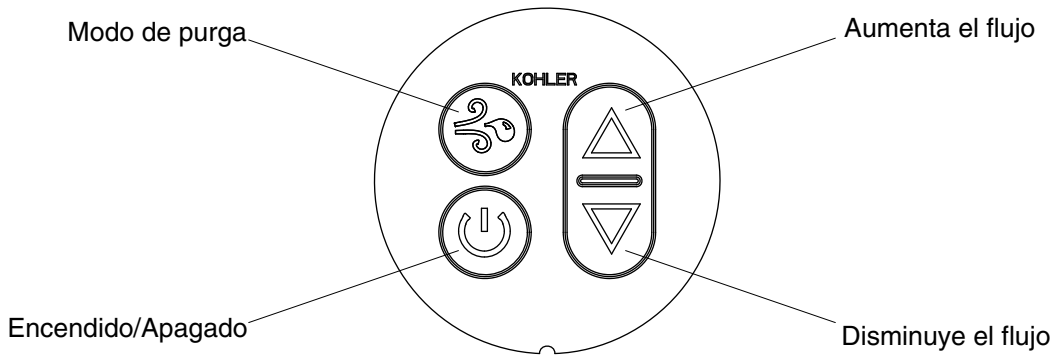
- **El indicador de calor parpadea en rojo** - El calentador no está funcionando.
- **El indicador de calor parpadea en amarillo** - El sensor de temperatura no está funcionando o está suelto.
- Consulte la sección "Guía para resolver problemas" para solucionar problemas.

Confirme el funcionamiento del sistema de calefacción

- Oprima el icono [Encendido] en el teclado del usuario.
- Observe que el indicador de calor se ilumine en amarillo y que el calentador produzca calor a baja temperatura.
- Oprima la flecha [Hacia arriba]. Verifique que el indicador de calor se ilumine en anaranjado y que aumente la temperatura.
- Oprima la flecha [Hacia arriba] por segunda vez. Verifique que el indicador de calor se ilumine en rojo y que aumente la temperatura.
- Oprima la flecha [Hacia abajo]. Verifique que el indicador de calor se ilumine en anaranjado y que disminuya la temperatura.

Instrucciones de funcionamiento - Superficie de calefacción (cont.)

- Oprima la flecha [Hacia abajo] por segunda vez. Verifique que el indicador de calor se ilumine en amarillo y que disminuya la temperatura.
- Oprima el icono [Encendido] para apagar el calentador.



Instrucciones de funcionamiento - Bañera con jets de aire

¡IMPORTANTE! Este producto tiene un modo de purga automática de agua que enciende el soplador durante 2 minutos aproximadamente 30 minutos después de apagar y vaciar la unidad.

NOTA: La temperatura del agua en la bañera nunca debe exceder 104°F (40°C).

- Cierre el desagüe, luego llene la bañera por lo menos 4" (102 mm) arriba del jet más alto.
- Pruebe la temperatura del agua con la mano para asegurar que sea cómoda y segura, y luego entre con cuidado a la bañera.
- Oprima el icono [Encendido/Apagado] para encender el soplador a una velocidad media.
- Oprima los iconos de flecha hacia [Arriba] o [Abajo] para aumentar o disminuir el flujo de aire.

NOTA: El soplador se apaga automáticamente después de 20 minutos de funcionamiento, y si desea puede volver a encenderlo inmediatamente.

- Vuelva a oprimir el icono [Encendido/Apagado] por segunda vez para apagar el soplador.
- Salga con cuidado y vacíe la bañera.
- Oprima el icono [Modo de purga] para soplar el agua restante de los canales de aire. El soplador se enciende durante 2 minutos y luego se apaga automáticamente.

NOTA: Aproximadamente 30 minutos después de apagado el motor soplador, se enciende automáticamente un modo de purga de 2 minutos.

NOTA: Si la bañera no funciona correctamente, consulte la sección "Guía para resolver problemas".

Cuidado y limpieza

- **No utilice productos de limpieza en polvo, a menos que estén completamente disueltos en agua.** Las sustancias sólidas podrían obstruir los jets de aire.
- **No utilice soluciones de limpieza concentradas que contengan blanqueador o amoníaco.** Las soluciones de limpieza activas químicamente pueden dañar la superficie de la bañera.
- **No utilice disolventes ni limpiadores abrasivos en las superficies de acrílico.** Los disolventes y los productos de limpieza abrasivos pueden dañar la superficie de la bañera.
- Limpie su bañera acrílica con un paño suave después de cada uso.
- Evite detergentes, desinfectantes o productos de limpieza en aerosol.

Cuidado y limpieza (cont.)

NOTA: Para restaurar las unidades opacas o rayadas: Aplique un compuesto de pulir blanco para autos con un trapo limpio. Frote enérgicamente las áreas rayadas y opacas. Limpie los residuos. A continuación aplique una capa de cera en pasta blanca para autos. No aplique cera en las zonas donde se camina o donde se está de pie.

Limpieza del teclado del usuario y del control remoto

- Utilice un paño suave para limpiar el teclado y el control remoto después de cada uso. Si la superficie se ensucia, limpie con un jabón no abrasivo y agua tibia.

Mantenimiento de los jets de aire

- Si es necesario limpiar los jets de aire debido a depósitos de agua dura, utilice un cepillo interdental pequeño y vinagre blanco. Sumerja el cepillo en el vinagre, cepille el orificio, enjuague el cepillo en agua limpia y luego utilice el cepillo enjuagado para enjuagar el orificio.
- Llene la bañera de agua hasta la fila superior de jets de aire. Drene la bañera y oprima el botón de purga.

Para obtener información detallada de limpieza y de productos a considerar, visite www.kohler.com/clean. Para solicitar información sobre el cuidado y la limpieza, llame al 1-800-456-4537.

Resolución de problemas

AVISO: El propósito de esta sección es solo ayuda general. Todos los problemas eléctricos deben ser resueltos por un representante de servicio autorizado de Kohler Co. o un electricista calificado. Para obtener el servicio de garantía, llame 1-800-4KOHLER desde EE.UU. y Canadá, o al 001-800-456-4537 desde México.

Para consultar información sobre piezas de repuesto, visite la página de su producto en www.kohler.com/serviceparts.

Bañera con sistema de jets de aire

Síntomas	Causas probables	Acción recomendada
1. El soplador se enciende por sí mismo después de haber vaciado la bañera.	A. Funcionamiento normal. El modo de purga automática está funcionando según se diseñó.	A. No se requiere acción alguna. El modo de purga automática funciona durante 2 minutos, 30 minutos después de haber vaciado la bañera.
2. El soplador se apaga por sí mismo después de haber funcionado durante 2 minutos.	A. Se oprimió el icono de modo de purga en vez del icono de encendido/apagado.	A. Oprima el icono de encendido/apagado en el teclado. Consulte la sección "Instrucciones de funcionamiento".
3. El motor soplador no se enciende.	A. El cable de alimentación eléctrica del motor soplador está suelto, desconectado o dañado.	A. Revise que los cables estén correctamente conectados.
	B. El cable para el teclado está suelto o dañado.	B. Revise las conexiones de los cables. De ser necesario, cambie el cable del teclado del usuario.
	C. El teclado del usuario no funciona.	C. Cambie el teclado del usuario.
	D. El motor soplador no funciona.	D. Cambie el motor soplador.
4. El motor soplador deja de funcionar y no se enciende de inmediato.	A. El motor soplador se ha sobrecalentado y se ha activado el dispositivo de protección.	A. Verifique que no haya obstrucciones en la entrada de aire del soplador. Elimine la obstrucción y deje enfriar el motor.

Resolución de problemas (cont.)

Síntomas	Causas probables	Acción recomendada
5. El motor soplador arranca, pero no todos los jets de aire funcionan.	A. La velocidad del motor soplador es demasiado baja.	A. Aumente la velocidad.
	B. La entrada del motor soplador está obstruida.	B. Limpie la entrada del motor soplador.
	C. El motor soplador no funciona.	C. Cambie el motor soplador.
	D. La descarga del motor soplador está obstruida.	D. Elimine la obstrucción.
	E. Los jets de aire están tapados.	E. Utilice un cepillo interdental pequeño y vinagre blanco. Sumerja el cepillo en el vinagre, cepille el orificio, enjuague el cepillo en agua limpia y luego utilice el cepillo enjuagado para enjuagar el orificio.
6. El motor soplador funciona, pero no se observan burbujas de aire.	A. La entrada del motor soplador está obstruida.	A. Limpie la entrada del motor soplador.
	B. Los jets de aire están obstruidos.	B. Utilice un cepillo interdental pequeño y vinagre blanco. Sumerja el cepillo en el vinagre, cepille el orificio, enjuague el cepillo en agua limpia y luego utilice el cepillo enjuagado para enjuagar el orificio.
	C. El motor soplador no funciona.	C. Cambie el motor soplador.
7. El motor soplador funciona, se observan burbujas de aire, pero la función de velocidad no funciona.	A. La entrada del motor soplador está obstruida.	A. Limpie la entrada del motor soplador.
	B. El arnés de cableado está suelto, desconectado o dañado.	B. Revise que los cables estén correctamente conectados. Cambie el arnés de cableado de ser necesario.
	C. El teclado del usuario no funciona.	C. Cambie el teclado del usuario.
	D. El motor soplador no funciona.	D. Cambie el motor soplador.
8. El motor soplador no se apaga cuando se oprime el botón de encendido/apagado.	A. El teclado del usuario no funciona.	A. Cambie el teclado del usuario.
	B. El arnés de cableado está suelto, desconectado o dañado.	B. Revise que los cables estén correctamente conectados. Cambie el arnés de cableado de ser necesario.
	C. El control no funciona.	C. Cambie el control.
9. El modo de purga no funciona.	A. El teclado del usuario no funciona.	A. Cambie el teclado del usuario.
	B. El control no funciona.	B. Cambie el control.
10. La bañera no se purga automáticamente.	A. El soplador no funciona.	A. Cambie las pilas.

Superficie de calefacción

Síntomas	Causas probables	Acción recomendada
11. La bañera con calefacción no se enciende.	A. La fuente de suministro eléctrico no recibe alimentación.	A. Establezca o restablezca el interruptor GFCI o RCD; revise el cableado.
	B. El cable para el teclado del usuario está suelto o dañado.	B. Revise las conexiones de los cables. De ser necesario, cambie el cable del teclado del usuario.
	C. El teclado del usuario no funciona.	C. Revise las conexiones de los cables. Cambie el teclado del usuario.

Resolución de problemas (cont.)

Síntomas	Causas probables	Acción recomendada
	D. La fuente de suministro eléctrico no funciona.	D. Cambie la fuente de suministro eléctrico.
12. La bañera está encendida, pero el calor es muy poco o no calienta.	A. El cable del calentador está suelto o dañado. B. El calentador/aislamiento está suelto en la bañera. C. El indicador de calor está amarillo o anaranjado. D. El calentador no funciona. E. El sensor de temperatura no funciona.	A. Revise las conexiones de los cables. De ser necesario, cambie el cable del calentador. B. Fije el calentador/aislamiento a la bañera. C. Oprima la flecha [Hacia arriba] para aumentar la temperatura. D. Cambie el calentador. E. Cambie el calentador.
13. La temperatura no se restablece automáticamente a nivel bajo después de 1 hora.	A. El sensor de temperatura no funciona.	A. Cambie el calentador y/o el teclado.
14. El indicador de calor parpadea en rojo.	A. Es necesario restablecer el sistema de calefacción. B. El calentador no funciona.	A. Oprima el icono [Encendido] para apagar la alimentación eléctrica. Espere 10 segundos, luego vuelva a encender. B. Cambie el calentador.
15. El indicador de calor parpadea en amarillo.	A. Es necesario restablecer el sistema de calefacción. B. El sensor de temperatura no funciona.	A. Oprima el icono [Encendido] para apagar la alimentación eléctrica. Espere 10 segundos, luego vuelva a encender. B. Cambie el calentador.

Garantía

GARANTÍA LIMITADA DE UN AÑO

Se garantizan los productos de plomería KOHLER contra defectos de material y mano de obra durante un año a partir de la fecha de instalación.

Kohler Co., a su criterio, reparará, reemplazará o realizará los ajustes pertinentes en los casos en que la inspección realizada por Kohler Co. determine que dichos defectos hayan ocurrido durante el uso normal en el transcurso de un (1) año a partir de la fecha de instalación. Kohler Co. no se hace responsable de costos de desinstalación o de instalación. **El uso de limpiadores de inodoro que se colocan dentro del tanque anula la garantía.**

Para obtener el servicio de garantía, comuníquese con Kohler Co. a través de su distribuidor, contratista de plomería, centro de remodelación o distribuidor por Internet, o escriba a Kohler Co., Atención: Customer Care Center, 444 Highland Drive, Kohler, WI 53044, EE.UU., o llame al 1-800-4-KOHLER (1-800-456-4537) desde los EE.UU. y Canadá, o al 001-800-456-4537 desde México, o visite www.kohler.com desde los EE.UU., www.ca.kohler.com desde Canadá, o www.mx.kohler.com en México.

TODA GARANTÍA IMPLÍCITA, INCLUIDA LA DE COMERCIALIZACIÓN E IDONEIDAD DEL PRODUCTO PARA UN USO DETERMINADO, SE LIMITA EXPRESAMENTE A LA DURACIÓN DE ESTA GARANTÍA. KOHLER CO. Y/O EL VENDEDOR DESCARGAN TODA RESPONSABILIDAD POR CONCEPTO DE DAÑOS PARTICULARES, INCIDENTALES O INDIRECTOS. Algunos estados/provincias no permiten limitaciones en cuanto a la duración de una garantía implícita o a la exclusión o limitación de daños particulares, incidentales o indirectos, por lo que es posible que estas limitaciones y exclusiones no se apliquen a su caso. Esta garantía le otorga ciertos derechos legales específicos. Además, usted también puede tener otros derechos que varían de estado a estado y de provincia a provincia.

Garantía (cont.)

Esta es la garantía exclusiva por escrito de Kohler Co.

Garantía

Para México

KOHLER CO.

Se recomienda que al momento de la compra, se verifique que todos los accesorios y componentes estén completos en esta caja.

Se garantiza este producto Kohler contra defectos en material y mano de obra durante un (1) año a partir de la fecha de compra que aparezca en la factura o en el recibo.

1. Kohler Co. prestará servicio únicamente a los productos comercializados a través de sus distribuidores autorizados.
2. Para obtener el servicio de garantía, favor de presentar la factura de compra y la garantía correspondiente.
3. Kohler Co., a través de sus distribuidores autorizados, se compromete a reparar el producto defectuoso o, cuando la reparación no sea posible, reemplazarlo por uno nuevo o por un modelo equivalente (en caso de que el producto haya sido descontinuado) sin ningún cargo al consumidor.
4. El tiempo de reparación no excederá seis (6) semanas a partir de la fecha de recepción del producto.
5. Se recomienda al consumidor que conserve el recibo o la factura de compra como protección adicional, pues el mismo puede sustituir a la garantía en caso de que exista discrepancia en cuanto a la validez de la misma.

EXCEPCIONES Y RESTRICCIONES

La garantía no tendrá validez en los siguientes casos:

1. Cuando el producto no se utilice conforme a las instrucciones de uso y funcionamiento que se incluyen en el manual del usuario o en las instrucciones de instalación, y cuando no observen las recomendaciones y las advertencias provistas.
2. Cuando el producto se haya modificado o desmantelado parcial o totalmente, o manipulado de manera negligente y, como consecuencia, haya sufrido daños atribuibles al consumidor, a personas o a herrajes no autorizados por Kohler Co.
3. Esta garantía no cubre los daños que resulten de desastres naturales, tales como incendios o casos de fuerza mayor, como inundaciones, terremotos, tormentas eléctricas, etc. Para obtener una lista de distribuidores cerca de usted y así hacer valer sus derechos bajo esta garantía, llame al 001-800-456-4537.

KOHLER CO., KOHLER, WI 53044 U.S.A.

IMPORTADOR:

COMERCIALIZADORA INTERCERAMIC, S.A. DE C.V.

AV. CARLOS PACHECO NO. 7200, COL. MADERA 65

CHIHUAHUA, CHIH., MÉXICO C.P. 31060

R.F.C. CIN141022IE9

TEL: 52 (614) 429-11-11

IMPORTADOR:

GAMA MATERIALES Y ACEROS, S.A. DE C.V.

AVE. LOS ÁNGELES NO. 1800

COL. VALLE DEL NOGALAR, SAN NICOLÁS DE LOS GARZA

N.L. MÉXICO

Garantía (cont.)

R.F.C. GMA901220U11

TEL: 81-1160-5500

USA/Canada: 1-800-4KOHLER

México: 001-800-456-4537

kohler.com

THE BOLD LOOK
OF **KOHLER**®

©2016 Kohler Co.

1204119-2-D