

Features

- Single-speed whirlpool offers performance and value, with 6 fully adjustable jets.
- Hydromassage flow and direction can be controlled at each jet.
- Generous 6-foot oval basin provides an incredibly spacious bathing area for up to two people.
- Molded lumbar support and armrests offer extra comfort while bathing.
- Multiple pump location options give you more choices for installation and access. (See specification sheet for pump locations.)

Material

- Acrylic.

Hydrotherapy

- Whirlpool.

Installation

- Reversible drain.
- Drop-in.

Recommended Products/Accessories

K-7213 27" Cable Bath Drain
K-7214 27" Cable Bath Drain
K-24916 Wireless Music Kit
K-23726 Drain treatment
K-23732 Tub & shower cleaner
K-7161-AF 1-1/2" adjustable pop-up drain above- or through-floor
K-37383 Rough-in cable bath drain, PVC, 30" cable with tubing
K-7265 Brass toe tap bath drain
K-37386 rough-in cable drain, PVC, 30" cable
K-7166-AF Bath Drain
K-37380 30" Rough-in Cable Bath Drain



Codes/Standards

ASME A112.19.7/CSA B45.10
CSA B45.5/IAPMO Z124
UL 1795




**KOHLER® Plastic Baths and Receptors
Lifetime Limited Warranty
KOHLER® Hydrotherapy Components
Five-Year Limited Warranty**

See website for detailed warranty information.

Available Colors/Finishes

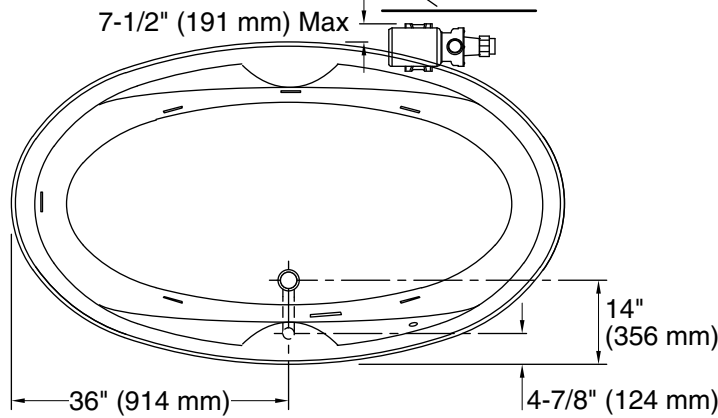
Color tiles intended for reference only.

Color	Code	Description
-------	------	-------------

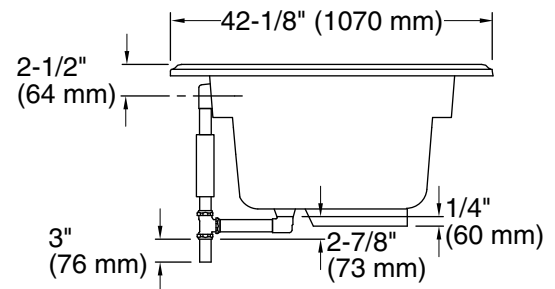
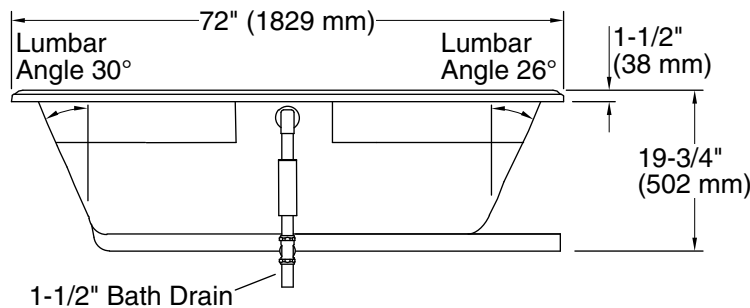
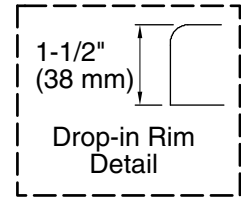
	0	White
	96	Biscuit
	47	Almond

Pump/Control Access

20" (508 mm) W x 15" (381 mm) H Min



No change in measurements if connected with drain illustrated. (K-11677)



Required Electrical Service

One dedicated circuit required, protected with Class A Ground-Fault Circuit-Interrupter (GFCI). Outside North America, this device may be known as a Residual Current Device (RCD).

Pump: 120 V, 15 A, 60 Hz

Technical Information

All product dimensions are nominal.

Installation:	Drop-in
Drain location:	Center
Basin area, bottom:	53" x 26" (1346 mm x 660 mm)
Basin area, top:	65" x 34" (1651 mm x 864 mm)
Weight:	74 lbs (33.6 kg)
Minimum floor load:	36 lbs/ft ² (175.8 kg/m ²)
Water depth:	15" (381 mm)
Water capacity:	78 gal (295.3 L)
Template:	Drop-in, 114861-7, required, included
Electrical component rating:	Pump: 120 V, 7.5 A, 60 Hz
Pump speed:	Single

Notes

Measure your actual product for rough-in details. Install this product according to the installation instructions.

The hot water supply should be 70% of the capacity of the bath or greater. Installations will vary.

Pump must be relocated to custom position at the time of installation. Provide adequate clearance.