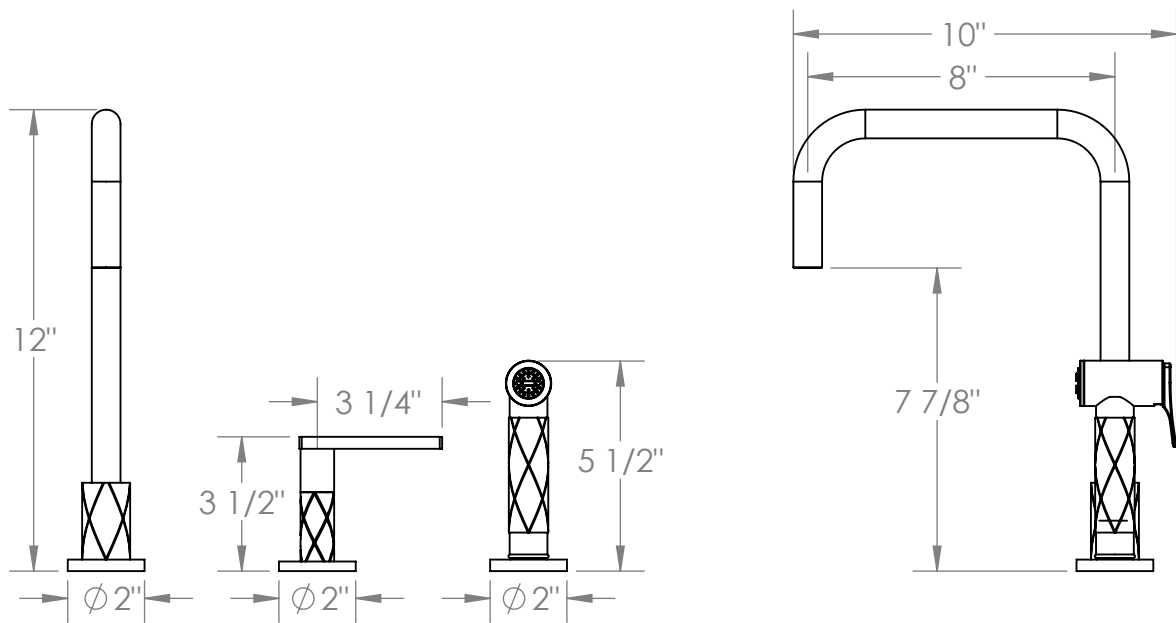


71-7.1.3A-LLD4

Deck Mounted 3 Hole Kitchen Set - Includes Side Spray
Faucet Flow Rate: 1.75 GPM



Meets the applicable requirements of ASME A112.18.1-2005/CSA B125.1-05, entitled "Plumbing Supply Fittings"