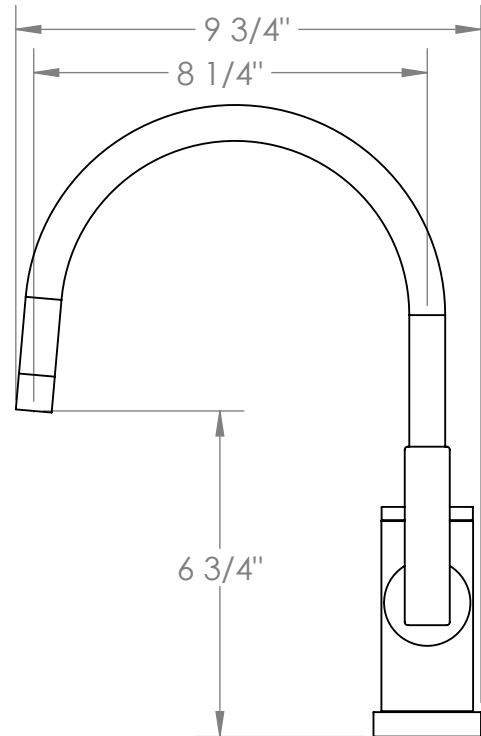
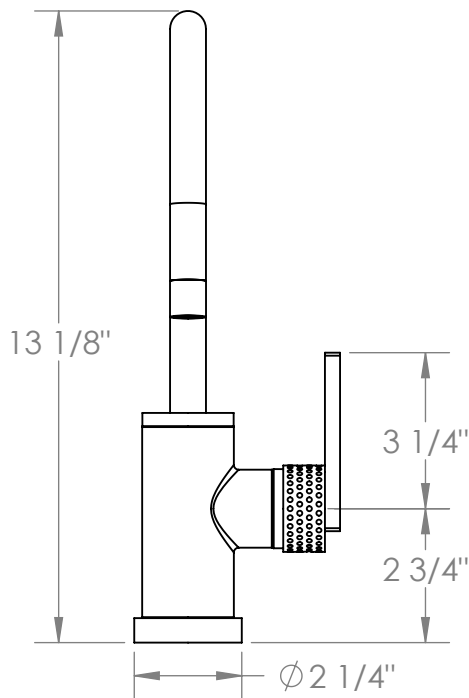


**71-7.3G-LLP5**

Deck Mounted Single Hole Gooseneck Kitchen Faucet  
Flow Rate: 1.75 GPM



Meets the applicable requirements of ASME A112.18.1-2005/CSA B125.1-05, entitled "Plumbing Supply Fittings"