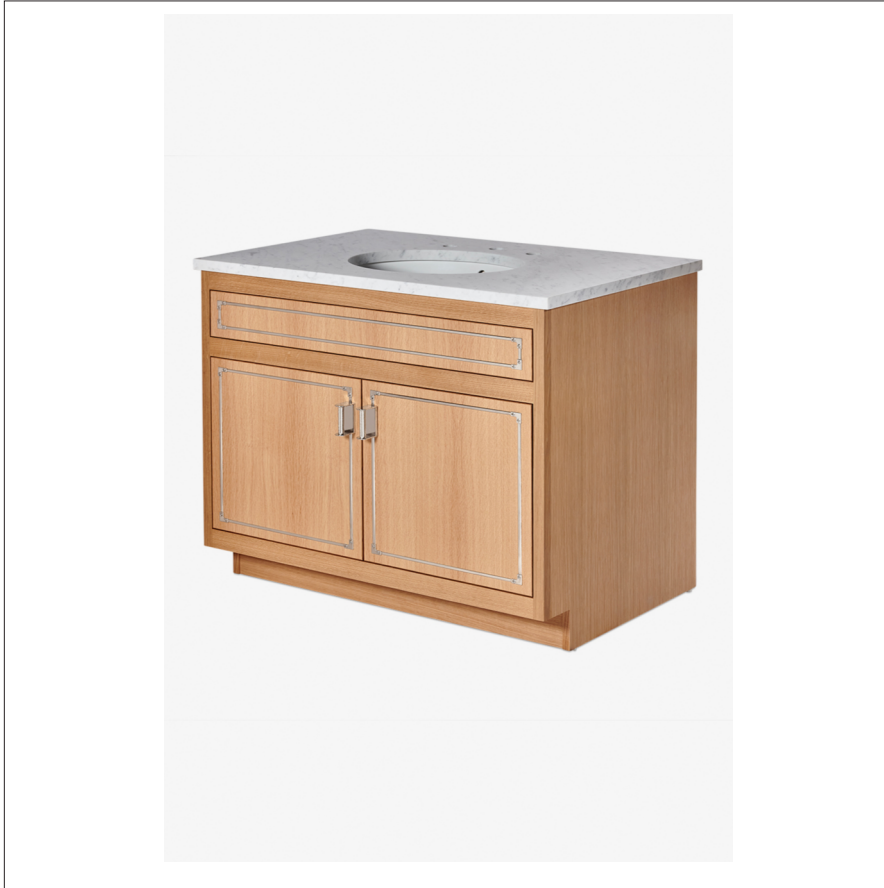


PULLMAN

100651

Pullman Single Vanity with Hardware 36" x 24" x 33 1/4"



FILEDESCRIPTION

TECHNICAL DETAILS

ADA Compliance: No
Adjustable Levelers / Feet: N
Fittings Hole Depth: 1 1/4"
Fittings Hole Diameter: 1 3/8"
Primary Material: Wood
Rough-in Supply Height Recommended: 21"
Rough-in Waste Height Recommended: 19"
Sink Visibility: N

INSPIRATION

A custom, layered look that transcends eras. Our exclusive design references iconic campaign furniture & Regency forms, with hand-applied metalwork & integrated hardware.

PRODUCT FEATURES

Vanity with Integrated Hardware

Stocked in Clear Oak, Antique Walnut Finish or Factory Finished in Chalk, Driftwood, Midnight, Steel, Franklin Gray, or Whisper

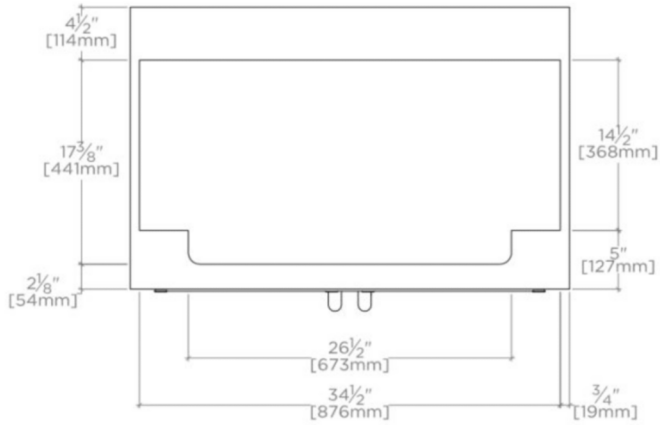
Specify Brass or Nickel Hardware when ordering

Top and Sink Sold Separately

PULLMAN

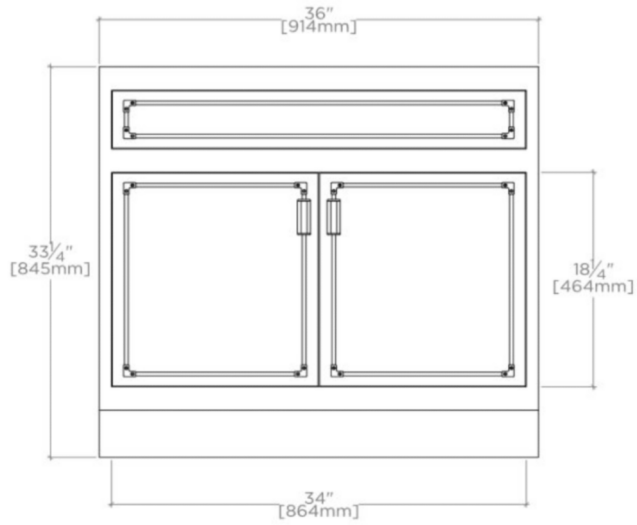
100651

Pullman Single Vanity with Hardware 36" x 24" x 33 1/4"



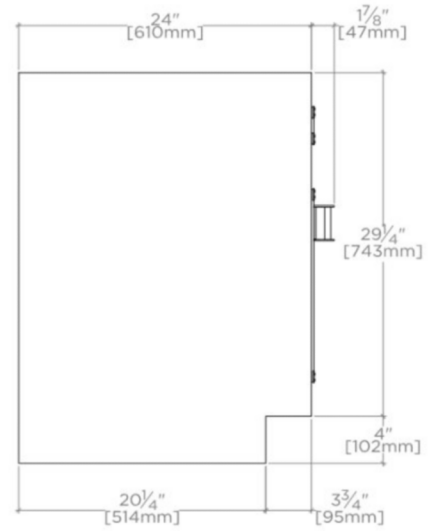
TOP VIEW

SCALE: 3/4"=1'-0"



FRONT VIEW

SCALE: 3/4"=1'-0"



SIDE VIEW

SCALE: 3/4"=1'-0"