

EB514



Collection: PARALLEL

Finish*:



Main features:



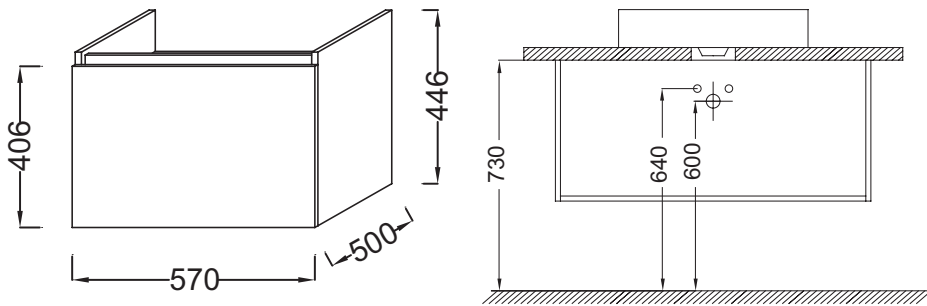
Features

- DIMENSIONS: 57 x 57 x 44.60 cm
- MATERIAL: Lacquer or melamine
- STORAGE TYPE: Drawer
- WEIGHT: 17 kg
- INSTALLATION TYPE: Wall-hung

Consumer benefits

- DESIGN: Clever design that suits all needs
- OPTIMIZED STORAGE: 1 slow-close drawer
- SOUND COMFORT: Drawer equipped with a damper close system

Technical drawing



Product Specification: Base unit for countertop, 1 drawer. EB514. Collection: PARALLEL. DIMENSIONS: 57 x 57 x 44.60 cm. WEIGHT: 17 kg. MATERIAL: Lacquer or melamine. INSTALLATION TYPE: Wall-hung. STORAGE TYPE: Drawer.

**Due to possible variations in computer and printer calibrations, technical factors and certain finish characteristics, the colors you see may not accurately portray the actual colors and are provided as a guide only.*