

IMPORTANT

Thank you for choosing Merlyn. Please familiarise yourself with the fitting instructions before commencing fitting.

1. Check that you have the tools required.
2. Check that the installation site is compatible with size of door supplied
3. Check all the enclosure components.
4. Check that the installation kit is complete

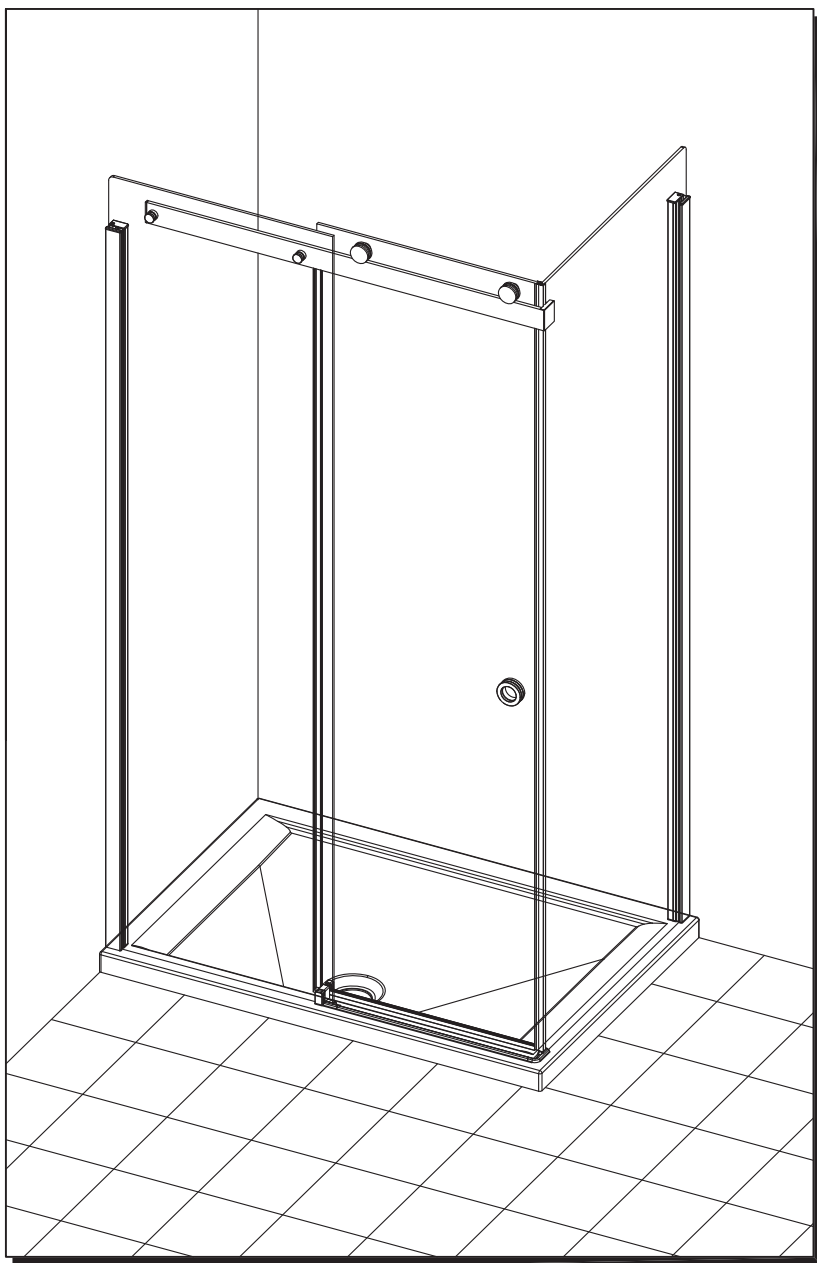
DO NOT attempt to install the product unless you can tick ALL 4 boxes as satisfactory.

The wall plugs supplied with the installation kit are for use in solid walls. Hollow or 'stud-partition' walls will require alternative fixings. Please consult a hardware supplier for the correct type.

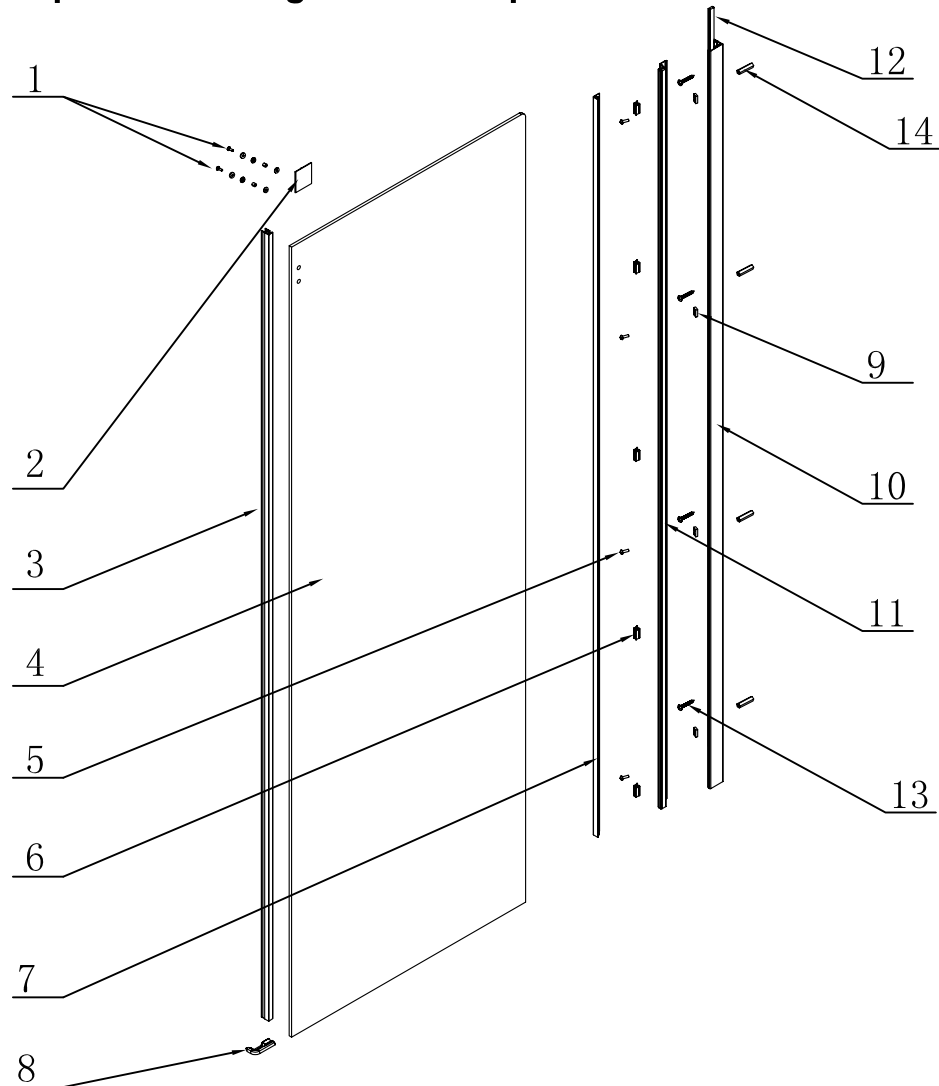
It may also be necessary to consult your tiling supplier about the correct method for drilling your tiles.

USE SAFETY EYEWEAR WHEN DRILLING

Any parts missing or damaged must be reported to your supplier within 5 days of purchase. Inspect shower enclosure before fitting. No claims will be acceptable after product has been installed.



Note: Door Components are listed the in the Sliding Door instructions – shown are the extra parts for fitting with a side panel.

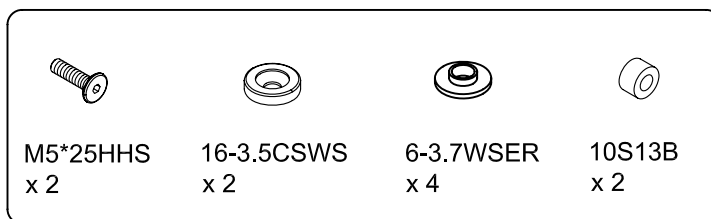
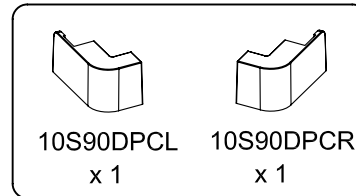
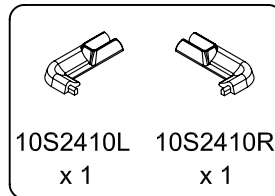
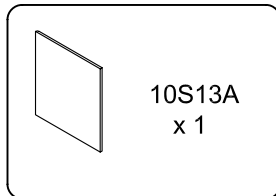


No.	Description	QTY	Part No.	No.	Description	QTY	Part No.
1	M5×25 Side panel fixing screw	2	M5*25HHS	13	Wall fixing screws ST4*30	4	ST4*30B
2	Side panel End rail cover cap	1	10S13A	14	Standard Wall plug 6*30	4	6*30WSER
3	Side panel upright closing seal	1	10S08P2089				
4	Side panel	1	A				
	Complete wall profile (10mm) 1950 - includes parts 5,6,9,10,11,12	1	10SWPSET1950				
5	Clamping screws M5*16	4	M5*16R				
6	Nylon clip - wall profile	5	10S27				
7	Trim strip - 1950	1	10S03AP1950				
8	Side panel footplate 10mm	2	10S2410L/R				
9	Clamping block for wall profile	4	10S22				
10	Wall profile - Main section (10mm)	1	10S01AP1950				
11	Wall profile - Inside section(10mm)	1	10S02AP1950				
12	Wall profile clamping seal	2	10S07P1950				

Note: Further part details for fixing kit available on page 2

Note: Door Components are listed the in the Sliding Door instructions – shown are the extra parts for fitting with a side panel.

Fixing Kit Components *(Parts shown are not to scale)*



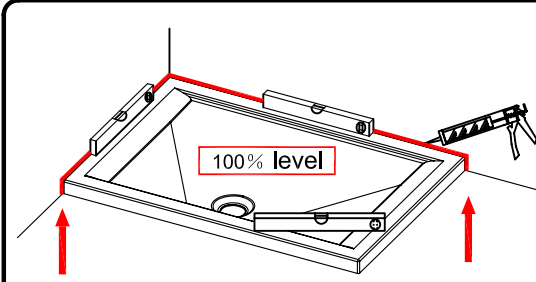
Tools Required

- 6mm masonry drill bit
- Power drill
- Quality Silicone
- Pencil
- Tape Measure
- #2 Philips Head screw driver
- Spirit level with horizontal and vertical level indicators

IMPORTANT - Installation site

1. Ensure the top surface of the shower tray on which the enclosure will be installed is level in every direction.
2. The tiles or other wall finishing should be effectively sealed at the tray edges.
3. Tiles should extend at least to the corners of the tray and a minimum of 2.1 metres from the top of the tray.

PROCEDURE



TRAY MUST BE 100% LEVEL IN ALL DIRECTIONS

Ensure the shower tray is level in all directions and is properly sealed to the wall. The wall must be tiled down to the top edge of the tray. **Do not angle out bottom tile.**

TRAY MUST BE SEALED FULLY AROUND WHERE THE TRAY MEETS THE WALL.

Step 1.

Step the fixed panel wall profiles **10SWPSET1950** in 20mm from the front edge of the shower tray. Step the side panel wall profiles **10SWPSET1950** in 20mm from the edge of the shower tray. Ensure the wall profiles are plumb. **Note:** Do not remove protective plastic on outside of wall profiles until just before sealing.

Step 2.

Mark the position for fixing the wall profile to the wall. **IMPORTANT:** Must mark the centre of all slots in wall profile as the extra will be needed for adjustment later on.

Step 3.

Drill hole (**THROUGH THE CENTRE OF THE SLOT**) with 6mm masonry drill bit and insert the wall plugs **6*30WSER**.

Step 4.

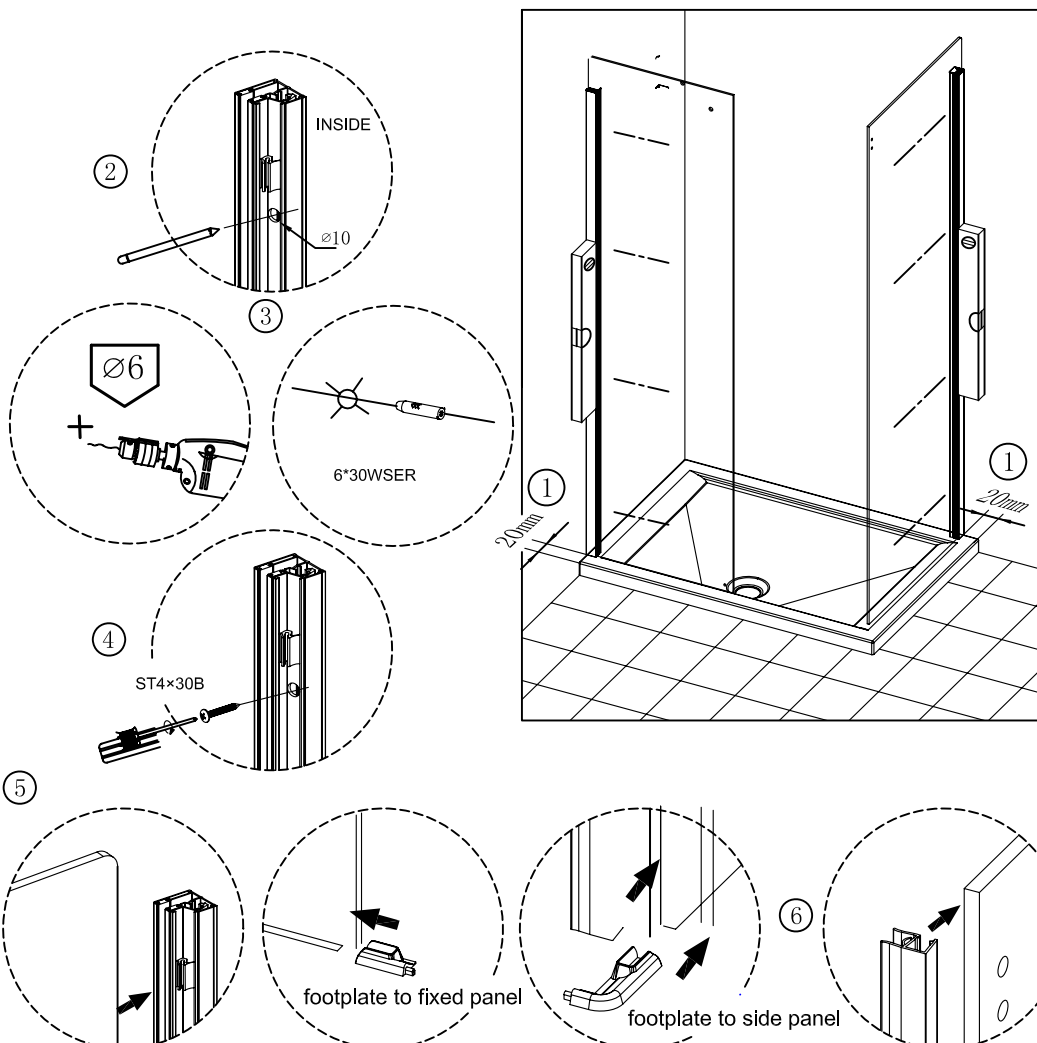
Fix the wall profile to the wall through the centre of the slot with screws **ST4*30B**. Repeat for second wall profile.

Step 5.

Insert the fixed panel and side panel fully into the wall profiles (when slotted in fully - should be no gap behind the glass) ensuring footplates **10S2310L/R** are on the bottom corners of the fixed panel and footplate **10S2410** is on the bottom of the side panel.

Step 6.

Fit the side panel upright seal **10S08P2089** to the edge of the side panel with it resting on top of the side panel footplate **10S2410**.

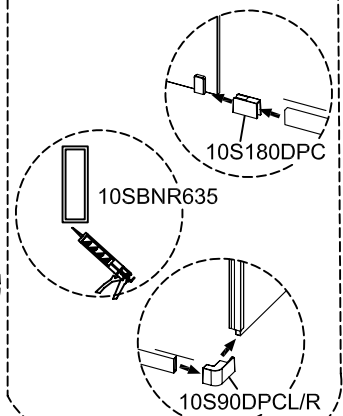


NOTE: Only silicone the wall profile after fixing to the wall (see sealing section).

Do not silicone on the back of the wall profile before fixing to the wall.

OPTIONAL RAIL IF USING POWER SHOWER CLOSE TO MOVING PANEL.

IF you are using a Power shower that will be directed towards the door or bottom of the door panel, we would advise using this higher bottom rail instead of the standard luna rail **10S28P527** and footplates **10S2310L/R**. Seal the luna rail to the floor/ tray tightly using silicone. **Cut to length only of required, DO NOT cut too short.**



Step 7.

Fix the top rail (slot on inside to bottom) to the fixed panel by inserting part **10S17P1** through the holes in the glass from the outside, and positioning chrome disc **10S17P2** between the rail and glass and fix with screw **M8*30HHCS** and 5mm hex key. Ensure the 3 washers are present on each fixing point as shown.

Step 8.

Remove glass stopper **10S12** from the rail block. Fit the side panel to the **INSIDE** of the rail by inserting screw **M5*25HHS** from inside through chrome disc **10S16-3.5CSWS** and all washers and fix through the glass into the rail. Ensure the rail is level. Tighten wall profiles onto the glass in 2 places until final adjustment is completed.

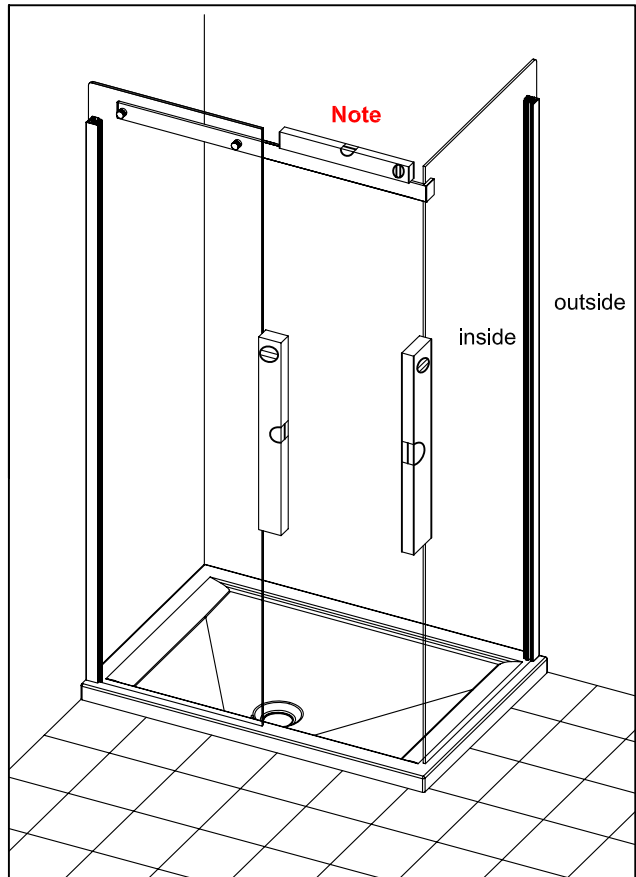
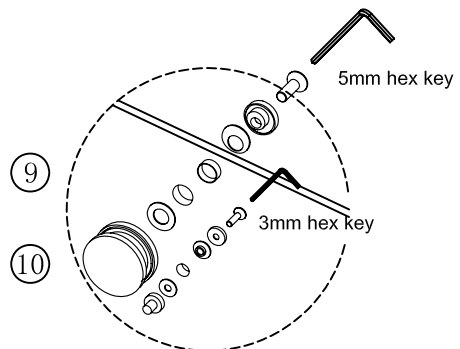
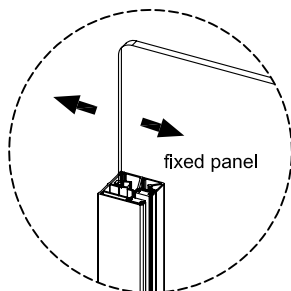
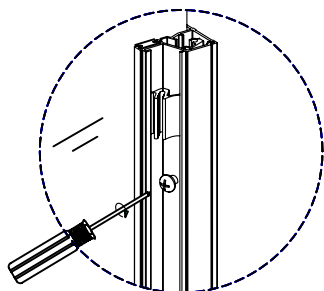
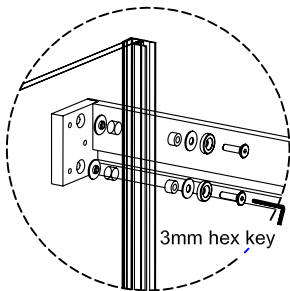
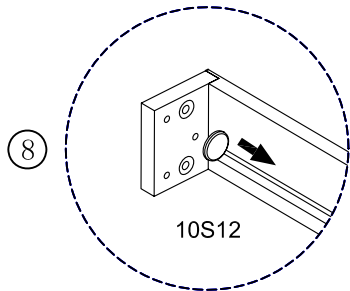
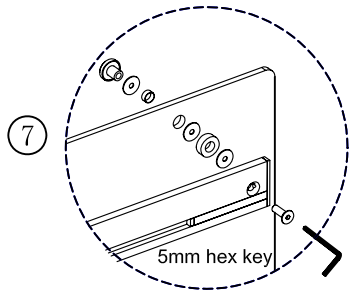
Step 9.

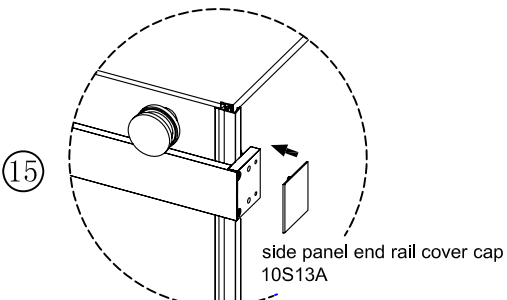
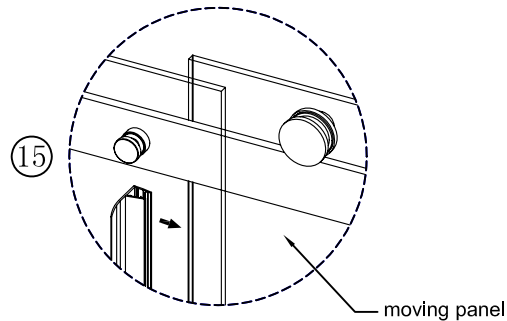
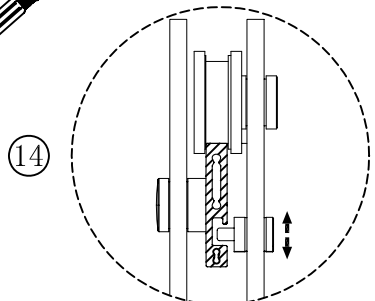
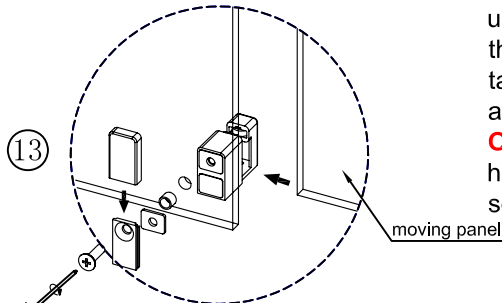
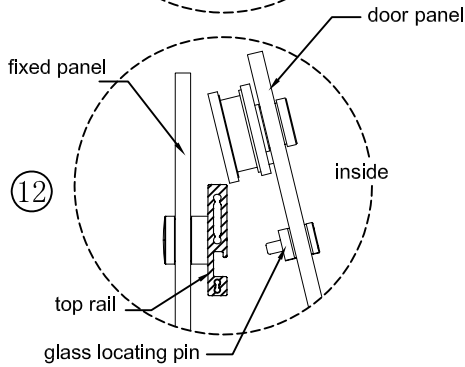
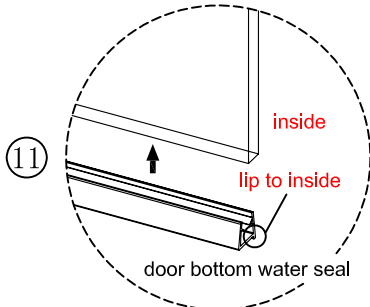
Attach the rollers **10SWHEEL** to the moving panels by inserting screw **M8*30HHCS** through the chrome disc **10SRINF** and glass and attach to the roller. Ensure washers are present.

Note: Ensure rollers and locating pin are positioned so the outside label on the glass panel will be on the outside when the door is hung on the top rail.

Step 10.

Attach the glass locating pin **10S16** by inserting screw **M5*20HHCS** through chrome disc **10S17P2** and the glass and attach to the locating pin **10S17P1**. Ensure washers are present.





Step 11.

Attach the bottom seal **10S10BP660** to the bottom of the moving panel (lip on seal to inside). **Note:** If later in the fitting, you need to reduce the front of the bottom seal to allow the door panel to fit into the upright seal, do so. Seal may need to be adapted to size.

Step 12.

At the door opening, from the inside (with bottom of door angled towards back wall) slot the top rollers onto the rail (where opening is) ensuring the locating pin goes into the slot on the rail. **Note:** Ensure the locating pin does not scratch the inside of the top rail when fitting the moving panel.

Step 13.

Assemble bottom glide housing **10S11AMB** onto the bottom of the door panel and position at the corner of the fixed panel. Insert screw **M6*25CSCR** through plate **10S11AP1**, washer **10S11AP5** and glass and into the glide housing. Slot on cover cap **10S11AP4**.

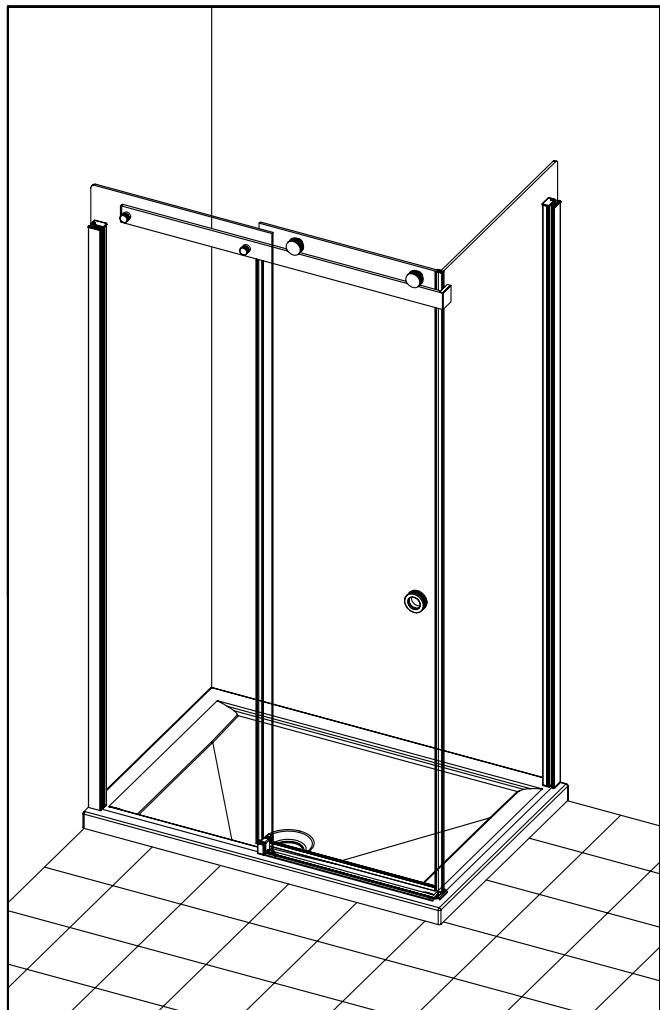
Step 14.

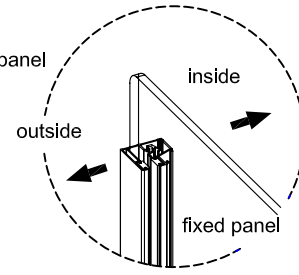
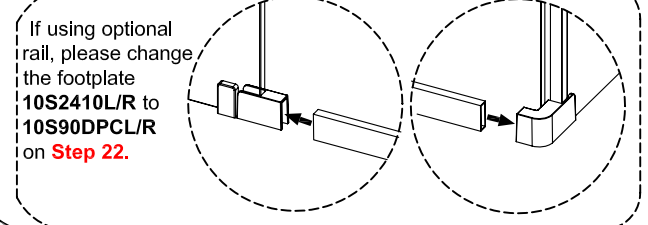
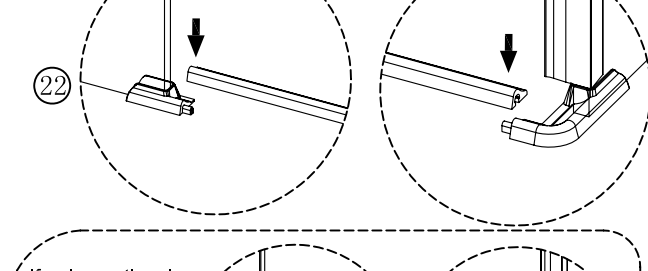
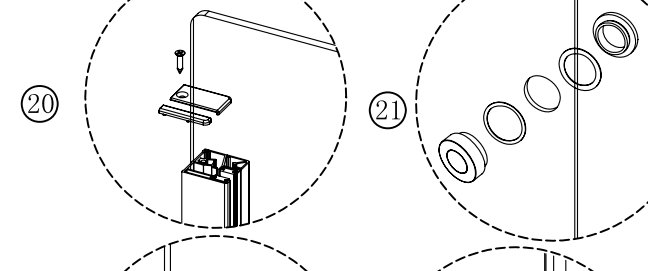
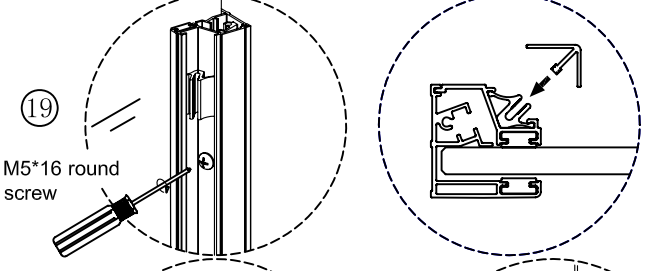
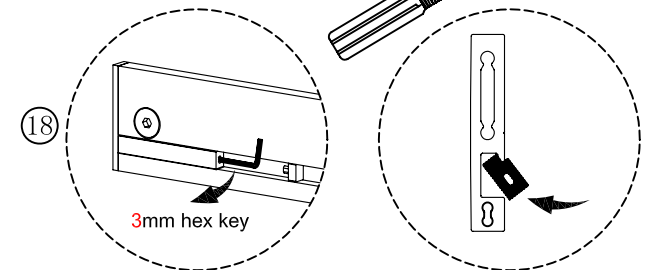
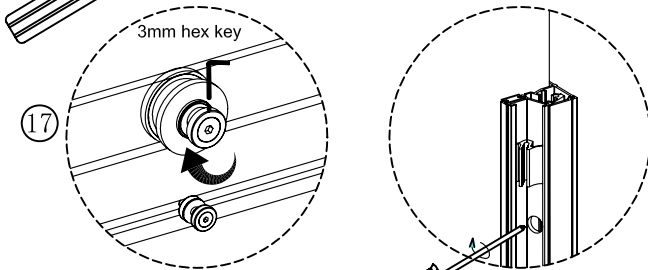
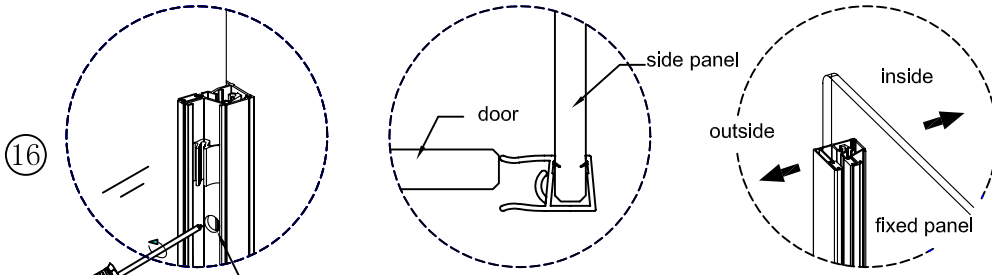
Temporarily adjust locating pin so it is in the middle of the slot on the rail.

Step 15.

Fit upright seal **10S09P1970** to the back of the door panel. The upright seal should fit on top of the bottom seal fitted in step 11. Fit the side panel end rail cover cap **10S13A**. Remove the cover on the tape, **POSITION CAREFULLY** and stick onto the end of the rail – apply pressure for 5 seconds to ensure it sticks correctly.

Option – If the upright seal **10S09P1970** on the back of the door is hitting the glide **10S11AMB**, cut 25-30mm of the bottom of the seal so it sits level with the top of the glide.





Step 16.

If required: to ensure the door closes correctly into the upright seal, loosen where the wall profiles are fixed to the wall and push in or out to align the door panel correctly.

Step 17.

The rollers can be adjusted to alter the height of the door panel and the closing position. Loosen screw and rotate inner disc **10SRINF** (hole in the roller inner disc shows the high point of the roller - this can be used as a lever with a hex key to turn). When adjustment is finished, tighten fixing to wall. Ensure locating pin is still central in the slot and tighten.

Step 18.

The closing point on the moving panel can be changed so the door handle does not go fully behind the fixed panel. **FULLY** insert the 3mm hex key into the rubber stop (slide plastic cap forward) and use as a lever to gently pull out the stop – adapt to required length and re-insert. Alternatively push in the longer roller stop **10S06AP165** from the bottom.

WARNING: BY USING THE BIGGER OPENING SPACE AND ALLOWING THE MOVING PANEL TO FULLY OPEN, THE HANDLE WILL GO FULLY BEHIND THE FIXED PANEL. BE CAREFUL NOT TO INJURE YOUR HAND!!

NOTE: If you want a bigger opening space, we advise you to use the handle **10S03**.

Step 19.

Tighten all clamping screws in the wall profile. Clip on wall profile trim strip **10S03AP1950** to inside of wall profile. Remove the protective layer on the outside of the wall profile.

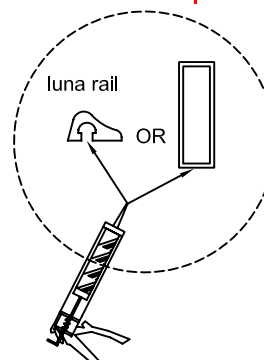
Step 20.

Insert outer wall profile cover caps (use a dab of silicone underneath to hold) and fix inside cover caps with screw **ST4*16G**.

Step 21.

Attach outer handle **10S03**- ensure washers are present on both sides of the glass. **Alternative option 1** - Instead of using the handle **10S03**, you can use the handle **10S19P4**, but need to change the roller stop to the longer one.

Alternative option 2 - With handle **10S19P4** you can insert disc **10SDISC** into the middle of the handle to blank off the hole. **Note:** Handle cannot be removed once fitted tightly.



Step 22.

Fit Luna rail **10S28P588** to footplates. Use a small bead of silicone along the underneath of the rail to fix to the tray. Luna rail may require adapting to length.

If using optional rail, please change the footplate **10S2410L/R** to **10S90DPCL/R** on **Step 22**.

Step 23.

Use a quality silicone sealant and applicator gun to seal the finished door.

SEALING INSIDE

Seal top to bottom on the **INSIDE** between the wall profile and the wall.

Note: do not apply sealant on the inside of the tray

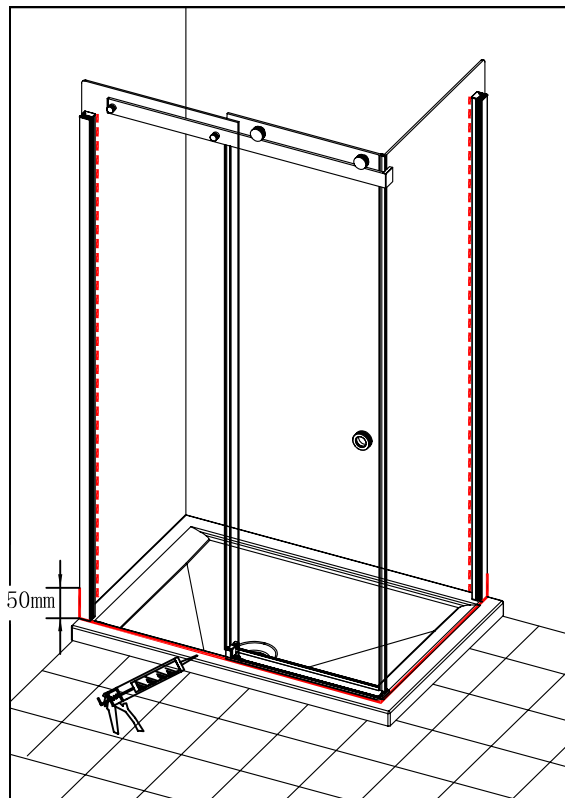
SEALING OUTSIDE

Seal only along bottom on the **OUTSIDE** between glass/rail/profile and the tray and approx 50mm up between the wall profile and the wall.

24 HRS



DO NOT use the enclosure for 24 hrs after sealing.



TROUBLE SHOOTING GUIDE

DOOR NOT ALIGNING

1. Is the tray 100% level? (see page 3)
2. Have the walls been checked at different levels to ensure consistency?
3. Is the fixed panel wall profile stepped in 20mm from the edge of the tray and the side panel wall profile stepped in 20mm from the edge of the tray? (see step 1)
4. Do the finished tile measurements on the tray comply with the adjustment listed on the label and in the specifications book?
5. Has the wall profile been adjusted in or out to ensure door closes properly? (see step 16)
6. Are the rollers properly adjusted? (see step 17)
7. Is the top rail level? (see step 7)

DOOR LEAKING

1. Is the bottom seal fitted on the glass panel? (see step 11)
2. Are the upright seals fitted? (see step 6 and 15)
3. Is the door sealed correctly? (see step 23)
4. Does the door seal need to be reduced in length so the door closes fully into the closing profile? (see step 11)
5. If door leaking under moving panel – Use the alternative option Higher luna rail as in page 3 and 6.

OTHERS

1. Door is hitting the bottom of the glider - adjust rollers to raise door (see step 17)
2. Opening space is too small – need to reduce the roller stop length (see step 18)
3. Rubbing/scratching noise when door is being opened and closed – locating pin is not adjusted. Must be in centre of slot on the top rail (See step 13)

SERIES10 SLIDING DOOR WITH SIDE PANEL

WE ARE SURE YOU WILL BE PLEASED WITH YOUR NEW MERLYN SHOWER DOOR.

Where a shower door has been installed contrary to these instructions, Merlyn cannot accept responsibility for any loss or damage, however caused, and any on-site service may incur a charge.

www.merlynbathrooms.com

FAILURE TO FOLLOW THE INSTRUCTIONS CORRECTLY MAY INVALIDATE YOUR GUARANTEE