

WALL-MOUNTED DOOR BUFFER AC218



Ø 45 x 110 mm

- Wall-mounted door buffer in solid, germ-reducing and easy-care stainless steel (AISI 303), satin finished. Further available surfaces: see below.
- Concealed anti-theft two-point rosette wall mounting.
- Holder diameter 16 mm
Length 110 mm
- With rubber buffer.
- Mounting with two screws.
- Delivery includes fixing material.
- Weight, including single package: 0.3 kg

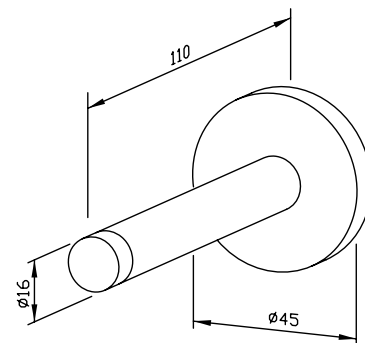


Suggested text for specifications:

Wall-mounted door buffer in solid stainless steel (AISI 303), satin finished, with rubber buffer for surface mounting. Concealed anti-theft two-point rosette wall mounting. Delivery includes fixing material.

Dimensions: Ø 45 x 110 mm

Article No. AC218



Available surfaces	ID No.
satin finished (standard)	700 218
highly polished	731 218

Ernst Wagner GmbH & Co. KG

Ernst-Abbe-Straße 21 · D-72770 Reutlingen · Tel.: +49712151539-0 · Fax: -20
info@wagner-ewar.de · www.wagner-ewar.de

WAGNER
E W A R