

E4701L



Collection: ODÉON UP

Finish*:



00 - White

Main features:



Features

- DIMENSIONS: 50 x 22.50 cm
- MATERIAL: Ceramic
- FAUCET DRILLING: 1 left tap hole
- INSTALLATION: COMPACT
- PRODUCT INCLUDED: (Tap not included)
- Overflow cover included
- WEIGHT: 6.7 kg
- INSTALLATION TYPE: Self-supporting or can be mounted on a specific cabinet
- TAP DRILLING: 1 tap hole
- OVERFLOW: With overflow hole
- RECOMMENDED TAPS: Aleo, a stylish, affordable range

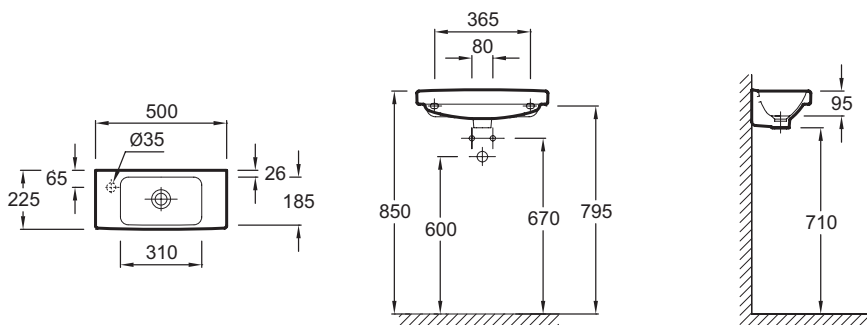
Consumer benefits

- DESIGN: Cleverly bold with a touch of elegance - a collection for the entire family
- COMPACT: Solution for small spaces
- EASIER CARE: Soft corners for fast, easy cleaning

Optional products

- E4721: Towel rail 50 cm

Technical drawing



Product Specification: Compact handwash basin. E4701L. Collection: ODÉON UP. DIMENSIONS: 50 x 22.50 cm. WEIGHT: 6.7 kg. MATERIAL: Ceramic. INSTALLATION TYPE: Self-supporting or can be mounted on a specific cabinet. FAUCET DRILLING: 1 left tap hole. TAP DRILLING: 1 tap hole. INSTALLATION: COMPACT. OVERFLOW: With overflow hole. PRODUCT INCLUDED: (Tap not included). RECOMMENDED TAPS: Aleo, a stylish, affordable range. Overflow cover included.

*Due to possible variations in computer and printer calibrations, technical factors and certain finish characteristics, the colors you see may not accurately portray the actual colors and are provided as a guide only.