

E4799G



Collection: ODÉON UP

Finish*:



00 - White

Main features:



Features

- DIMENSIONS: 40 x 25 cm
- MATERIAL: Ceramic
- TAP DRILLING: 1 tap hole
- OVERFLOW: With overflow hole
- WEIGHT: 5.5 kg
- INSTALLATION TYPE: Self-supporting
- INSTALLATION: STANDARD
- RECOMMENDED TAPS: Aleo, a stylish, affordable range

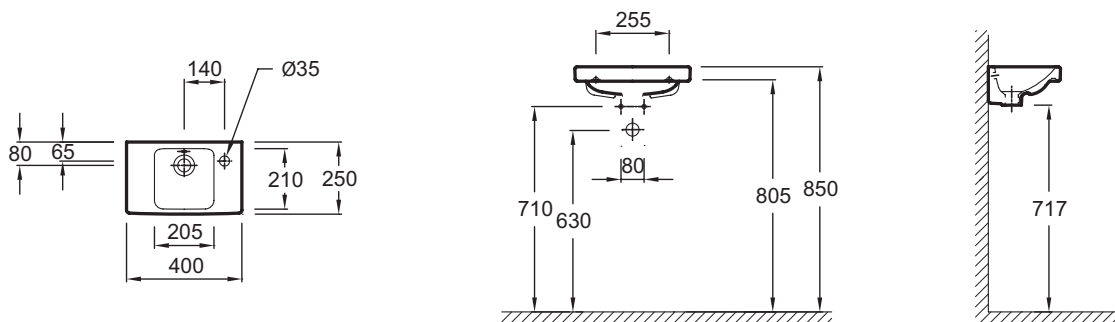
Consumer benefits

- DESIGN: Cleverly bold with a touch of elegance - a collection for the entire family
- COMPACT: Solution for small spaces
- EASIER CARE: Soft corners for fast, easy cleaning

Optional products

- E78297: Design bottle trap, short version

Technical drawing



Product Specification: Handwash basin 40 cm. E4799G. Collection: ODÉON UP. DIMENSIONS: 40 x 25 cm. WEIGHT: 5.5 kg. MATERIAL: Ceramic. INSTALLATION TYPE: Self-supporting. TAP DRILLING: 1 tap hole. INSTALLATION: STANDARD. OVERFLOW: With overflow hole. RECOMMENDED TAPS: Aleo, a stylish, affordable range.

**Due to possible variations in computer and printer calibrations, technical factors and certain finish characteristics, the colors you see may not accurately portray the actual colors and are provided as a guide only.*