

### Features

- End drain.
- Integral lumbar support.
- Textured bottom surface.
- 66" (1676 mm) x 32" (813 mm) x 18-1/4" (464 mm)

### Material

- Cast iron with Safeguard® finish.

### Installation

- Drop-in.

### Recommended Products/Accessories

- K-585 Under-Mount Installation Kit
- K-1172 Adjustable feet
- K-1491 Bath/Whirlpool Pillow
- K-1601 Bath/Whirlpool Footstop
- K-7213 27" Cable Bath Drain
- K-7214 27" Cable Bath Drain
- K-7161-AF 1-1/2" adjustable pop-up drain above- or through-floor
- K-7259 Clearflo Bath Drain
- K-1179 Vinyl Tiling-in Bead
- K-23726 Drain treatment
- K-23725 Cast iron cleaner



ADA

### Codes/Standards

ASME A112.19.1/CSA B45.2  
ASTM F462  
ADA  
ICC/ANSI A117.1



### KOHLER® Enameled Cast Iron Bath and Shower Base Lifetime Limited Warranty

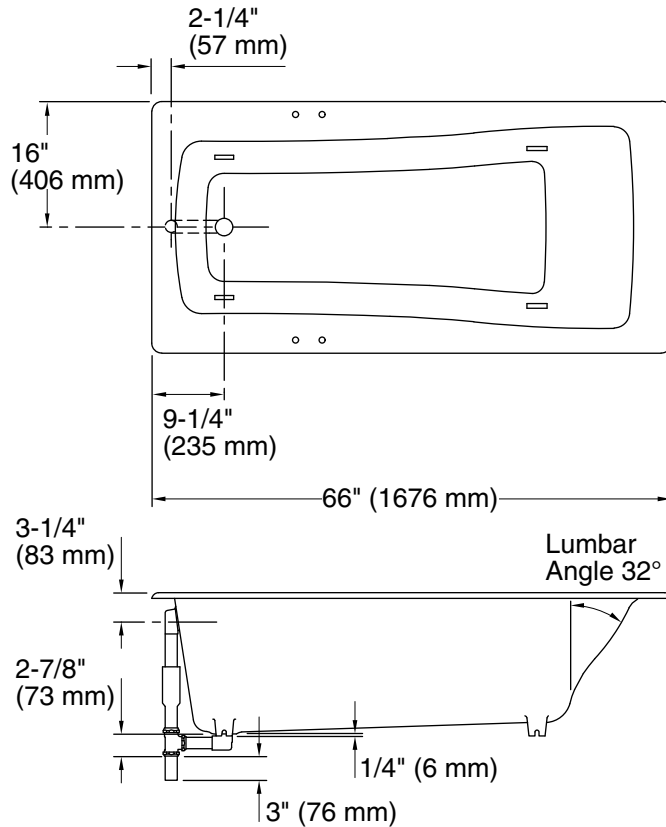
See website for detailed warranty information.

### Available Colors/Finishes

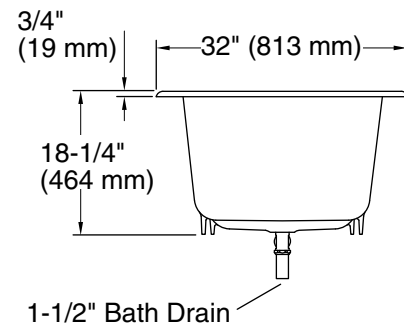
*Color tiles intended for reference only.*

| Color | Code | Description |
|-------|------|-------------|
|-------|------|-------------|

|  |    |         |
|--|----|---------|
|  | 0  | White   |
|  | 96 | Biscuit |



No change in measurements if connected with drain illustrated. (K-7213)



### Technical Information

All product dimensions are nominal.

|                        |   |
|------------------------|---|
| Installation:          | Drop-in   |
| Drain location:        | End   |
| Basin area, bottom:    | 47" x 21" (1194 mm x 533 mm)                      |
| Basin area, top:       | 57" x 25" (1448 mm x 635 mm)                      |
| Weight:                | 350 lbs (158.8 kg)                                |
| Minimum floor load:    | 57 lbs/ft <sup>2</sup> (278.3 kg/m <sup>2</sup> ) |
| Water depth:           | 13" (330 mm)                                      |
| Water capacity:        | 55 gal (208.2 L)                                  |
| Cutout:                | Drop-in, 64-1/2" x 30-1/2" (1638 mm x 775 mm)     |
| Minimum flat for door: | 2-1/8" (54 mm)                                    |

### Notes

Measure your actual product for rough-in details. Install this product according to the installation instructions.

The hot water supply should be 70% of the capacity of the bath or greater. Installations will vary.

Kit is required for under-mount installations (sold separately).

ADA compliant when installed to the specific requirements of these regulations.