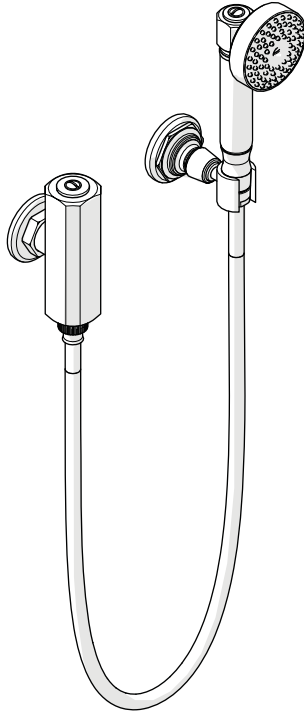


STYLE No. RWHS01†



SPECIFICATIONS:

Adjustable versus Fixed Spray: Fixed Spray
Diameter of Head: Ø2 11/16" [68mm]
Fittings Hole Diameter: 1" [25mm]
Handshower Hose Length: 59" [1.5m]
Inlet Connection: 3/4" Copper Compression†
Integrated Diverter: No
Pivot: No
Restricted Maximum Flow Rate: 2.5gpm [3.8 L/min]
Water Pressure: 20psi [1.5 bar] - 85psi [6.0 bar]
Water Pressure Recommended: 45psi [3.0 bar]

† UK Style No. **RW01HS** are supplied with 1 **BSP** adapter, assembly required.

IMPORTANT:

- **A diverter or wall valve (sold separately) control on/off/volume and must be installed for each fitting that will have water flowing to it.**
- **This product is intended for use with automatic compensating valves rated at 2.5gpm.**
- To ensure this product is installed properly, you must read and follow these guidelines.
- The owner/user of this product must keep this information for future reference.
- Be sure your installation conforms to federal state, and local codes. In the State of Massachusetts, all installations must comply with the rules and regulations set forth within 248 CMR.

- This product must be installed by a professional licensed contractor and must be onsite prior to rough-in, this allows the installer to visualize the installation.
- Proper blocking in the wall is required.
- Inspect this product to ensure you have all the parts required for proper installation.
- Use only a strap wrench or protected/smooth-jaw wrench on any finished surface.
- The use of certain plumber's putty can stain stone or tile surfaces.

ROUGH IN:

1. Determine the ideal location for the HANDSHOWER and HOOK on the wall based on user preference and install blocking to properly secure the supply line and MOUNTING HARDWARE.
2. Run a well supported 3/4" copper supply line from the diverter or wall valve (sold separately) for maximum flow and cut the supply line so it extends 15/16" [24mm] from the finished wall. See Figure - 01.
3. Verify the supply line is secure and level then cap off the supply and check it for leaks.

INSTALLATION:

- See Figure - 01 for Steps 4 - 6.

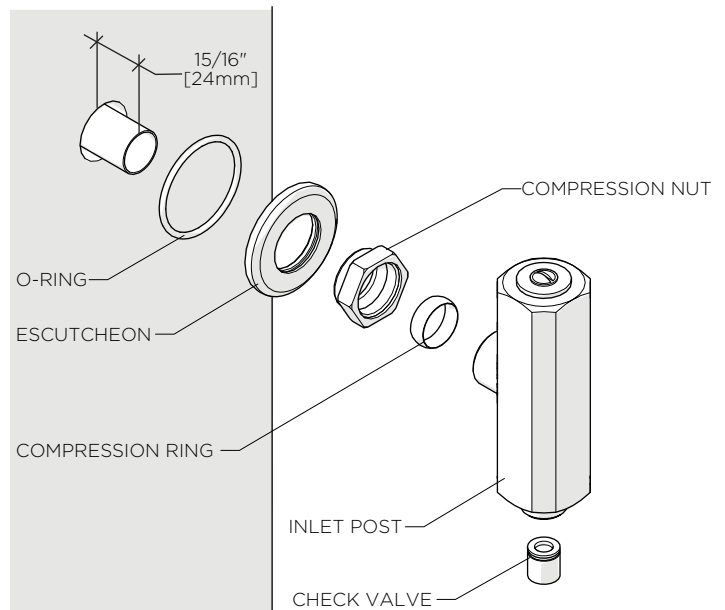


FIGURE - 01

4. Unthread and remove the COMPRESSION NUT, COMPRESSION RING, ESCUTCHEON and O-RING from the INLET POST.
5. Slide the O-RING, ESCUTCHEON, COMPRESSION NUT and COMPRESSION RING over supply line, making sure the threading on the NUT is facing outwards.

These guidelines have been prepared for the professional contractor to aid in the installation of: R.W. ATLAS HANDSHOWER ON HOOK WITH METAL HANDLE (STYLE No. RWHS01, RW01HS). All dimensions are based on original specification and are subject to change and variation. Please consult your Design Associate for current specifications.

W A T E R W O R K S

6. Place the INLET POST over the supply line until it is fully seated then securely tighten the COMPRESSION NUT and slide the ESCUTCHEON against the finished wall.

NOTE: If the ESCUTCHEON slides off of the COMPRESSION NUT when pushed against the finished wall, measure the gap and cut the supply line accordingly.

- See Figure - 02 for Steps 7 - 8.

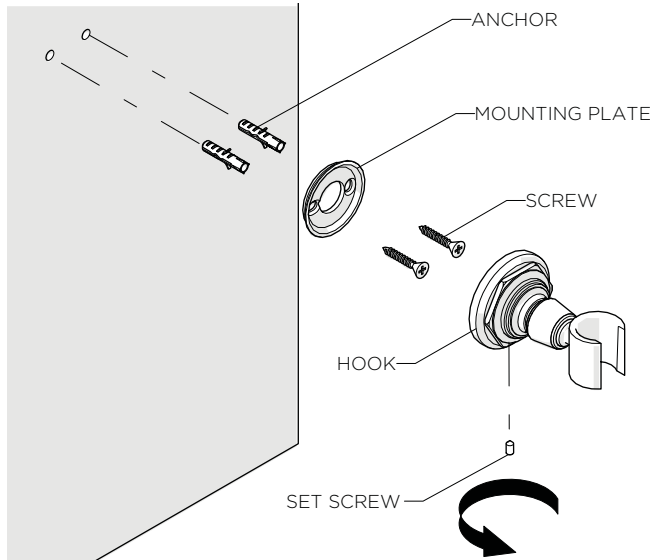


FIGURE - 02

7. Install the MOUNTING PLATE onto the finished wall using the ANCHORS and SCREWS provided.
8. Place the HOOK over the MOUNTING PLATE then securely tighten the SET SCREW using a 2mm HEX KEY, making sure the SET SCREW is located at 6 o' clock.
9. Connect the knurled end of the HOSE to the outlet on the INLET POST then connect the conical end of the HOSE to the inlet of the HANDSHOWER. See Figure - 03

NOTE: There is a 2.5gpm FLOW REGULATING CHECK valve located in the inlet of the HANDSHOWER.

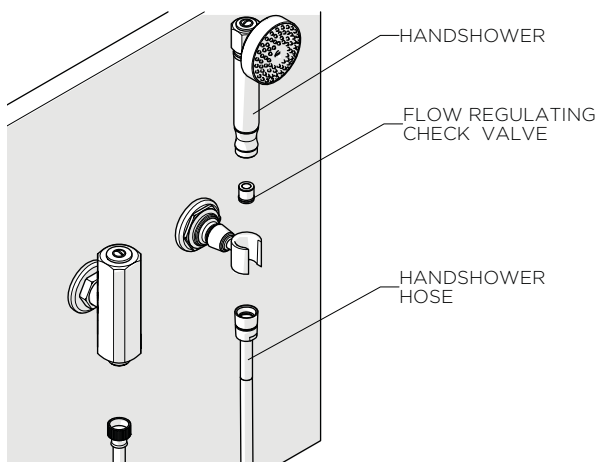


FIGURE - 03

INSPECT THE INSTALLATION:

10. Unthread the HANDSHOWER from the HOSE then turn on the diverter or wall valve (sold separately) to flush out any debris in the supply line.
11. Inspect all connections for leaks.
12. Turn off the supply and re-attach the HANDSHOWER to the HOSE.
- If further assistance is required, please contact Product Support at 1-800-927-2120 Monday through Friday, 8am - 6pm EST.
- Refer to the separate Service Parts Document for available replacement parts.
- The BSP adapter can be ordered separately:
- Universal 3/4" Pipe x 3/4" Male BSP Adapter
STYLE No. UNUK10