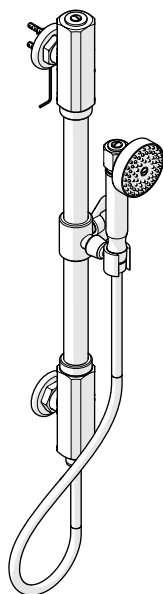


**Style No. RWHS10**



**SPECIFICATIONS:**

Connection Type:  $\frac{3}{4}$ " Copper Compression  
 Recommended Pressure: 45 psi  
 Restricted Maximum Flow Rate: 2.5 gpm. For use with automatic compensating valves rated at 2.5gpm.

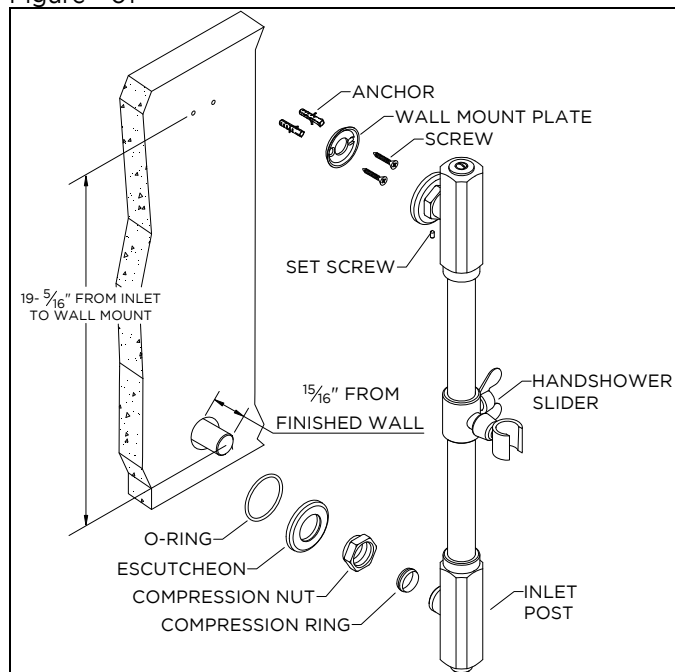
**IMPORTANT:**

- To ensure this product is installed properly, you must read and follow these guidelines.
- The owner/user of this product must keep this information for future reference.
- Be sure your installation conforms to federal state, and local codes. In the State of Massachusetts, all installations must comply with the rules and regulations set forth within 248 CMR.
- **A diverter or wall valve (sold separately) control on/off/volume and must be installed for each fitting that will have water flowing to it.**
- This product must be installed by a professional licensed contractor and must be onsite prior to rough-in, this allows the installer to visualize the installation.
- Proper blocking in the wall is required.
- Inspect this product to ensure you have all the parts required for proper installation.
- Use only a strap wrench or protected/smooth-jaw wrench on any finished surface.
- **DO NOT** use putty on fittings.

**ROUGH IN:**

- See Figure - 01 for Steps 1-4.
1. Run a well supported  $\frac{3}{4}$ " copper supply line from the wall valve/diverter (sold separately) for maximum flow.
  2. Determine the ideal location of the handshower on bar, based on user preferences. Install blocking to properly secure unit. The distance from inlet to wall support is 19-5/16".
  3. Verify the supply is secure and level. Cap off the supply and check for leaks.
  4. Cut the copper line so it extend 15/16" from the finished wall.

Figure - 01



**HANDSHOWER ON BAR INSTALLATION:**

- See Figure - 01 for Steps 5-13.
5. Unthread and remove the compression nut and compression ring, along with escutcheon and o-ring from the inlet post.
  6. Slide the o-ring, escutcheon, compression nut and compression ring over the inlet pipe, making sure the threading on the compression nut is facing outwards.
  7. Position the handshower on bar assembly onto the supply pipe until it is fully seated into the inlet post and then **hand tighten** the compression nut. Slide the escutcheon back towards the wall; and if the gap

These guidelines have been prepared for the professional contractor to aid in the installation of: **RW ATLAS HANDSHOWER ON BAR (STYLE# RWHS10)**. All dimensions are based on original specification and are subject to change and variation. Please consult your Design Associate for current specifications. **SEE SERVICE PART DOCUMENT FOR PART ORDERING, AVAILABLE ON WATERWORKS.COM**

WATERWORKS

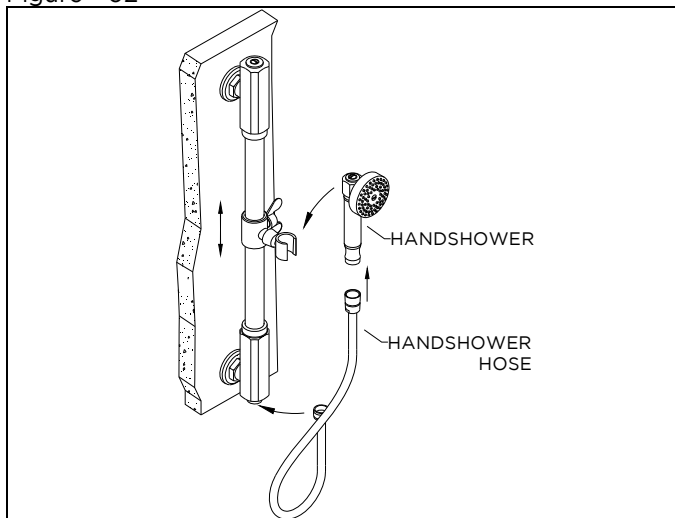
is too large, as to where the escutcheon slides off the compression nut, cut the supply pipe accordingly.

8. With the handshower on bar level and up against the wall, mark the upper wall mounting location.
9. Loosen the compression nut and remove the handshower on bar assembly.
10. Drill the wall for the 2 wall anchors provided and install them (if necessary). Install the wall mount plate.
11. Position the handshower on bar assembly back onto inlet pipe and over the wall mount plate. Using a wrench, tighten the compression nut fully. Use the set screw to tighten the upper escutcheon to the wall mount plate.
12. Unthread the handle assembly from the limit stop assembly and loosen the 4 set screws on the limit stop.
13. Insert the limit stop assembly onto the trim nut making sure the limit stop pin (shown removed) makes contact with the limit stop on the trim plate, then tighten the 4 set screws.

#### HANDSHOWER INSTALLATION:

- See Figure - 02 for Steps 14 & 15.
14. Connect the knurled end of the handshower hose to the bottom of the inlet post. Connect the conical end of the handshower hose to the bottom of the handshower.
  15. Place handshower into the clip on the slider. Note: The handshower slider is adjusted by loosening the wing-nut on the slider and then retightening at the desired height.

Figure - 02



#### INSPECT THE INSTALLATION:

16. Remove the handshower from the hose. Turn on the wall valve/diverter (sold separately) to flush out any debris in the supply line.
  17. Inspect all connections for leaks.
  18. Turn off supply and re-attach the handshower to the hose.
- If further assistance is required, please contact Product Support at 1-800-927-2120 (8am-6pm EST).
  - See service part document for parts ordering, available on [WATERWORKS.COM](http://WATERWORKS.COM).

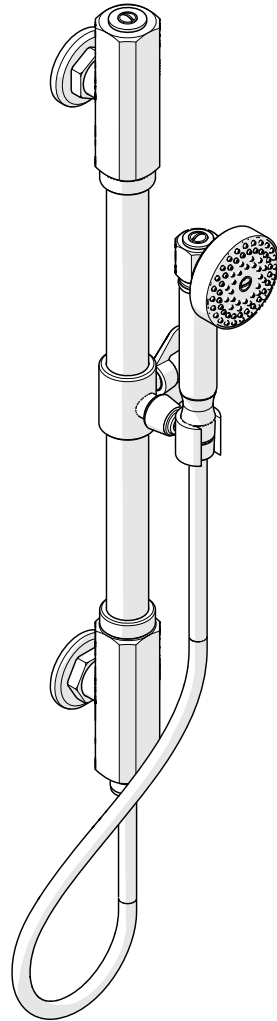
These guidelines have been prepared for the professional contractor to aid in the installation of: **RW ATLAS HANDSHOWER ON BAR (STYLE# RWH510)**. All dimensions are based on original specification and are subject to change and variation. Please consult your Design Associate for current specifications. **SEE SERVICE PART DOCUMENT FOR PART ORDERING, AVAILABLE ON WATERWORKS.COM**

WATERWORKS



ESTB. 1978

# WATERWORKS SERVICE PARTS



**STYLE RWHS10**

R.W. Atlas Handshower On Bar with Metal Handle

---

WELCOME TO

# WATERWORKS

For over three decades, Waterworks has transformed the bath through an absolute commitment to design authenticity, innovation and quality. A blend of scholarly appreciation and applied experience guarantees mechanical integrity, meticulous craftsmanship, and timeless designs.

---

**TO ORDER PARTS CALL  
1 (800) 927-2120 (EXT 2)**

Order by part number and specify color, finish, or other options if required.

**PRODUCT SUPPORT**

Our Product Support team provides troubleshooting and technical problem resolution, including replacement parts and installation recommendations throughout the life of your product.

Product Support is available Monday through Friday, 8AM-6PM EST.

**LIMITED LIFETIME  
WARRANTY**

Our warranty covers repair and replacement of Waterworks products if within the applicable coverage period and deemed defective by Waterworks. Waterworks will, at its option, repair or replace such products; this does not include installation costs, labor charges, or other incidental or consequential costs.

To obtain your complete warranty or inquire about warranty service, please visit us at [www.waterworks.com](http://www.waterworks.com) or contact our Product Support Team.



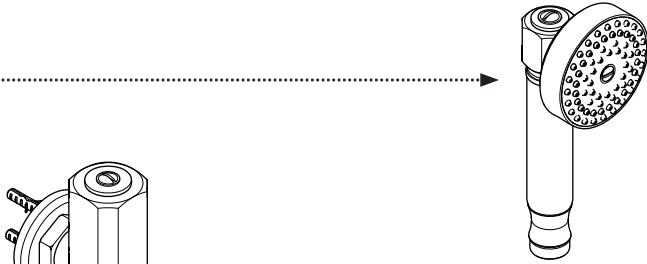
ESTB. 1978

WATERWORKS

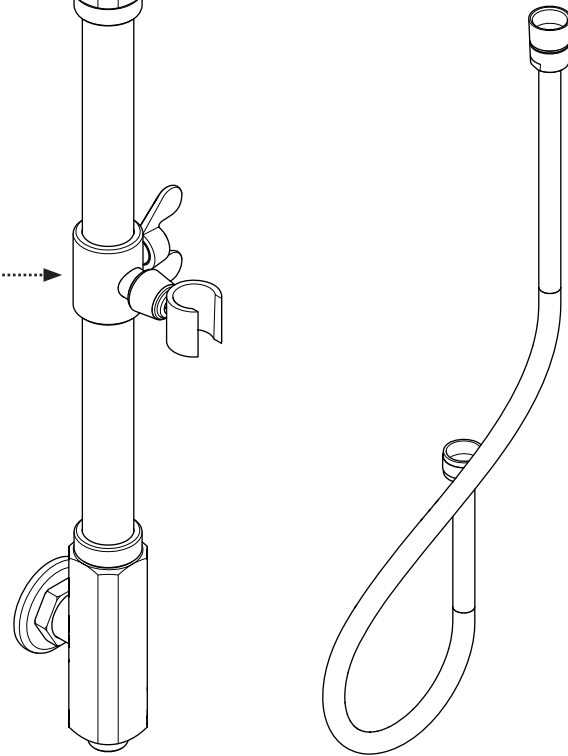
### MAIN KITS

STYLES: RWHS10

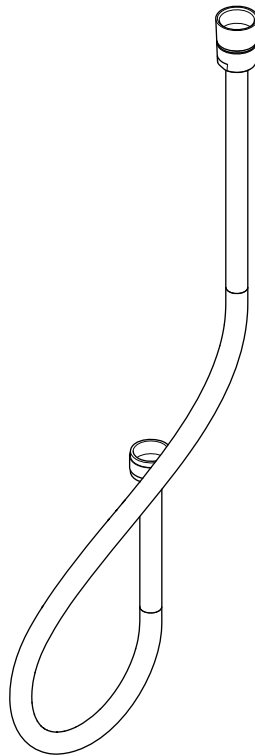
103682\*  
SPRAY



103683\*  
SPRAY RETURN



103548\*  
HANDSHOWER HOSE



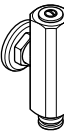
\*FINISH/COLOR MUST BE SPECIFIED WHEN ORDERING  
++SUPPLIED AS A PAIR

### KIT COMPONENTS

103686  
MOUNTING  
HARDWARE



103513  
FASTENING SET SCREW



POST



O-RING



O-RING



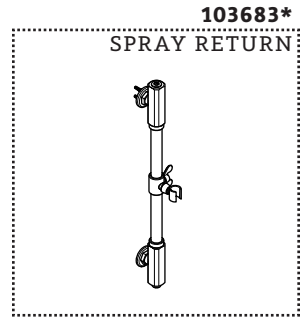
KNURLED COLLAR



O-RING



BAR



103683\*  
SPRAY RETURN

103807\*  
ESCUTCHEON



O-RING



KNURLED COLLAR



O-RING



O-RING



POST

103685\*  
UNION SEAL



103684\*  
HANDSHOWER CRADLE

103678  
CHECK VALVE

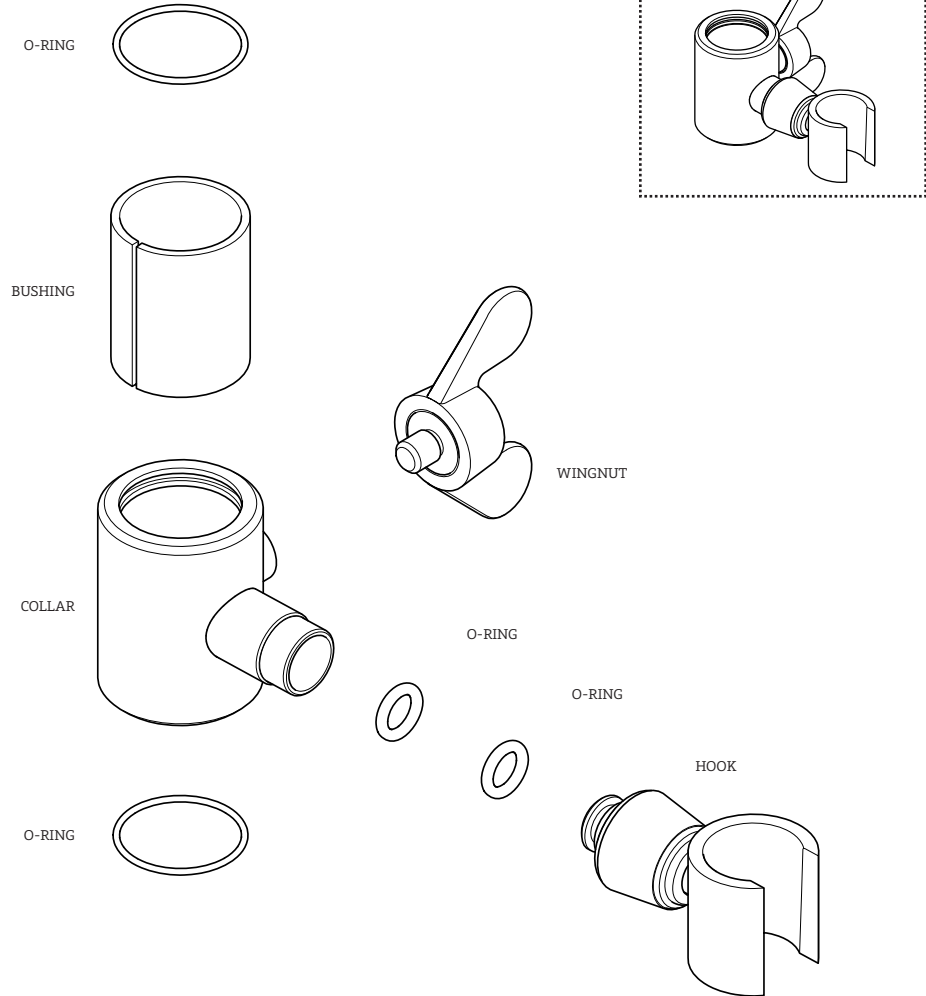


ESTB. 1978

WATERWORKS

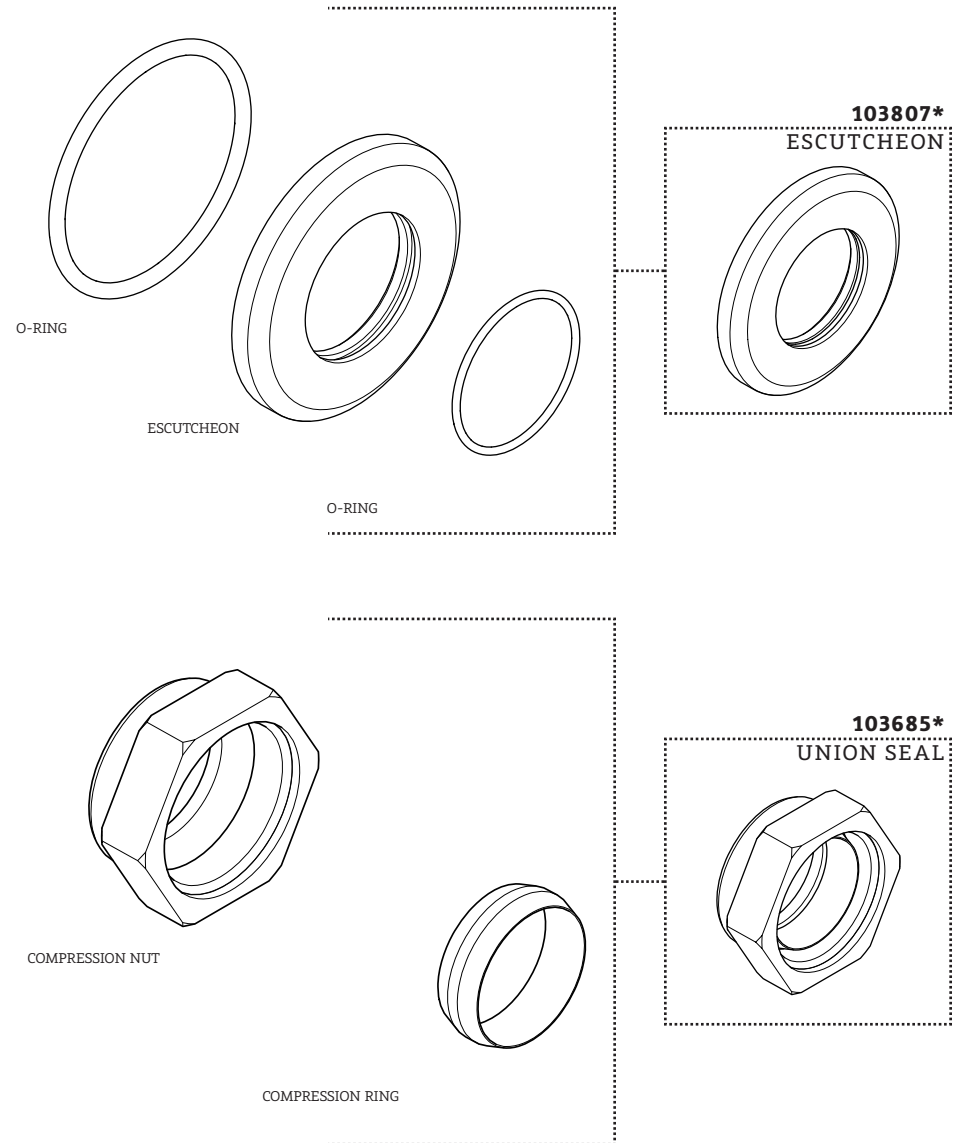
### KIT COMPONENTS

STYLES: RWHS10



\*FINISH/COLOR MUST BE SPECIFIED WHEN ORDERING  
++SUPPLIED AS A PAIR

### KIT COMPONENTS



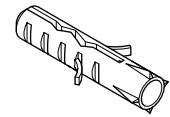


ESTB. 1978

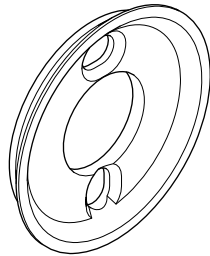
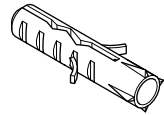
WATERWORKS

### KIT COMPONENTS

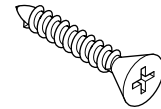
STYLES: RWHS10



ANCHOR



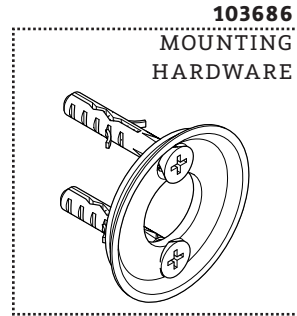
MOUNTING PLATE



SCREW



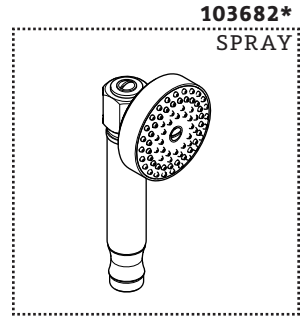
HEX KEY



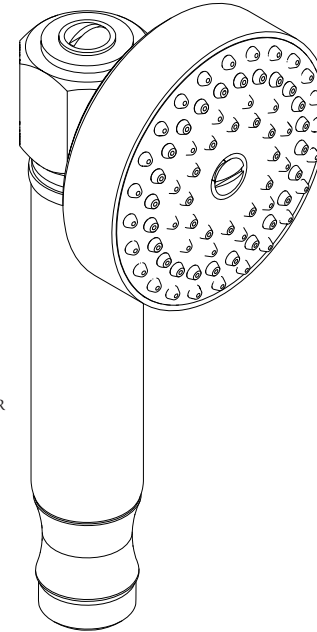
103686  
MOUNTING  
HARDWARE

\*FINISH/COLOR MUST BE SPECIFIED WHEN ORDERING  
++SUPPLIED AS A PAIR

### KIT COMPONENTS



103682\*  
SPRAY



HANDSHOWER



FLOW REGULATING  
CHECK VALVE



CLIP



ESTB. 1978

WATERWORKS

## SERVICE PARTS INDEX

<u>STYLE</u>	<u>DESCRIPTION</u>	<u>PG</u>
103678	CHECK VALVE	3
103807*	ESCUTCHEON	5
103513	FASTENING SET SCREW	3
103684*	HANDSHOWER CRADLE	4
103548*	HANDSHOWER HOSE	2
103686	MOUNTING HARDWARE	6
103682*	SPRAY	7
103683*	SPRAY RETURN	3
103685*	UNION SEAL	5

**STYLES: RWHS10**

\*FINISH/COLOR MUST BE SPECIFIED WHEN ORDERING  
++SUPPLIED AS A PAIR

## NOTES

DOCUMENT: SPRW08\_REV01





ESTB. 1978

WATERWORKS

**PRODUCT SUPPORT**

60 BACKUS AVENUE

DANBURY, CT 06810

1 (800) 927-2120 (EXT 2)

[WWW.WATERWORKS.COM](http://WWW.WATERWORKS.COM)