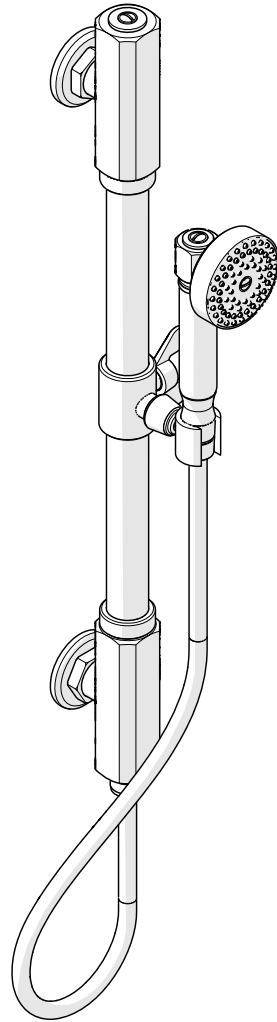




ESTB. 1978

WATERWORKS SERVICE PARTS



STYLE RWHS10

R.W. Atlas Handshower On Bar with Metal Handle

WELCOME TO

WATERWORKS

For over three decades, Waterworks has transformed the bath through an absolute commitment to design authenticity, innovation and quality. A blend of scholarly appreciation and applied experience guarantees mechanical integrity, meticulous craftsmanship, and timeless designs.

**TO ORDER PARTS CALL
1 (800) 927-2120 (EXT 2)**

Order by part number and specify color, finish, or other options if required.

PRODUCT SUPPORT

Our Product Support team provides troubleshooting and technical problem resolution, including replacement parts and installation recommendations throughout the life of your product.

Product Support is available Monday through Friday, 8AM-6PM EST.

**LIMITED LIFETIME
WARRANTY**

Our warranty covers repair and replacement of Waterworks products if within the applicable coverage period and deemed defective by Waterworks. Waterworks will, at its option, repair or replace such products; this does not include installation costs, labor charges, or other incidental or consequential costs.

To obtain your complete warranty or inquire about warranty service, please visit us at www.waterworks.com or contact our Product Support Team.



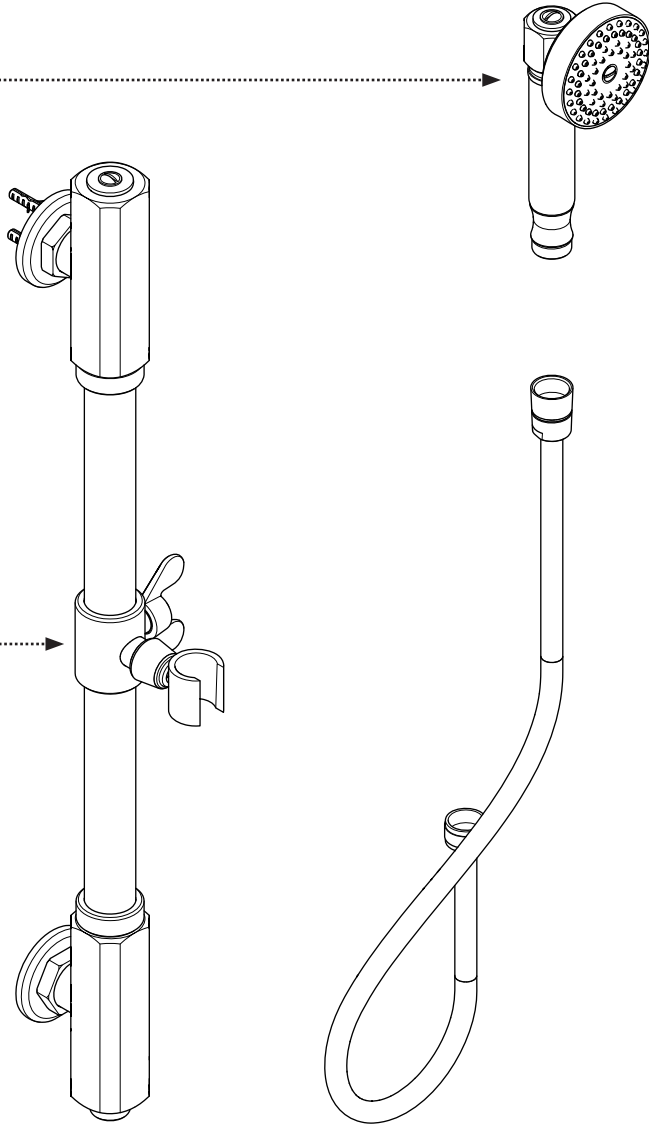
ESTB. 1978

WATERWORKS

MAIN KITS

STYLES: RWHS10

103682*
SPRAY



103683*
SPRAY RETURN

103548*
HANDSHOWER HOSE

*FINISH/COLOR MUST BE SPECIFIED WHEN ORDERING
++SUPPLIED AS A PAIR

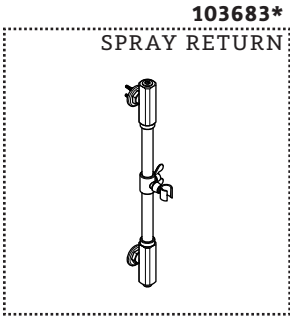
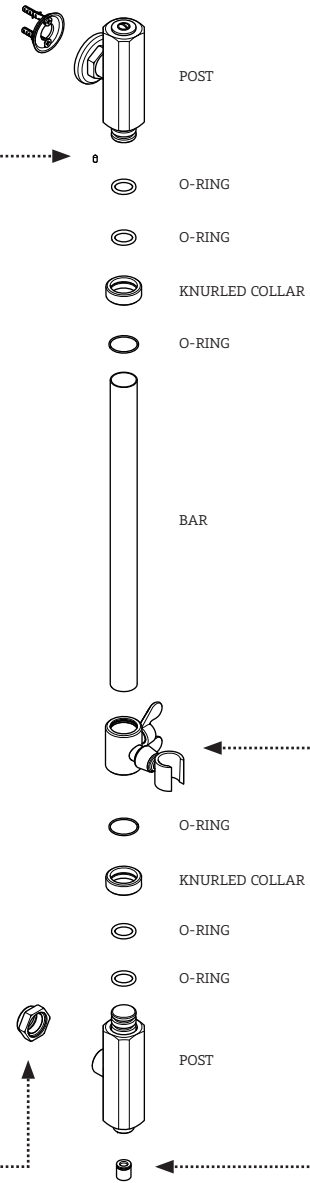
KIT COMPONENTS

103686
MOUNTING
HARDWARE

103513
FASTENING SET SCREW

103807*
ESCUTCHEON

103685*
UNION SEAL



103684*
HANDSHOWER CRADLE

103678
CHECK VALVE

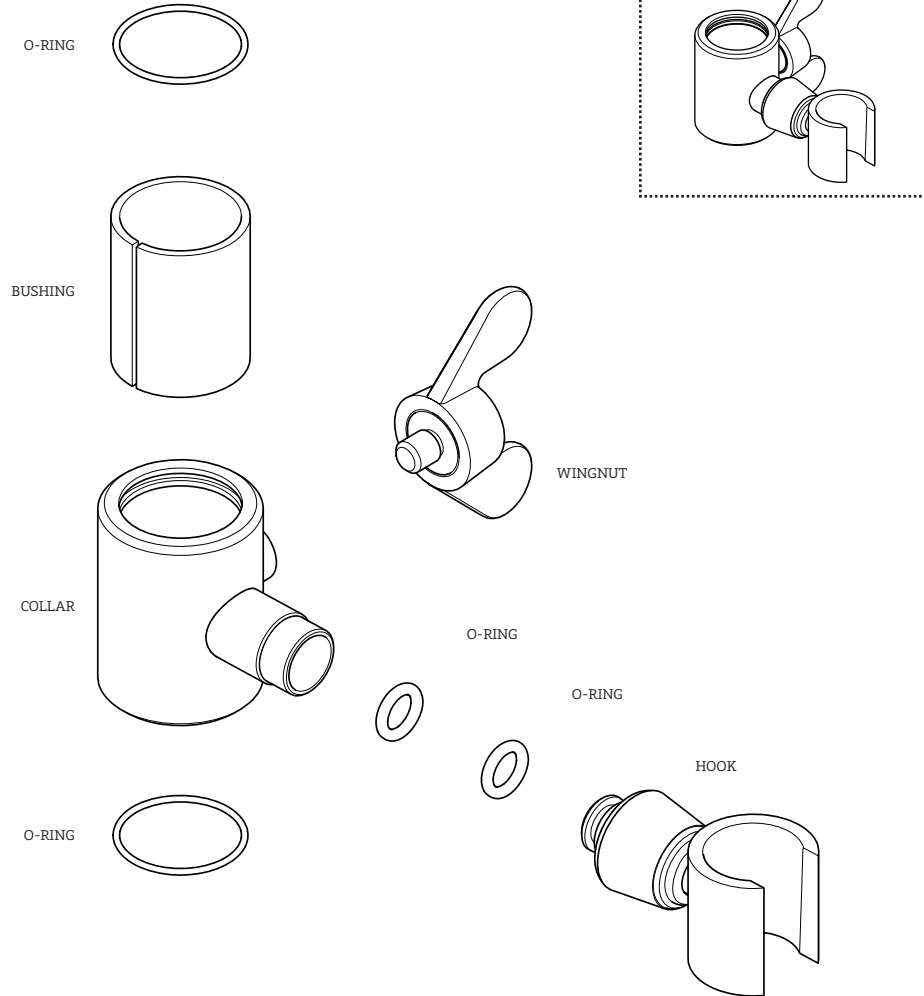


ESTB. 1978

WATERWORKS

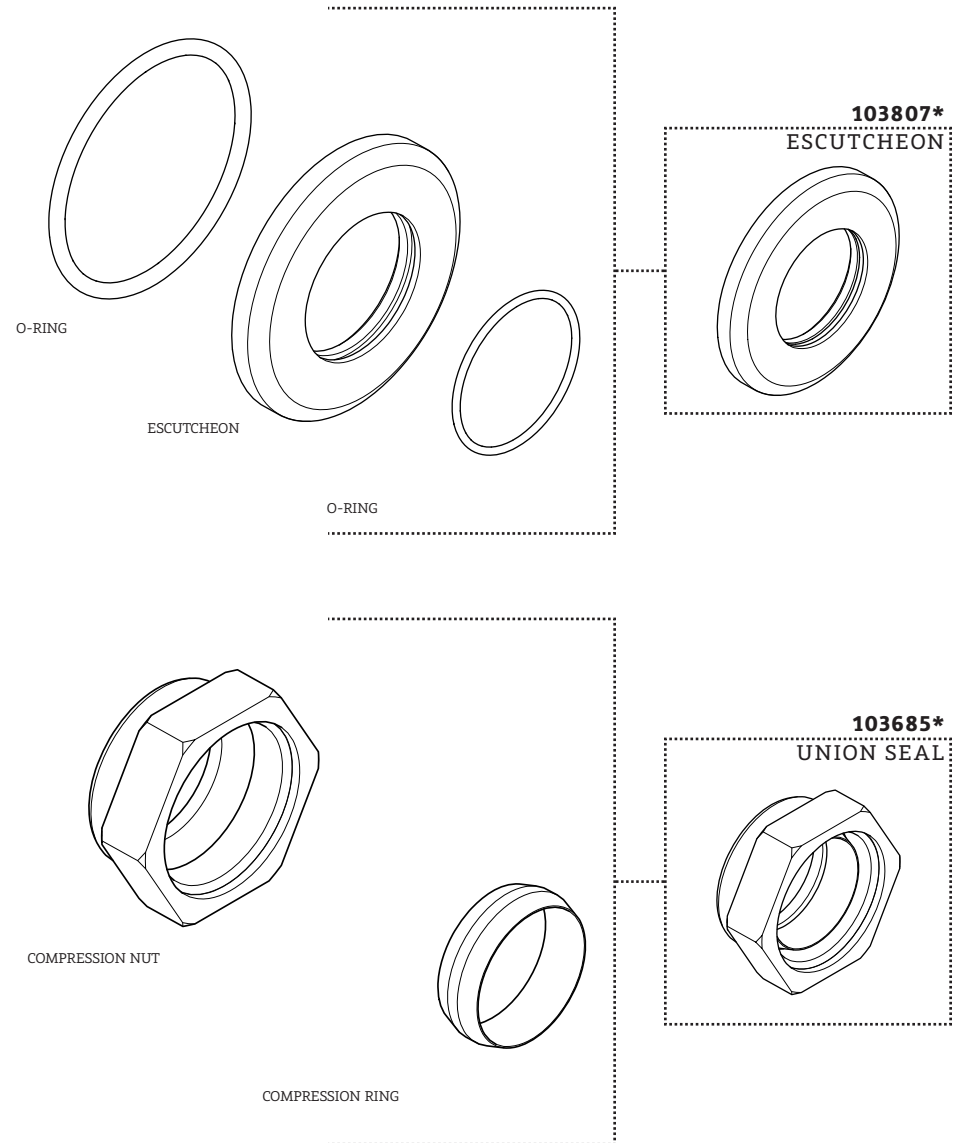
KIT COMPONENTS

STYLES: RWHS10



*FINISH/COLOR MUST BE SPECIFIED WHEN ORDERING
++SUPPLIED AS A PAIR

KIT COMPONENTS



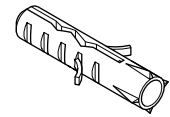


ESTB. 1978

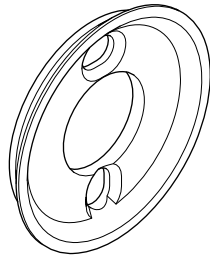
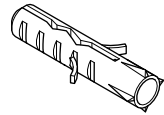
WATERWORKS

KIT COMPONENTS

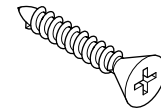
STYLES: RWHS10



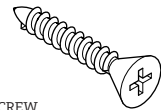
ANCHOR



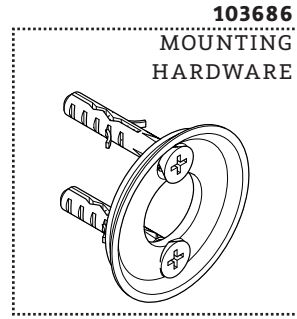
MOUNTING PLATE



SCREW



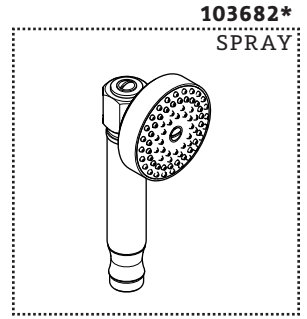
HEX KEY



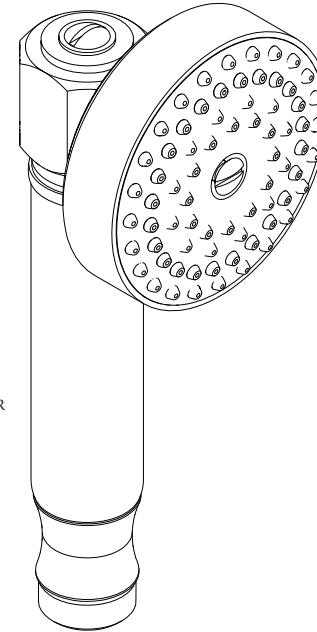
103686
MOUNTING
HARDWARE

*FINISH/COLOR MUST BE SPECIFIED WHEN ORDERING
++SUPPLIED AS A PAIR

KIT COMPONENTS



103682*
SPRAY



HANDSHOWER



FLOW REGULATING
CHECK VALVE



CLIP



ESTB. 1978

W A T E R W O R K S

SERVICE PARTS INDEX

<u>STYLE</u>	<u>DESCRIPTION</u>	<u>PG</u>
103678	CHECK VALVE	3
103807*	ESCUTCHEON	5
103513	FASTENING SET SCREW	3
103684*	HANDSHOWER CRADLE	4
103548*	HANDSHOWER HOSE	2
103686	MOUNTING HARDWARE	6
103682*	SPRAY	7
103683*	SPRAY RETURN	3
103685*	UNION SEAL	5

STYLES: RWHS10

*FINISH/COLOR MUST BE SPECIFIED WHEN ORDERING
++SUPPLIED AS A PAIR

NOTES

DOCUMENT: SPRW08_REV01



ESTB. 1978

WATERWORKS

PRODUCT SUPPORT

60 BACKUS AVENUE
DANBURY, CT 06810

1 (800) 927-2120 (EXT 2)

WWW.WATERWORKS.COM