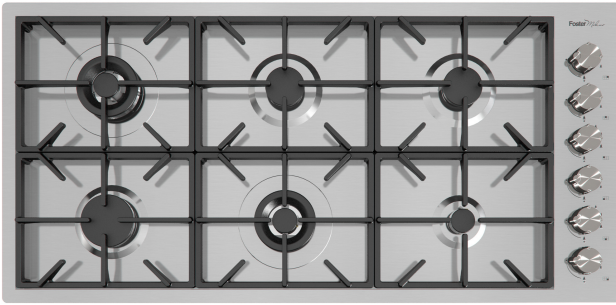


Cooker hob Foster Milano 7639 000

Cooker hobs

Code: 7639 000



DETAILS

Finish Foster brushed

Material AISI 304 stainless steel

Satin Finish

Texture Satin

Supply 220-240 V; 50.60 Hz

Edge/Installation Type Flush-mount | Top-mount

Dimensions 1154x560 mm

Base size 120cm

Heating element six burners

| | |
|----------------|--|
| Cut out | Check technical data sheet |
| Grids | Cast iron grids and enamelled burner covers |
| Total power | 15.900 W |
| Auxiliary | 1.000 W |
| Semirapid | 2x1.750 W |
| Rapid | 3.000 W |
| Dual | 2x4.200 W |
| Power settings | 9 power settings per zone |
| Safety | Safety valve with quick-acting thermocouple |
| Ignition | Electric ignition under knob |
| Gas type | Tested for installation with natural gas, LPG nozzle set included. |
| Type | Gas Hob |

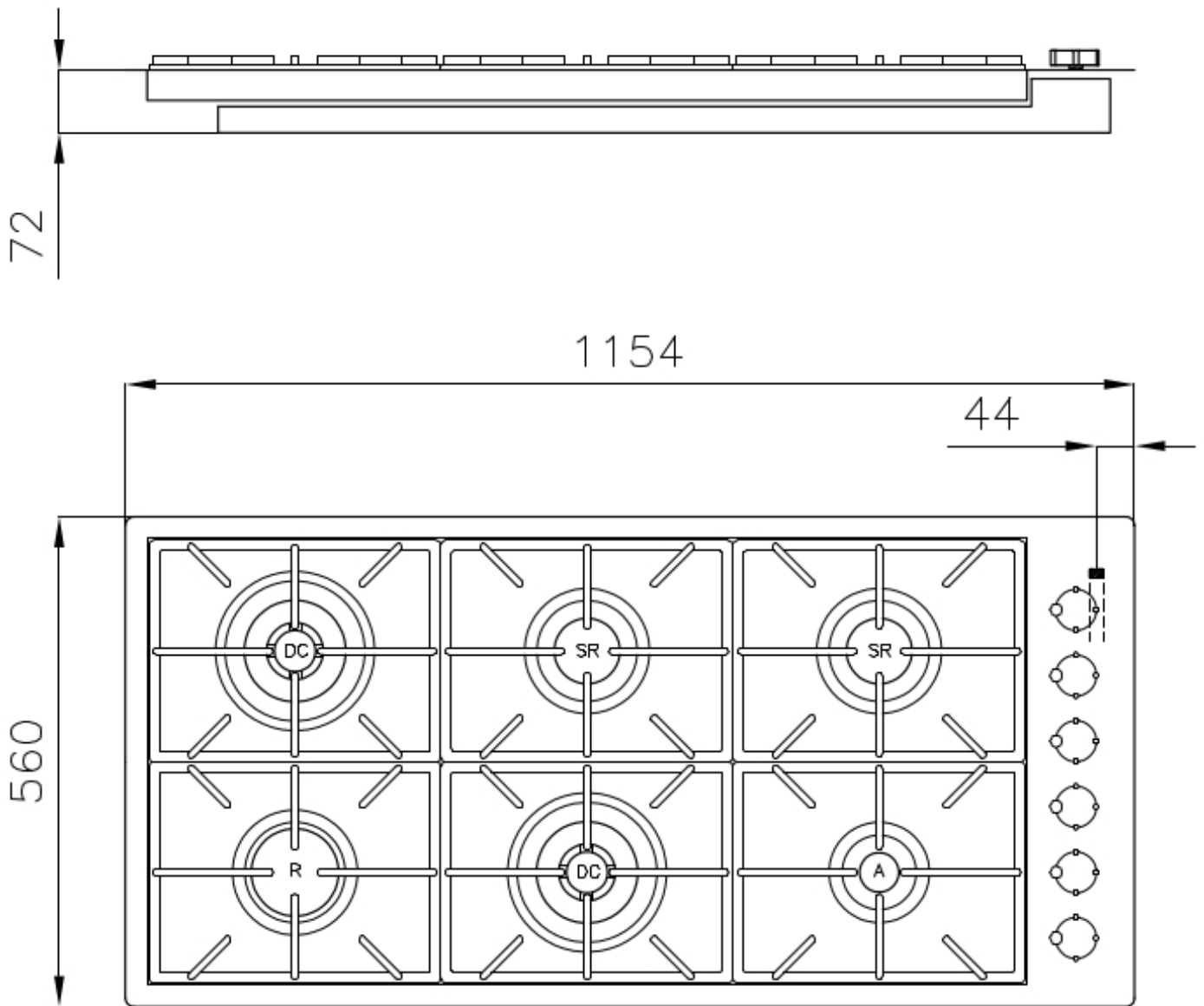
EQUIPMENT

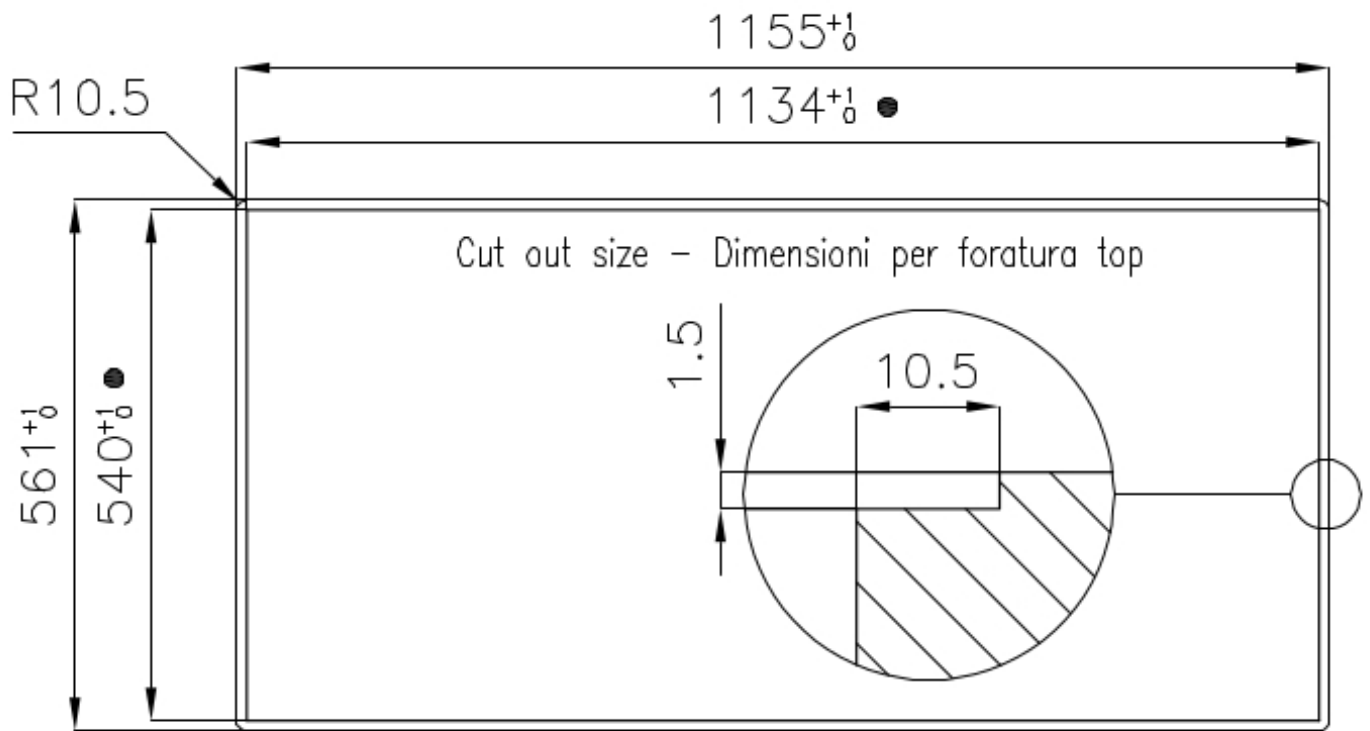
2 x Cast iron Wok support 9601
727

FEATURES

| | |
|---------------------|--|
| 56 cm deep | 56 cm deep. An increased dimension synonymous with great functionality, which distinguishes the Foster Milano series. |
| Aeo burners | The AEO burners guarantee up to 25% energy saving compared to standard burners. All models are designed with The Dual burner with 2 independent crowns, controlled by a single knob, delivers from 1 to 5KW, a power that can only be found in professional models. |
| Safe cooking | All Foster cooker hobs are equipped with safety valves. They shut off the gas supply very quickly if the flame accidentally goes out. |
| Special burners | Many Foster hobs are equipped with special burners, with two or three rings of fire that greatly increase the power delivered and the heated surface. In the DUAL models the two fire crowns also have independent ignition, making these burners perfect for both intensive and delicate cooking. |
| Ultra-flat hob | Design meets functionality in the the ultra-flat models. Elegant grids that form a generously sized overall surface. |
| Under-knob ignition | The utmost freedom of movement with electronic under-knob ignition, a common feature of all models that allows a one-hand ignition of the burner. |
| XXL grids | The weighty enamelled cast iron grid has extraordinary dimensions, 33x25 cm, with a working surface up to 50% bigger compared to a standard cooker hob. Now you can use all the burners at the same time even with large cookware. |

TECHNICAL DATA





- Built-in cut out for FTS – Foratura per installazione FTS

GALLERY



EQUIPMENT



Cast iron wok support 9601 727

RECOMMENDED PAIRINGS



Hood S4001 island 2442 _1



Sink Foster Milano 1017 055