

SENSOR COMBINATION SOAP/LOTION WP585E



218 x 298 x 121 mm

Sensor 950 ml soap, 950 ml lotion

- Sensor hand care combination consisting of a sensor liquid soap- and lotion dispenser in robust, germ-reducing and easy-care stainless steel (AISI 316L).
- All-stainless steel housing; all corners fully welded, visible surfaces satin finished and brushed. Further available surfaces: see below.
- Sensor soap and lotion dispenser with EWAR® eModule touch-free operated and non-drip soap and lotion pump. Designed for standard 950 ml disposable bottles of liquid soap or lotion. Also refillable with large container using the plug-in tank as an option.
- Inspection slots to indicate fill level.
- Accessible for refilling through lockable, hinged housing.
- Keyed alike cylinder lock in corrosion-resistant zinc die-casting.
- eModule battery-powered with two 1.5 V Baby/LR14 batteries. Power supply available as an option.
- Wear parts can be replaced as modules.
- Mounting: With four screws through key holes and one optional anti-theft hole in the back wall.
- Delivery includes fixing material, batteries and first fill with soap and lotion.
- Weight, including single package: 5.1 kg

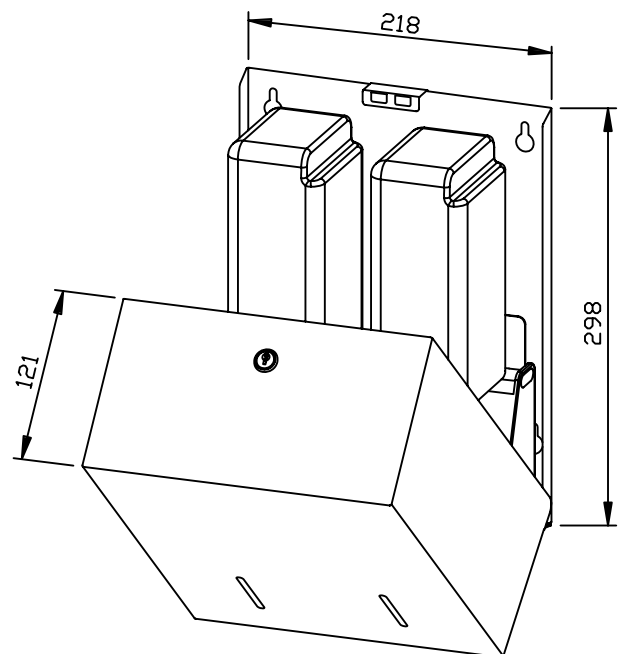


Suggested text for specifications:

Sensor combination consisting of a sensor liquid soap and lotion dispenser in stainless steel (AISI 316L) for surface mounting. All-stainless steel housing; all corners fully welded, visible surfaces satin finished and brushed. Sensor soap and lotion dispenser with touch-free operated and non-drip soap or lotion pump. Designed for standard 950 ml disposable bottles of liquid soap or lotion. Inspection slots to indicate fill level. Accessible for refilling through lockable, hinged housing. Keyed alike cylinder lock in corrosion-resistant zinc die-casting. Delivery includes fixing material, batteries and first fill with soap and lotion.

Dimensions: 218 x 298 x 121 mm

Article No. WP585e



Options	ID No.
Plug-in tank	937 201
Power supply for eModule	923 060
Available surfaces	ID No.
satin finished (standard)	727 725
highly polished	731 725
(coloured) plastic powder-coating	728 725

Ernst Wagner GmbH & Co. KG

Ernst-Abbe-Straße 21 · D-72770 Reutlingen · Tel.: +49712151539-0 · Fax: -20
info@wagner-ewar.de · www.wagner-ewar.de

WAGNER
EWAR