

E72288



Collection: ALEO

Finish*:



CP - Chrome

Main features:



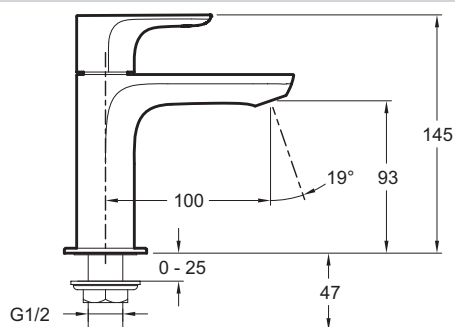
Features

- WEIGHT: 0.8 kg
- INSTALLATION TYPE: 1 hole
- FLOW RATE: 5 l/mn
- SPOUT PROJECTION: 100
- WASTE : Without waste
- Passageway for single water stream
- MATERIAL: 54
- TYPE: Robinet indépendant
- HEIGHT UNDER SPOUT: 145
- MECHANISM: 1/4 turn ceramic disc valves
- INSTALLATION TYPE: 1 hole

Consumer benefits

- Height under aerator: 93 mm
- Integral anti-scale aerator

Technical drawing



Product Specification: Pillar tap for handwash basin (cold water). E72288. Collection: ALEO. WEIGHT: 0.8 kg. MATERIAL: 54. INSTALLATION TYPE: 1 hole. TYPE: Robinet indépendant. FLOW RATE: 5 l/mn. HEIGHT UNDER SPOUT: 145. SPOUT PROJECTION: 100. MECHANISM: 1/4 turn ceramic disc valves. WASTE : Without waste. INSTALLATION TYPE: 1 hole. Passageway for single water stream.