

R.W. ATLAS

RWLS70

R.W. Atlas Low Profile Three Hole Wall Mounted Lavatory Faucet with Metal Lever Handles



SHOWN IN R.W. ATLAS LOW PROFILE THREE HOLE WALL MOUNTED LAVATORY FAUCET WITH METAL LEVER HANDLES

TECHNICAL DETAILS

ADA Compliance: Yes
 Adjustable versus Fixed Spray: Fixed Spray
 Control Valve Rough-in Depth Maximum: 5 1/4"
 Control Valve Rough-in Depth Minimum: 3 1/4"
 Drain Depth Maximum: 2 5/8"
 Drain Hole Diameter: 1 3/4"
 Escutcheon Primary Material: Brass
 Fittings Hole Diameter: 1 3/8"
 Handle Spread Maximum: 8"
 Handle Spread Minimum: 8"
 Handle Turn Angle: Quarter Turn
 Depth / Width: 8 1/4"
 Drain Depth Minimum: 3/8"
 Height: 2 11/16"
 Inlet Connection Size: 1/2"
 Inlet Connection Type: Female NPT
 Inlet Supply Spread Maximum: 8"
 Inlet Supply Spread Minimum: 8"
 Installation Type: Wall Mounted
 Integrated Diverter: N
 Integrated Spray: N
 Length: 13 1/4"
 Number of Handles: Two
 Number of Holes: Three Hole
 Primary Material: Brass
 Restricted Maximum Flow Rate: 1.2 gpm
 Spout Swivel: N
 Spray Included in Unit: N
 Suggested Application: Bath
 Valve Material: Ceramic
 Water Pressure Maximum: 85.0 psi
 Water Pressure Minimum: 20.0 psi
 Water Pressure Recommended: 45.0 psi

INSPIRATION

Powerful shapes, genuine materials and unique aesthetic details. The original, impeccable vision of R.W. Atlas pairs American ingenuity with European craftsmanship.

CODES & STANDARDS

Code # RWLS70: Complies with ASME A112.18.1/CSA B125.1, ASME A112.18.2/CSA B125.2, CEC, NSF 61, NSF 372, Watersense, ADA and 0.25% Weighted Average Lead content. Certified with IAPMO, cUPC, CEC, DOE, NSF, State of MA, WRAS and WaterSense.

PRODUCT FEATURES

Features knurled detail on the handles.
 Includes European push touch style drain.
 Meets or exceeds the Weighted Average Lead Requirements of 0.25%.
 Available in 1.2gpm (4.5L/min)

CERTIFICATIONS



PRODUCT (NOTES)

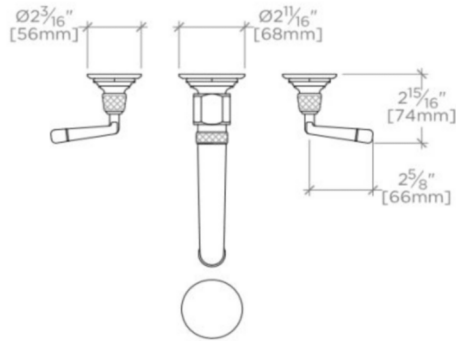
Requires Lavatory Wall Mounted Rough Valve - 26-57750-68803.

WATERWORKS

R.W. ATLAS

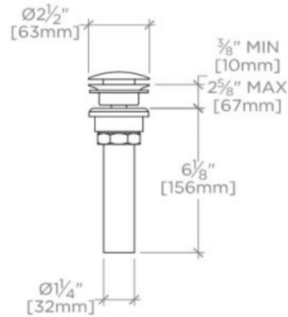
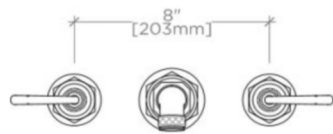
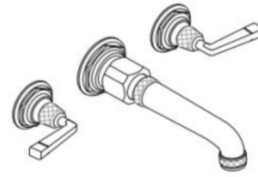
RWLS70

R.W. Atlas Low Profile Three Hole Wall Mounted Lavatory Faucet with Metal Lever Handles



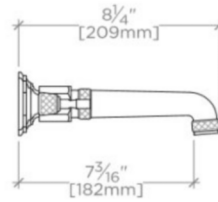
TOP VIEW

SCALE: 1½"=1'-0"



FRONT VIEW

SCALE: 1½"=1'-0"



SIDE VIEW

SCALE: 1½"=1'-0"