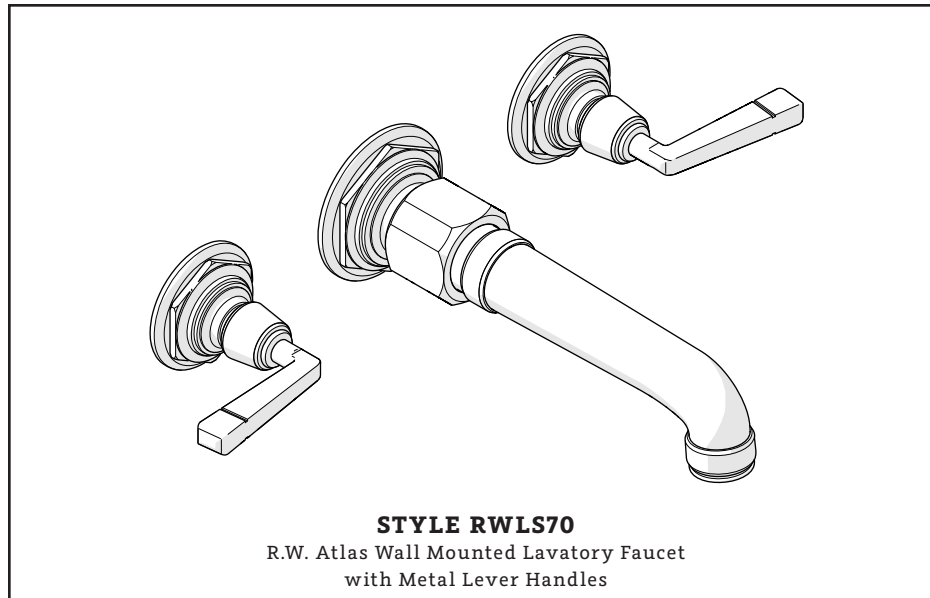
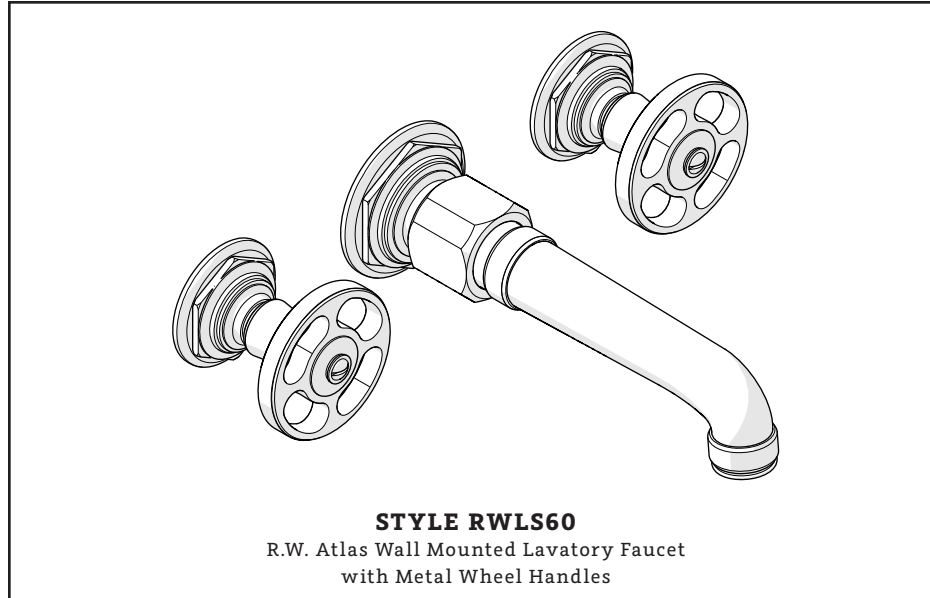




ESTB. 1978

WATERWORKS SERVICE PARTS



WELCOME TO

WATERWORKS

For over three decades, Waterworks has transformed the bath through an absolute commitment to design authenticity, innovation and quality. A blend of scholarly appreciation and applied experience guarantees mechanical integrity, meticulous craftsmanship, and timeless designs.

**TO ORDER PARTS CALL
1 (800) 927-2120 (EXT 2)**

Order by part number and specify color, finish, or other options if required.

PRODUCT SUPPORT

Our Product Support team provides troubleshooting and technical problem resolution, including replacement parts and installation recommendations throughout the life of your product.

Product Support is available Monday through Friday, 8AM-6PM EST.

**LIMITED LIFETIME
WARRANTY**

Our warranty covers repair and replacement of Waterworks products if within the applicable coverage period and deemed defective by Waterworks. Waterworks will, at its option, repair or replace such products; this does not include installation costs, labor charges, or other incidental or consequential costs.

To obtain your complete warranty or inquire about warranty service, please visit us at www.waterworks.com or contact our Product Support Team.

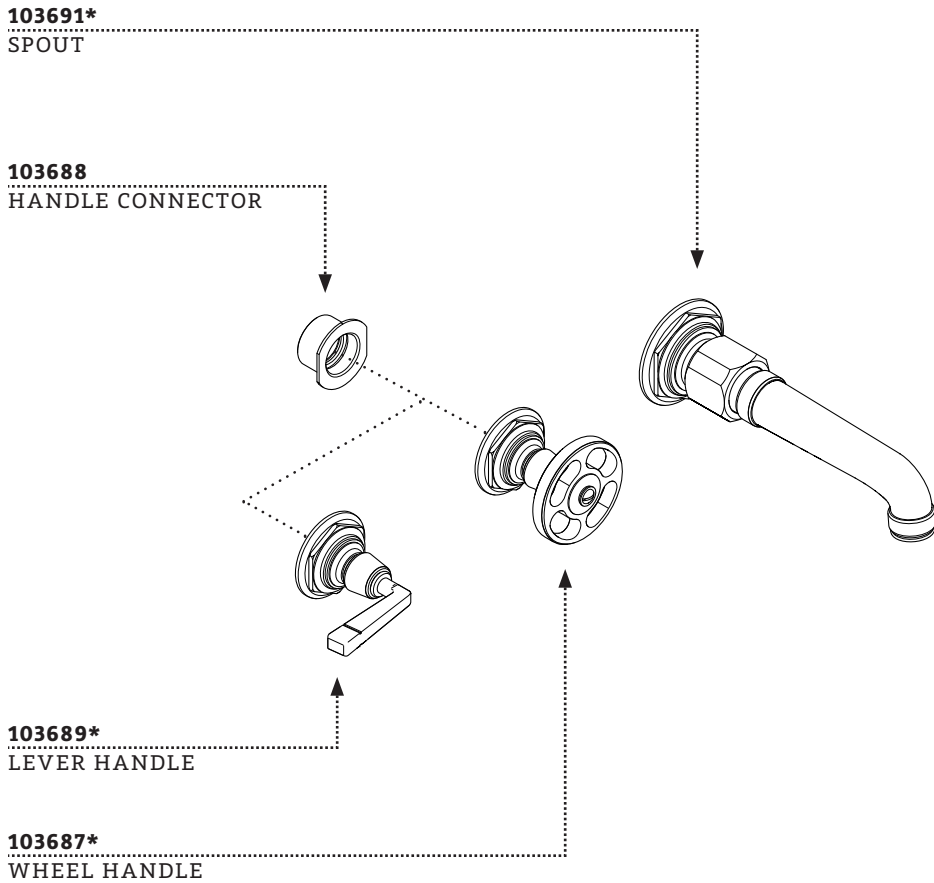


ESTB. 1978

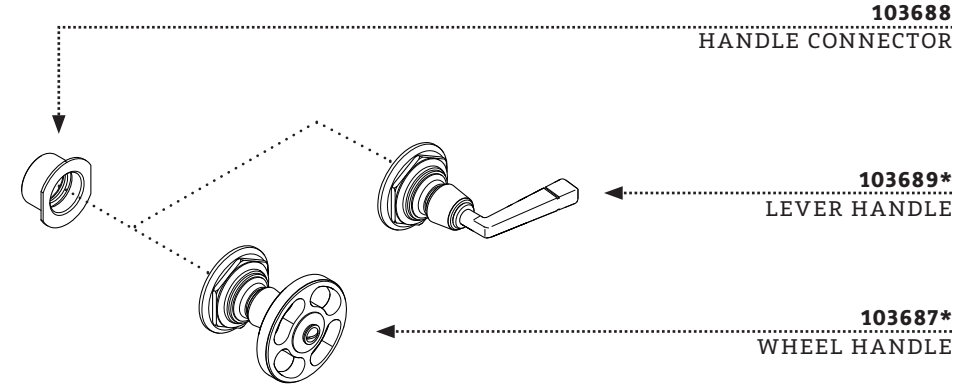
WATERWORKS

MAIN KITS

STYLES: RWLS60, RWLS70



*FINISH/COLOR MUST BE SPECIFIED WHEN ORDERING
++SUPPLIED AS A PAIR



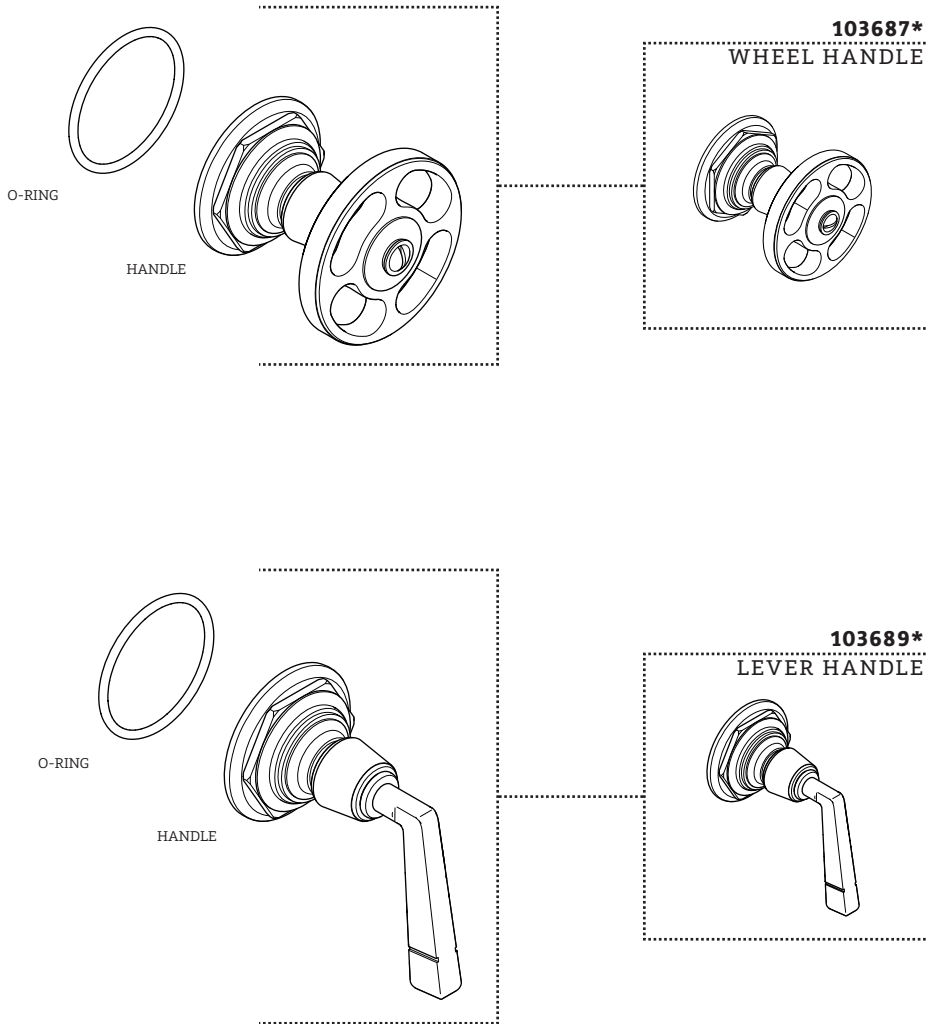


ESTB. 1978

WATERWORKS

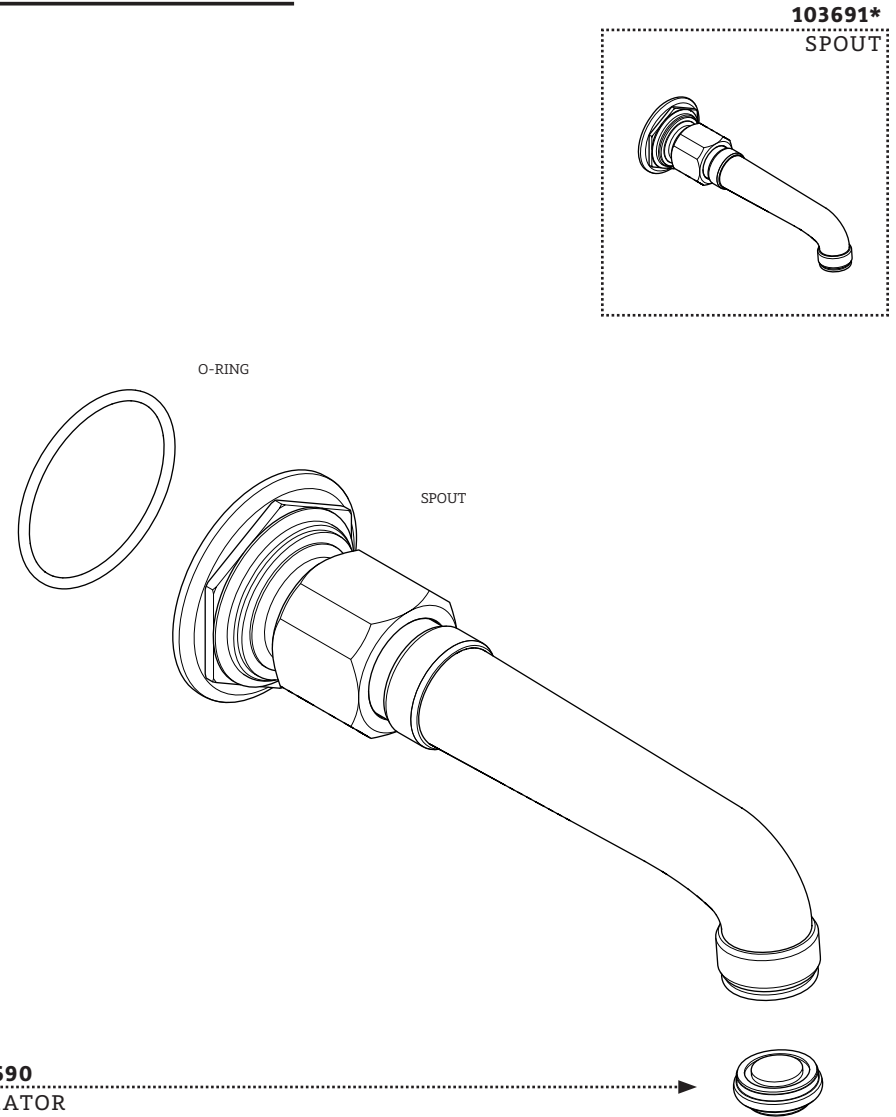
KIT COMPONENTS

STYLES: RWLS60, RWLS70



*FINISH/COLOR MUST BE SPECIFIED WHEN ORDERING
++SUPPLIED AS A PAIR

KIT COMPONENTS



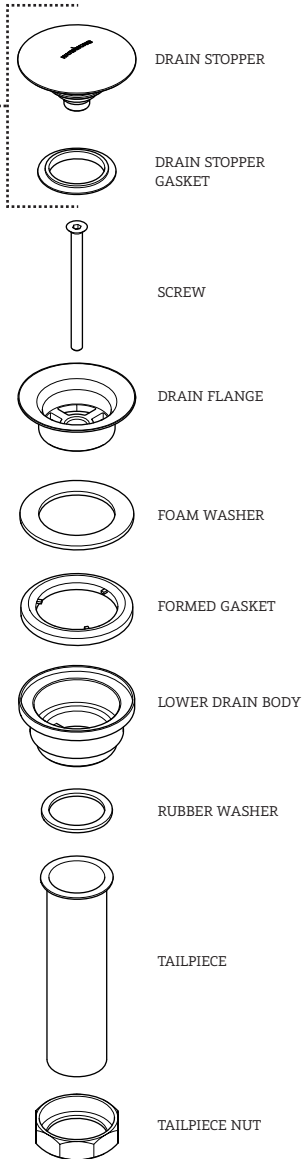


ESTB. 1978

WATERWORKS

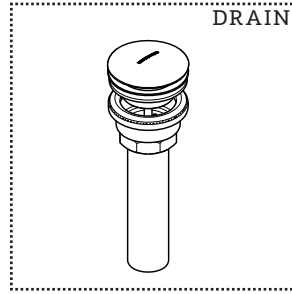
KIT COMPONENTS

103692*
DRAIN STOPPER



STYLES: RWLS60, RWLS70

103693*
DRAIN



*FINISH/COLOR MUST BE SPECIFIED WHEN ORDERING
++SUPPLIED AS A PAIR

SERVICE PARTS INDEX

<u>STYLE</u>	<u>DESCRIPTION</u>	<u>PG</u>
103690	AERATOR	5
103693*	DRAIN	6
103692*	DRAIN STOPPER	6
103688	HANDLE CONNECTOR	3
103689*	LEVER HANDLE	4
103691*	SPOUT	5
103687*	WHEEL HANDLE	4



ESTB. 1978

WATERWORKS

NOTES

STYLES: RWLS60, RWLS70

*FINISH/COLOR MUST BE SPECIFIED WHEN ORDERING
++SUPPLIED AS A PAIR

NOTES



ESTB. 1978

WATERWORKS

PRODUCT SUPPORT

60 BACKUS AVENUE

DANBURY, CT 06810

1 (800) 927-2120 (EXT 2)

WWW.WATERWORKS.COM