



36 200 710



- rotary diverter
- rosette 60 x 78 mm
- WRAS 2307045

	Brushed Platinum	36 200 710-06
	Chrome	36 200 710-00

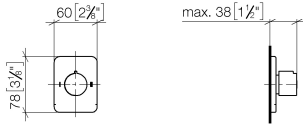
Required miscellaneous



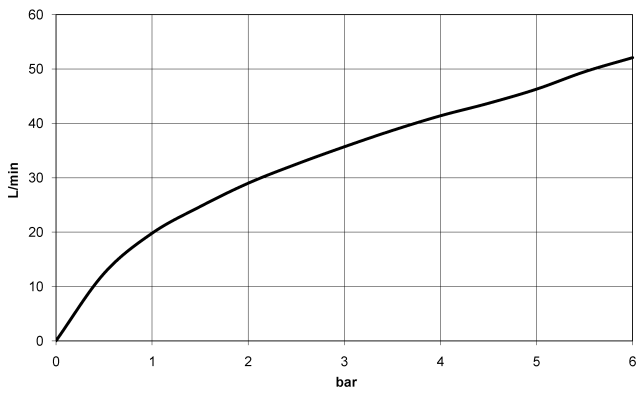
- Concealed two-way diverter -** 35 202 970 90
- max. recess depth 155 mm
 - min. recess depth 85 mm

36 200 710

mm [inches]



Flow rate chart



Codes & Standards

DIN 4109

ISO 3822

Scottish Water
Byelaws

UK Water Supply
Regulations

Ü-Zeichen



LULU Concealed two-way diverter - Brushed Platinum

LULU

36 200 710

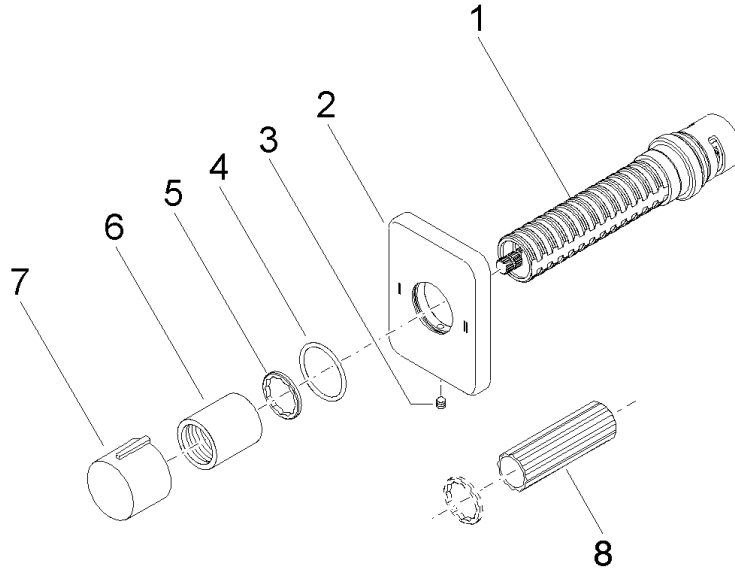
Certificates

WRAS_2307

LGA_38

36 200 710

Product version from 4/1/2022





LULU Concealed two-way diverter - Brushed Platinum

LULU

36 200 710

Spare parts list

Product version from 4/1/2022

No.	Item Number	Name	Quantity used	Delivery time
	90 90 03 304 10 90	diverter	8	2