

E75395



Collection: MODULO

Finish*:



CP - Chrome

Main features:



Features

- **DIMENSIONS:** 23 x 19.10 x 15 cm
- **MATERIAL:** 54
- Operates with all types of water heaters, minimum capacity 18 kW

Consumer benefits

- Equipped with an evacuation system to avoid condensation inside Modulo box
- Ergonomic handles for easy grip
- Diverter on flow-control handle
- Maximum temperature 50°C

- **WEIGHT:** 3.2 kg
- **INSTALLATION TYPE:** Built-in

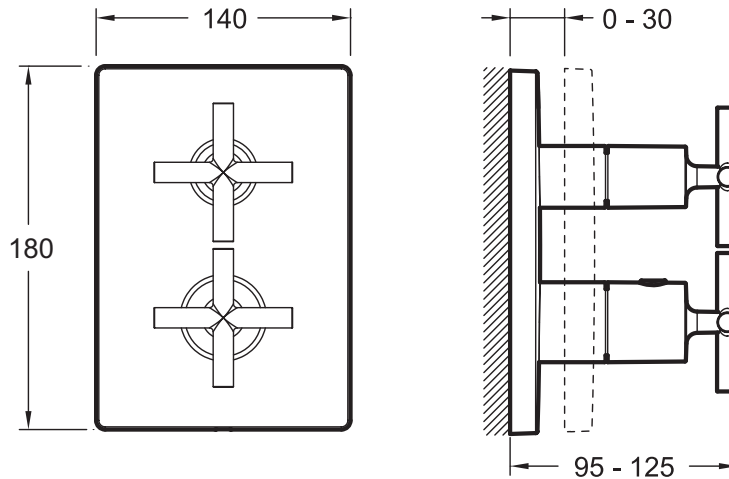
Installation benefits

- **FAST INSTALLATION:** Fixing screws pre-mounted to cartridge box
- **EASY INSTALLATION:** Thanks to guide notches
- **CONVENIENT MAINTENANCE:** Easy access to build-in body (thermostatic cartridge, non-return valves, etc.)
- **COMPONENTS:** Build-in body, trim and two handles

Required products

- 98699D: Universal recessed box

Technical drawing



Product Specification: Thermostatic mixer with stop valve/2-way selector - Classic trim. E75395. Collection: MODULO. DIMENSIONS: 23 x 19.10 x 15 cm. WEIGHT: 3.2 kg. MATERIAL: 54. INSTALLATION TYPE: Built-in. Operates with all types of water heaters, minimum capacity 18 kW.

*Due to possible variations in computer and printer calibrations, technical factors and certain finish characteristics, the colors you see may not accurately portray the actual colors and are provided as a guide only.