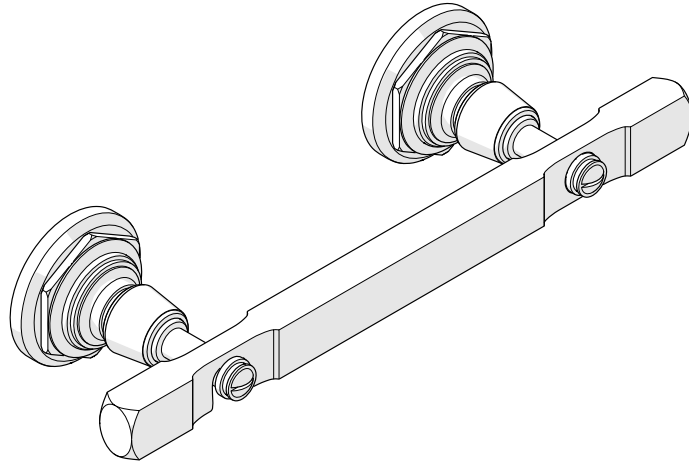




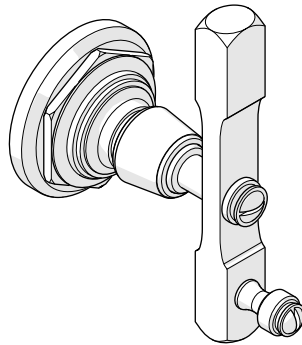
ESTB. 1978

# WATERWORKS SERVICE PARTS



## **STYLE RWP37**

R.W. Atlas Wall Mounted Three Piece Paper Holder



## **STYLE RWRH01**

R.W. Atlas Single Hook

---

WELCOME TO

# WATERWORKS

For over three decades, Waterworks has transformed the bath through an absolute commitment to design authenticity, innovation and quality. A blend of scholarly appreciation and applied experience guarantees mechanical integrity, meticulous craftsmanship, and timeless designs.

---

**TO ORDER PARTS CALL  
1 (800) 927-2120 (EXT 2)**

Order by part number and specify color, finish, or other options if required.

**PRODUCT SUPPORT**

Our Product Support team provides troubleshooting and technical problem resolution, including replacement parts and installation recommendations throughout the life of your product.

Product Support is available Monday through Friday, 8AM-6PM EST.

**LIMITED LIFETIME  
WARRANTY**

Our warranty covers repair and replacement of Waterworks products if within the applicable coverage period and deemed defective by Waterworks. Waterworks will, at its option, repair or replace such products; this does not include installation costs, labor charges, or other incidental or consequential costs.

To obtain your complete warranty or inquire about warranty service, please visit us at [www.waterworks.com](http://www.waterworks.com) or contact our Product Support Team.



ESTB. 1978

WATERWORKS

### MAIN KITS

STYLES: RWP37, RWRH01

103686  
MOUNTING HARDWARE

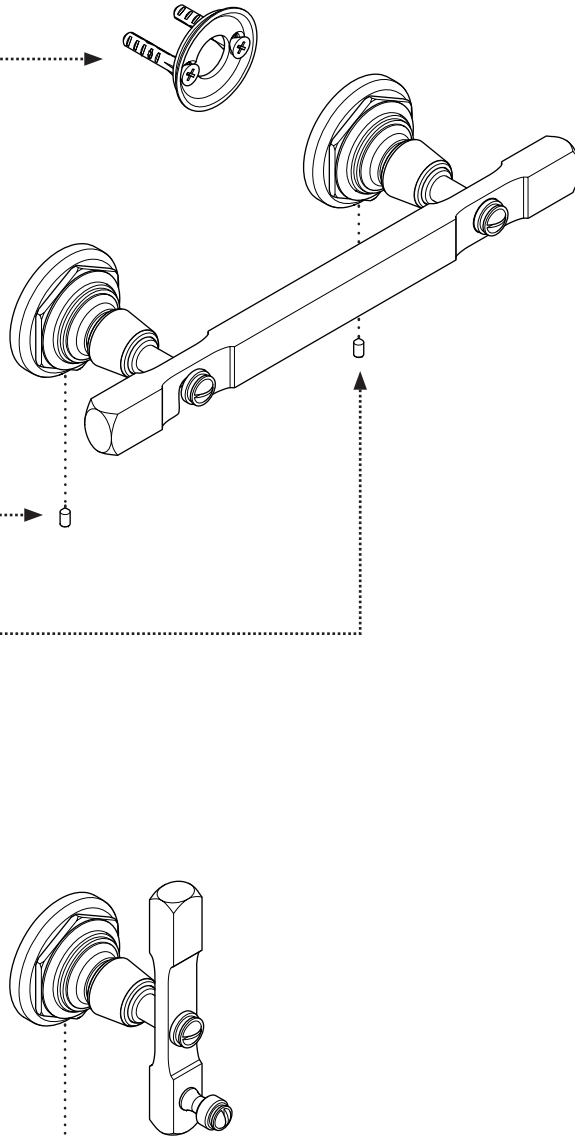
103686  
MOUNTING  
HARDWARE

103513  
FASTENING SET SCREW

103513  
FASTENING SET SCREW

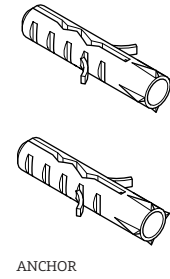
103686  
MOUNTING  
HARDWARE

103513  
FASTENING SET SCREW

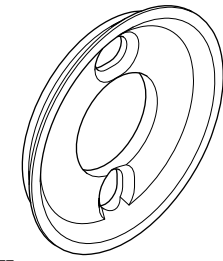


\*FINISH/COLOR MUST BE SPECIFIED WHEN ORDERING  
++SUPPLIED AS A PAIR

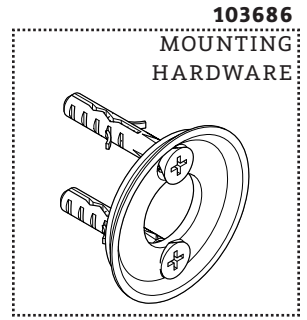
### KIT COMPONENTS



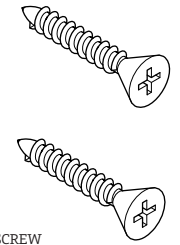
ANCHOR



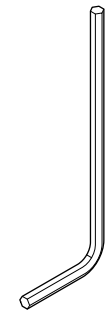
MOUNTING PLATE



103686  
MOUNTING  
HARDWARE



SCREW



HEX KEY



ESTB. 1978

WATERWORKS

## SERVICE PARTS INDEX

<u>STYLE</u>	<u>DESCRIPTION</u>	<u>PG</u>
103513	FASTENING SET SCREW	2
103686	MOUNTING HARDWARE	3

**STYLES: RWP37, RWRH01**

\*FINISH/COLOR MUST BE SPECIFIED WHEN ORDERING  
++SUPPLIED AS A PAIR

## NOTES

DOCUMENT: SPRW15\_REV01



ESTB. 1978

WATERWORKS

**PRODUCT SUPPORT**

60 BACKUS AVENUE

DANBURY, CT 06810

1 (800) 927-2120 (EXT 2)

[WWW.WATERWORKS.COM](http://WWW.WATERWORKS.COM)