

**298 x 598 x 190 mm**  
**Capacity approx. 34 l**

- Waste bin in robust, germ-reducing and easy-care stainless steel (AISI 304).
- All-stainless steel housing with rounded vertical corners. Visible surfaces satin finished and brushed. Further available surfaces: see below.
- Equipped with removable fabric stand bag in polypropylene, washable. Capacity approx. 34 l.
- Fabric stand bag replaces garbage bag.
- Mounting: With two screws through key holes and one optional anti-theft hole in the back wall.
- Delivery includes fixing material.
- Weight, including single package: 4.6 kg

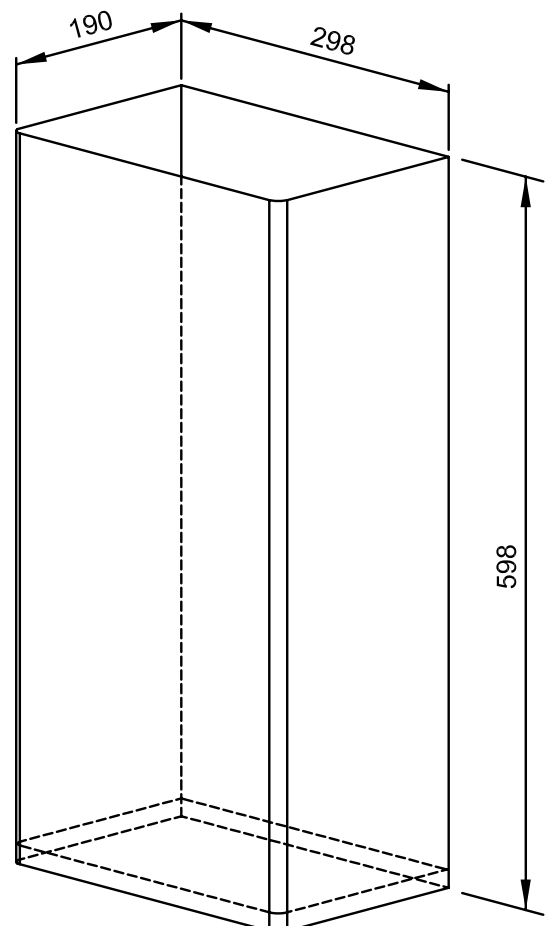


### Suggested text for specifications:

Waste bin in stainless steel (AISI 304) for surface mounting. All-stainless steel housing with rounded vertical corners. Visible surfaces satin finished and brushed. Equipped with removable fabric stand bag in polypropylene, washable. Capacity approx. 34 l. Delivery includes fixing material.

Dimensions: 298 x 598 x 190 mm

Article No. PP152



Available surfaces	ID No.
satin finished (standard)	727 810
highly polished	731 810
(coloured) plastic powder-coating	728 810