

## Cooker hob - Modular Induction Plate 7363 350

Cooker hobs

Code: 7363 350



### DETAILS

Coloring	Black
Material	Ceramic glass
Supply	Single-phase: 230 V; 1P + N; Two-phase 400 V; 2P + N; 50.60 Hz
Edge/Installation Type	Flush-mount   Top-mount
Dimensions	Ø 350 mm
Full description	Induction plate ø 350 mm - black - for Modular Induction system
Heating element	single zone
Total power	2.300 (3.000)* W
Power settings	9 power settings per zone + Powerboost

Safety

Safety equipment

---

Type

Induction Hob

---

Type of commands

Touch Control

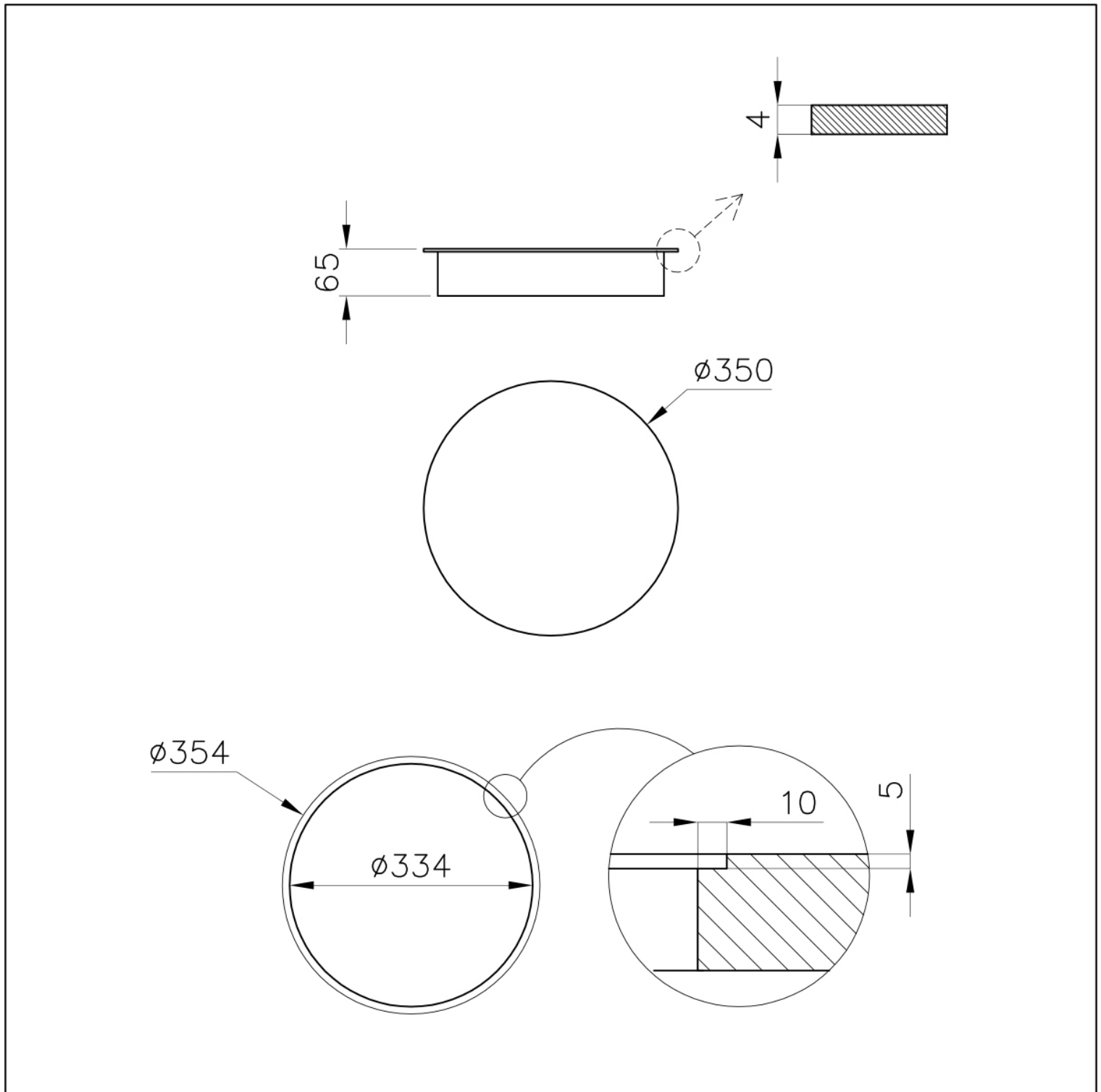
---

Notes:

\* Powerboost

---

## TECHNICAL DATA



## OPTIONAL ACCESSORIES



Induction Pro - Cookware set -  
8pcs 8210 008

## RECOMMENDED PAIRINGS



Cooker hob Touch Control  
Modular Induction 7368 020



Cooker hob Touch Control  
Modular Induction 7368 030



Cooker hob Touch Control  
Modular Induction 7368 040



Modular Induction 7369 020 -  
Connection Box



Modular Induction 7369 030 -  
Connection Box



Modular Induction 7369 040 -  
Connection Box