

R.W. ATLAS

RWSK51

R.W. Atlas 16" x 13 1/16" x 7 1/16" Stone Apron Bar Sink with Center Drain



TECHNICAL DETAILS

ADA Compliance: When installed per ADA guidelines
Bowl Shape: Rectangular
Drain Hole Diameter: 2 1/2"
Garbage Disposal: N
Depth / Width: 13 1/16"
Height: 7 1/16"
Length: 16"
Outer Rim Shape: Rectangular
Primary Material: Stone
Sound Proofing: N
Suggested Application: Bar, Kitchen, Laundry

INSPIRATION

Powerful shapes, genuine materials and unique aesthetic details. The original, impeccable vision of R.W. Atlas pairs American ingenuity with European craftsmanship.

PRODUCT FEATURES

Carved from a single block of stone
Polished finish on all 4 sides for apron installation in any orientation
Designed to be used with 2 1/2" Bar drain(UNKS15) Sold Separately
Not for use with garbage disposals

PRODUCT (NOTES)

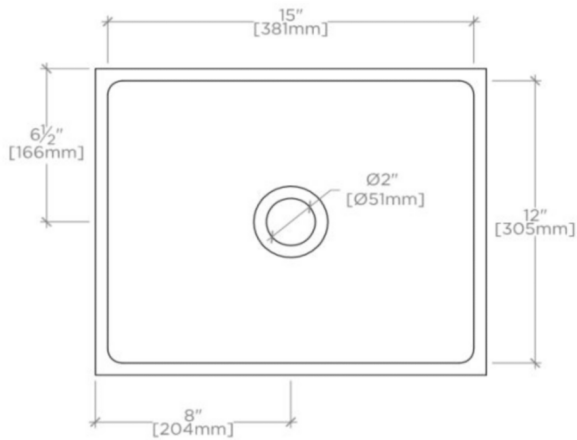
Dimensions of sinks are nominal and are subject to slight variations.

WATERWORKS

R.W. ATLAS

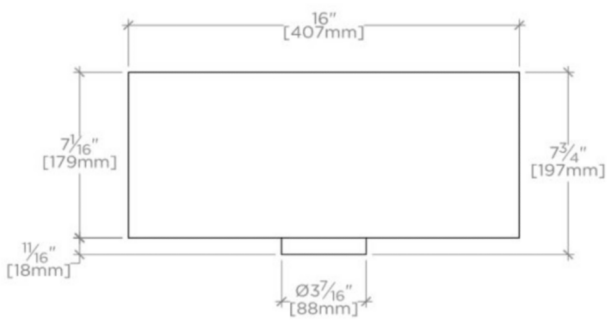
RWSK51

R.W. Atlas 16" x 13 1/16" x 7 1/16" Stone Apron Bar Sink with Center Drain



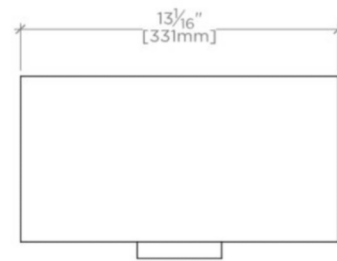
TOP VIEW

SCALE: 1/2"=1'-0"



FRONT VIEW

SCALE: 1/2"=1'-0"



SIDE VIEW

SCALE: 1/2"=1'-0"