



# IB RUBINETTI

Collection

## WHYNOT?

Article

## WN250

Description

**Wall mounted bath filler**

Box Dimensions

**220 x 170 x 130 mm**

Weight

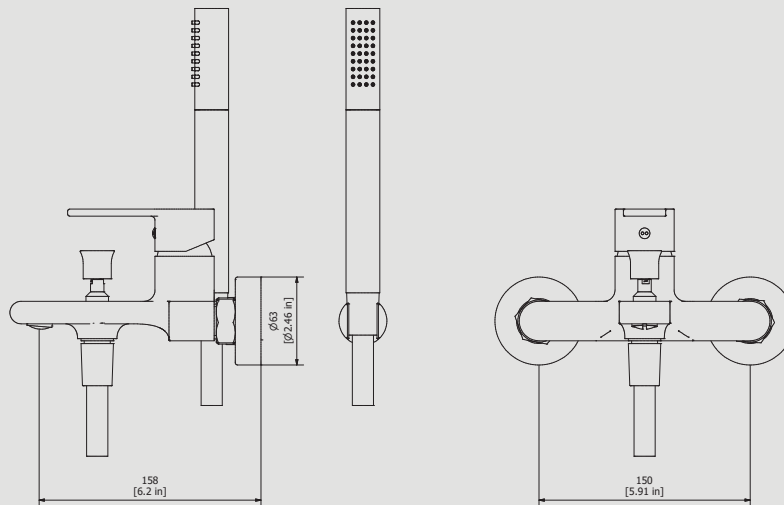
**2 kg**

Finishes

- CC** CHROME
- CF** BLACK CHROME
- OO** GOLD
- BB** ANTIQUE BRONZE
- SS** BRUSHED NICKEL
- CS** BRUSHED BLACK CHROME
- BO** MATT WHITE
- NP** MATT BLACK
- IS** BRUSHED PALE GOLD
- OS** BRUSHED GOLD
- II** PALE GOLD
- RR** ANTIQUE COPPER
- ORS** ROSE GOLD
- ON** NATURAL BRASS
- SR** BRUSHED ROSE GOLD
- PL** PLATINUM



Dimensions



Cartridge

**Ø35 ceramic cartridge**

Threaded fitting

**Threaded fitting G1/2" male**

Aerator

**M24x1**

Flow Rate (+/-10%)

<b>1 BAR</b>	<b>2 BAR</b>	<b>3 BAR</b>
<b>10.2 l/min</b>	<b>14.5 l/min</b>	<b>17.9 l/min</b>

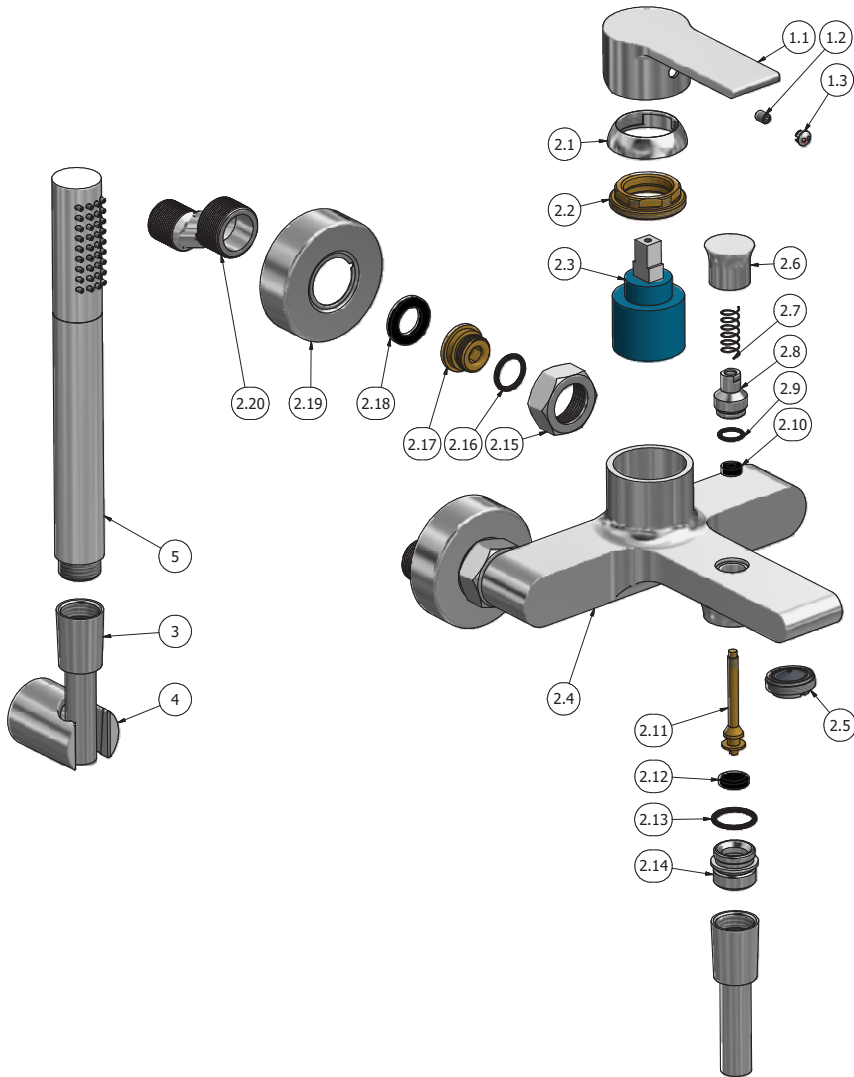
Production

**Main body is a single casted pieces**

Material

**BRASS**  
According to CuZn35Pb2AL-B (CB752S)  
Max Lead content: 1.36%





ELENCO PARTI			
ELEM	CODICE	DESCRIZIONE	QT
1	AQ0015945	Maniglia Ø42 H30 L103	1
1.1		Maniglia Ø42 leva 30x83 quadro 9x9	1
1.2		Grano inox M5x8 p.c.	1
1.3		Placchetta cromata Ø7	1
2	AQ0015943	Premontato vasca	1
2.1		Coprighiera M32x1.25F	1
2.2		Ghiera M37x1.25M M32x1.25M H10	1
2.3		Cartuccia ceramica Ø35	1
2.4		Corpo miscelatore vasca 175x145x60	1
2.5		Perlator coin slot M24x1 (45.2006.000)	1
2.6		Pomolo deviatore Ø24 H20	1
2.7		Molla Ø0.5 H25 Ø8.8	1
2.8		Inserto superiore deviatore Ø16 H22	1
2.9		OR 10x1.5 NBR 70 SH	1
2.10		Guarnizione a labbro Ø10 Ø4.5 H3.5	1
2.11		Asta deviatore Ø11.5 H55	1
2.12		Guarnizione biconica Ø15 H4.5	1
2.13		OR 18x2 NBR 70 SH	1
2.14		Inserto deviatore G1/2" Ø23 H17.5	1
2.15		Dado G3/4" ES30 H13.5	2
2.16		OR 15x2 NBR 70 SH	2
2.17		Inserto G1/2" M sx H12.5	2
2.18		Guarnizione Ø24.5 Ø15 H3	2
2.19		Rosone Ø62 H17.5	2
2.20		Eccentrico G1/2" G3/4" L46	2
3	AQ0010066	Flex cromolux L1500	2
4	AQ0013670	Supporto doccino con fisher	1
5	AQ0013557	Doccia Onair	1

**WARRANTY**

All IB Rubinetterie SpA products are warranted for 10 years from the date of purchase, for the following cases:

- Defects of casting, porosity and chrome plating.
- Operating defects caused by incorrect fabrication.

The warranty provides for repair or replacement of products with fabrication defects recognized by our technical office. There is no other type of compensation anche the merchandise must be returned FOB our warehouse. The warranty only cover surface defects (scatches, dings, etc.) on fitting that have not been installed and used, returned in its original packaging with all components. O-ring, gasket seals and components subject to wear proportional to use are warranted for 2 years.

**The warranty is void in the following cases:**

Error installing and putting the product into service.

Deterioration of finisched surfaces due to use of cleaning products containing acids or abrasive substances. Deterioration of surface with finishes other than chrome plating. Their durability is, in fact, dependent on the user's care and gentleness of use.

Deterioration of the fitting due incorrect installation.

Improper repairs and maintenance performed without the company's prior authorization.

The warranty from IB Rubinetterie SpA is not renewable.

**Cleaning**

We recommended cleaning the finish surfaces with water and soap, using a soft cloth.

Do not use detergents that cointain hydrochloric acid or abrasive substances.

