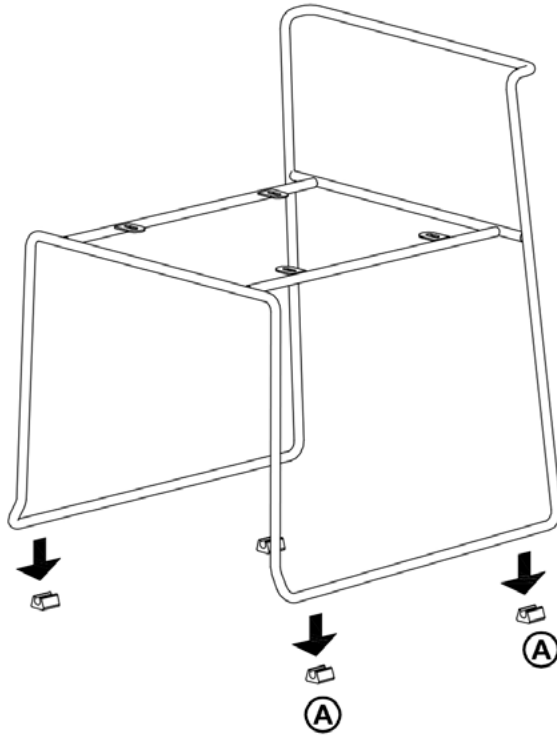






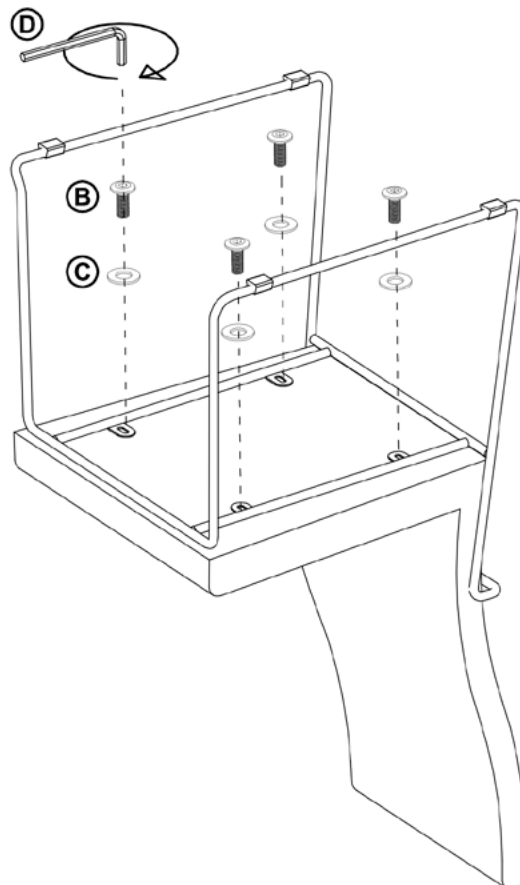


**FIG.**  
**1**



		
① Chair Frame x1	② Seat Bag x1	
		
Ⓐ $\phi$ 10 rubber x4	Ⓑ M6x16mm bolt x4	Ⓒ M8- $\phi$ 17x1.2 flat washer x4
		
Ⓓ 4# Hexagon wrench x1		

**FIG.**  
**2**



**FIG.**  
**3**

