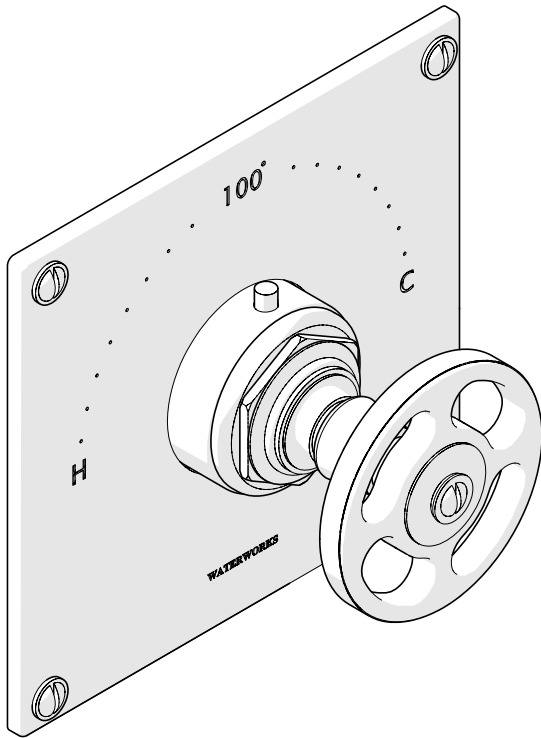
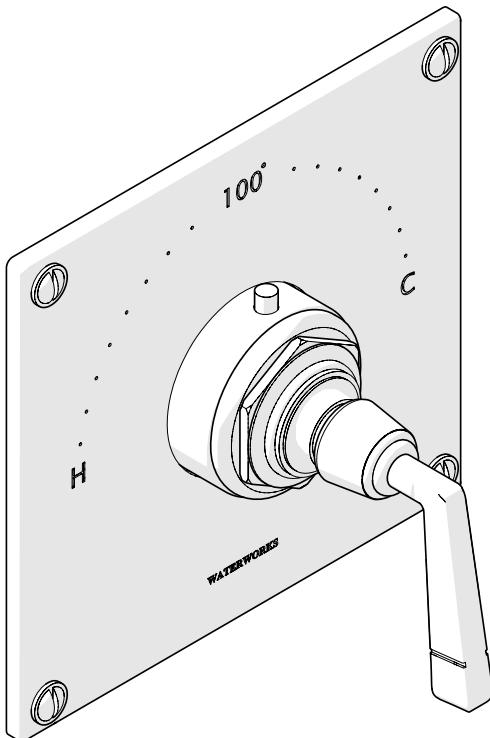


Metal Wheel Handle
Style No. RWTH01



Metal Lever Handle
Style No. RWTH10



SPECIFICATIONS:

Rough-In Depth when paired with Volume Control Valve:
GUVCI6 (GUSVI6) or GUVCI7 (GUSVI7):
2-1/2" MIN - 3-1/4" MAX

Rough-In Depth when paired with 2-Way Diverter
GUDV14 (GUSV14) & GUDV23 (GUSV23):
3-1/4" MIN - 4-1/4" MAX

REQUIRED PLUMBING DETAILS:

Universal 3/4" Thermostatic Valve
STYLE No. GUTH37
CODE No. GUSV37R

IMPORTANT:

- **NOTE: The screws on the front of the trim plate and on the front of the wheel handle are aesthetic only and do not serve any mechanical purpose and should not be removed.**
- To ensure this product is installed properly, you must read and follow these guidelines.
- The owner/user of this product must keep this information for future reference.
- This product is intended to work with the Waterworks Universal Thermostatic Valve (STYLE # GUTH37) which features anti-scald protection. The risk of scalding exists until the installer has properly calibrated/adjusted the temperature setting during final trim installation. Refer to the Installation Guidelines of the thermostatic valve for the rough-in installation.
- Be sure your installation conforms to federal state, and local codes. In the State of Massachusetts, all installations must comply with the rules and regulations set forth within 248 CMR.
- **This thermostatic valve trim only mixes hot and cold water. It does not have volume control or shut-off capabilities. A diverter or wall valve (sold separately) control on/off/volume and must be installed for each fitting that will have water flowing to it. This valve trim cannot be used directly with a diverting tub spout.**
- This product must be installed by a professional licensed contractor and must be onsite prior to rough-in, this allows the installer to visualize the installation.
- Inspect this product to ensure you have all the parts required for proper installation.
- Use only a strap wrench or protected/smooth-jaw wrench on any finished surface.
- **DO NOT use putty on fittings.**

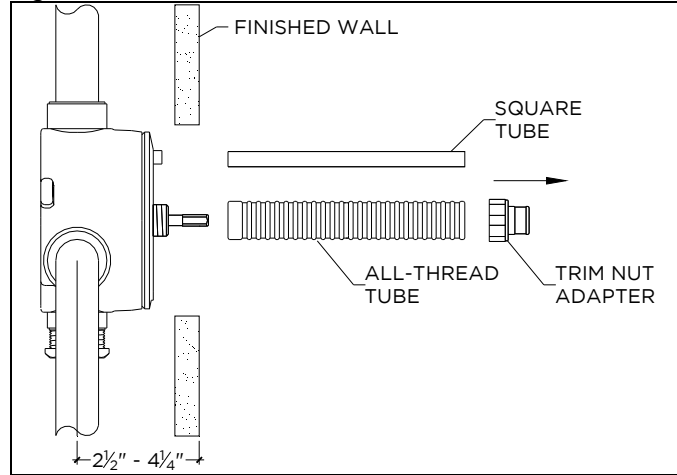
These guidelines have been prepared for the professional contractor to aid in the installation of:
RW ATLAS THERMOSTATIC CONTROL VALVE TRIM WITH METAL WHEEL HANDLE (STYLE# RWTH01) & METAL LEVER HANDLE (STYLE # RWTH10)
All dimensions are based on original specification and are subject to change and variation.
Please consult your Design Associate for current specifications.
SEE SERVICE PART DOCUMENT FOR PART ORDERING, AVAILABLE ON WATERWORKS.COM

WATERWORKS

TRIM PLATE INSTALLATION:

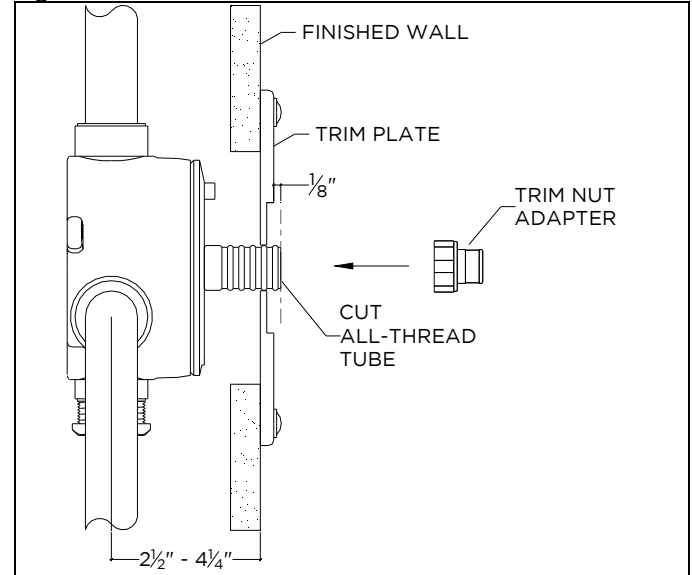
1. Unthread the trim nut from the all thread tube, remove the square tube, then thread the all thread tube onto the cartridge. See Figure - 01.

Figure - 01



- See Figure - 02 for steps 2 - 6.
2. Slide the trim plate over the all thread tube until the plate contacts the wall.
 3. While holding the trim plate against the wall, mark the tube at a point 1/8" in front of where it protrudes from the face of the trim plate.
 4. Remove trim plate & all thread tube, then cut the tube at the point marked in Step 3. DO NOT cut the end of the tube that has the internal threads.
 5. Re-attach the cut all thread tube and slide the trim plate over the tube, making sure the foam gasket is between the back of the plate and the finished wall.
 6. Thread the trim nut onto the all thread tube. This will hold the trim plate against the wall.

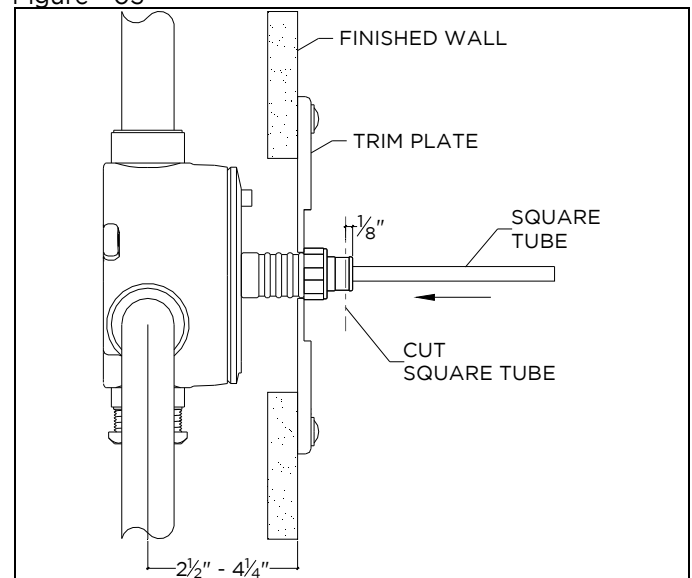
Figure - 02



- See Figure - 03 for steps 7 - 10.

7. Fully insert the square tube into the trim nut, then by feel, make sure it slides over the stem of the thermostatic valve and stops against the valve's cover plate. When seated properly onto the stem, the square tube will have rotational resistance.
8. Mark the square tube at the point where it passes through the face of the trim nut.
9. Remove the square tube and cut it 1/8" behind the mark made on the tube from Step 8.
10. After cutting, insert the square tube back into the trim nut, making sure it is slightly recessed into the trim nut.

Figure - 03



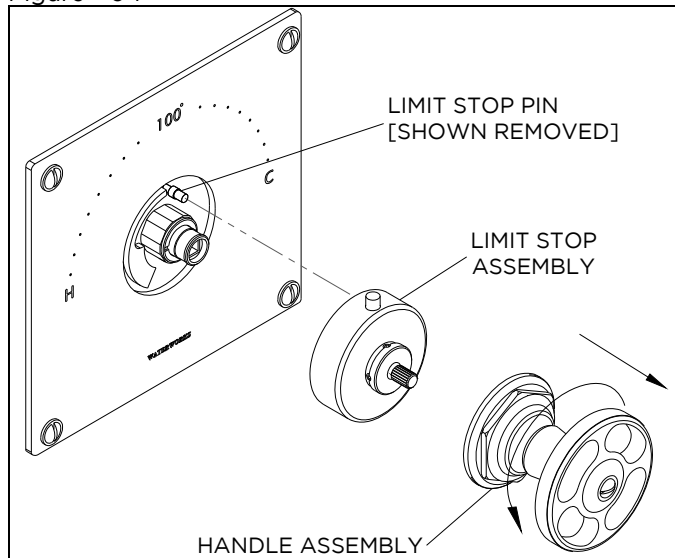
These guidelines have been prepared for the professional contractor to aid in the installation of:
RW ATLAS THERMOSTATIC CONTROL VALVE TRIM WITH METAL WHEEL HANDLE (STYLE# RWTH01) & METAL LEVER HANDLE (STYLE# RWTH10)
 All dimensions are based on original specification and are subject to change and variation.
 Please consult your Design Associate for current specifications.
SEE SERVICE PART DOCUMENT FOR PART ORDERING, AVAILABLE ON WATERWORKS.COM

WATERWORKS

TEMPERATURE CALIBRATION:

- The risk of scalding exists until the installer has properly calibrated the temperature setting.
 - See Figure - 04 for steps 11 - 15.
11. Turn on the water supply and a wall valve to run water through the valve and insert a bladed screw driver into the square tube.
 12. Slowly rotate the square tube clockwise to attain full cold, then rotate it counter-clockwise to attain full hot. Verify a full range of temperature exists. Note: It is approximately 2 complete rotations from full cold to full hot.
 13. With water running, rotate the square tube to adjust the temperature to the maximum desired bathing temperature, verified with a thermometer. Turn the water off and make sure not to change this temperature setting.
 14. Unthread the handle assembly from the limit stop assembly and loosen the 4 set screws on the limit stop.
 15. Insert the limit stop assembly onto the trim nut making sure the limit stop pin (shown removed) makes contact with the limit stop on the trim plate, then tighten the 4 set screws.

Figure - 04

**INSPECT THE INSTALLATION:**

16. Turn the limit stop clockwise then turn the water on and confirm the limit stop is functioning properly by turning it counter-clockwise at which point it should stop.
17. Verify the temperature to be the maximum

temperature set in Step 13. If it is not the correct temperature, repeat the calibration procedures in Steps 11-15.

18. To get a hotter temperature, press and hold the limit stop button, then rotate the limit stop until it stops. It is NOT recommended to exceed a safety limit stop of 110 degrees.
 19. Re-attach the handle assembly to the limit stop.
- **If further assistance is required, please contact Product Support at 1-800-927-2120 (8am-6pm EST).**
 - **See service part document for parts ordering, available on WATERWORKS.COM.**

These guidelines have been prepared for the professional contractor to aid in the installation of: **RW ATLAS THERMOSTATIC CONTROL VALVE TRIM WITH METAL WHEEL HANDLE (STYLE# RWTH01) & METAL LEVER HANDLE (STYLE# RWTH10)**
 All dimensions are based on original specification and are subject to change and variation.
 Please consult your Design Associate for current specifications.
SEE SERVICE PART DOCUMENT FOR PART ORDERING, AVAILABLE ON WATERWORKS.COM

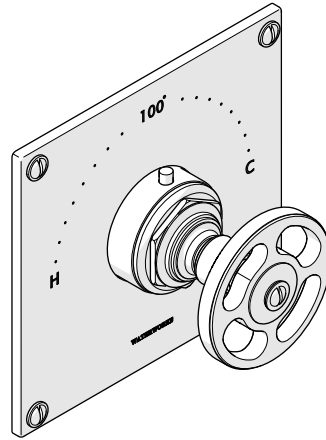
WATERWORKS



ESTB. 1978

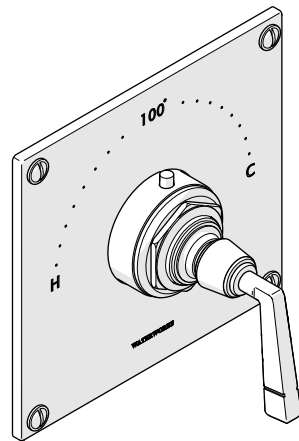
WATERWORKS

SERVICE PARTS



STYLE RWTH01

R.W. Atlas Thermostatic Control Valve Trim
with Metal Wheel Handles



STYLE RWTH10

R.W. Atlas Thermostatic Control Valve Trim
with Metal Lever Handles

WELCOME TO

WATERWORKS

For over three decades, Waterworks has transformed the bath through an absolute commitment to design authenticity, innovation and quality. A blend of scholarly appreciation and applied experience guarantees mechanical integrity, meticulous craftsmanship, and timeless designs.

**TO ORDER PARTS CALL
1 (800) 927-2120 (EXT 2)**

Order by part number and specify color, finish, or other options if required.

PRODUCT SUPPORT

Our Product Support team provides troubleshooting and technical problem resolution, including replacement parts and installation recommendations throughout the life of your product.

Product Support is available Monday through Friday, 8AM-6PM EST.

**LIMITED LIFETIME
WARRANTY**

Our warranty covers repair and replacement of Waterworks products if within the applicable coverage period and deemed defective by Waterworks. Waterworks will, at its option, repair or replace such products; this does not include installation costs, labor charges, or other incidental or consequential costs.

To obtain your complete warranty or inquire about warranty service, please visit us at www.waterworks.com or contact our Product Support Team.



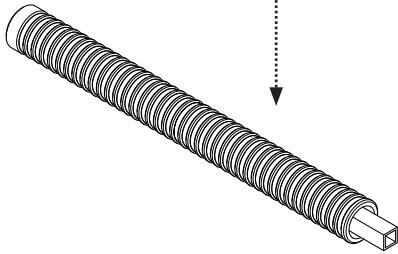
ESTB. 1978

WATERWORKS

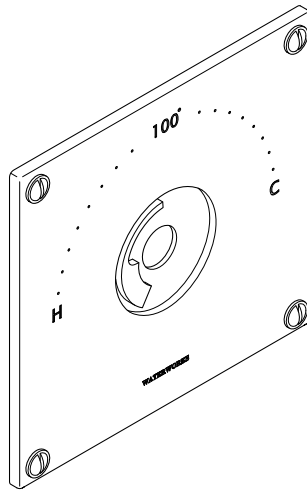
MAIN KITS

STYLES: RWTH01, RWTH10

812191
TRIM CONNECTOR



103707*
FACEPLATE TRIM

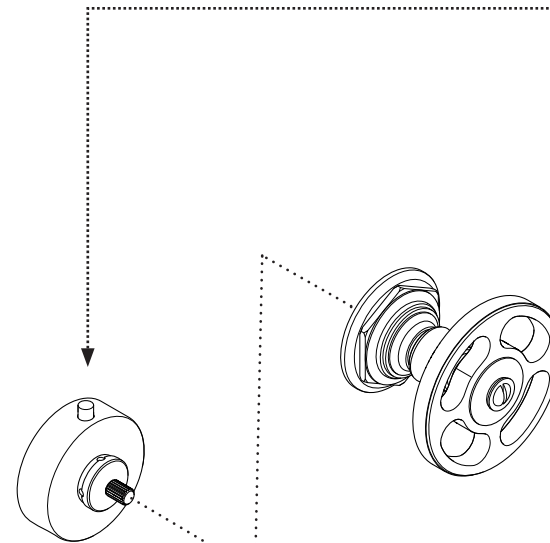


594565
TRIM NUT

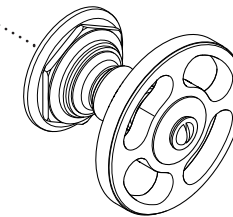


*FINISH/COLOR MUST BE SPECIFIED WHEN ORDERING
++SUPPLIED AS A PAIR

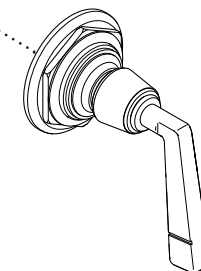
103708*
LIMIT STOP



103799*
WHEEL HANDLE



103804*
LEVER HANDLE



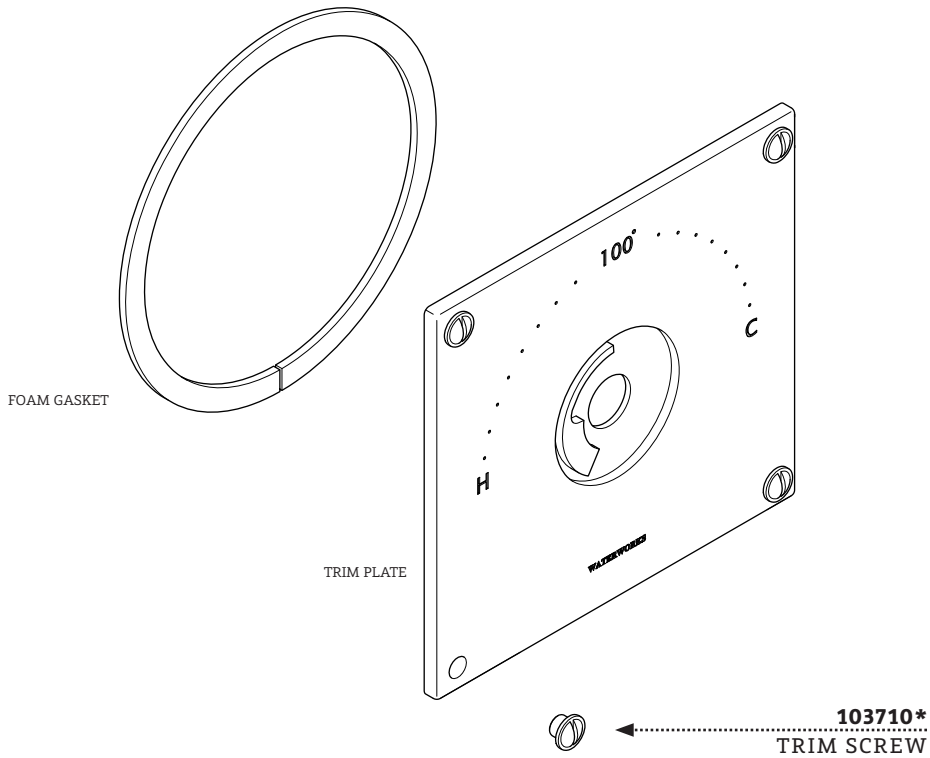
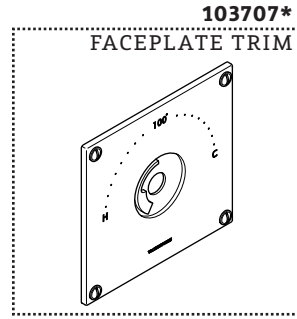


ESTB. 1978

WATERWORKS

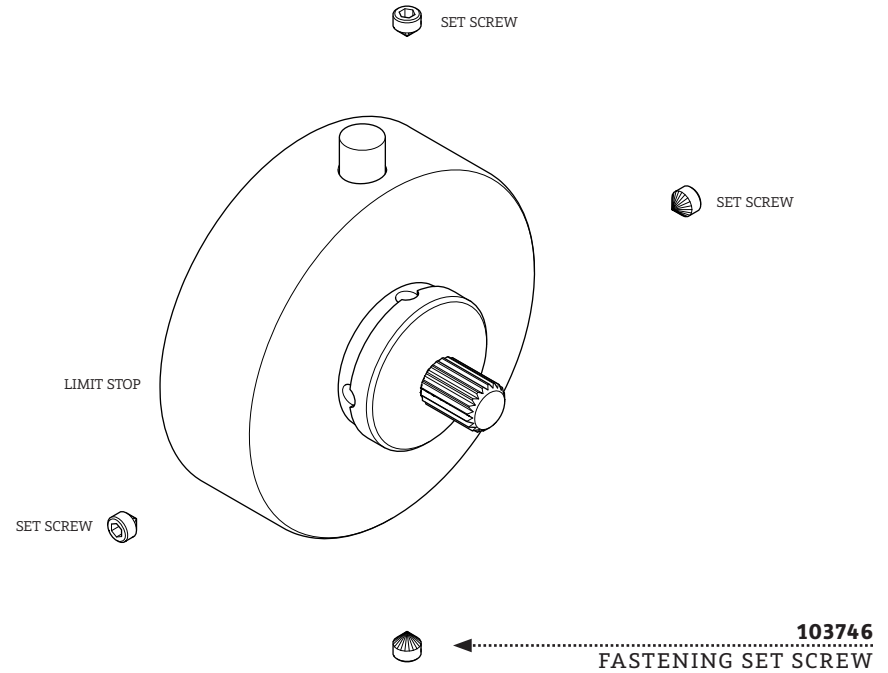
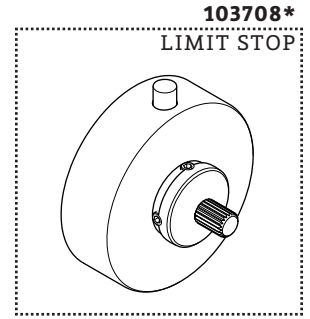
KIT COMPONENTS

STYLES: RWTH01, RWTH10



*FINISH/COLOR MUST BE SPECIFIED WHEN ORDERING
++SUPPLIED AS A PAIR

KIT COMPONENTS



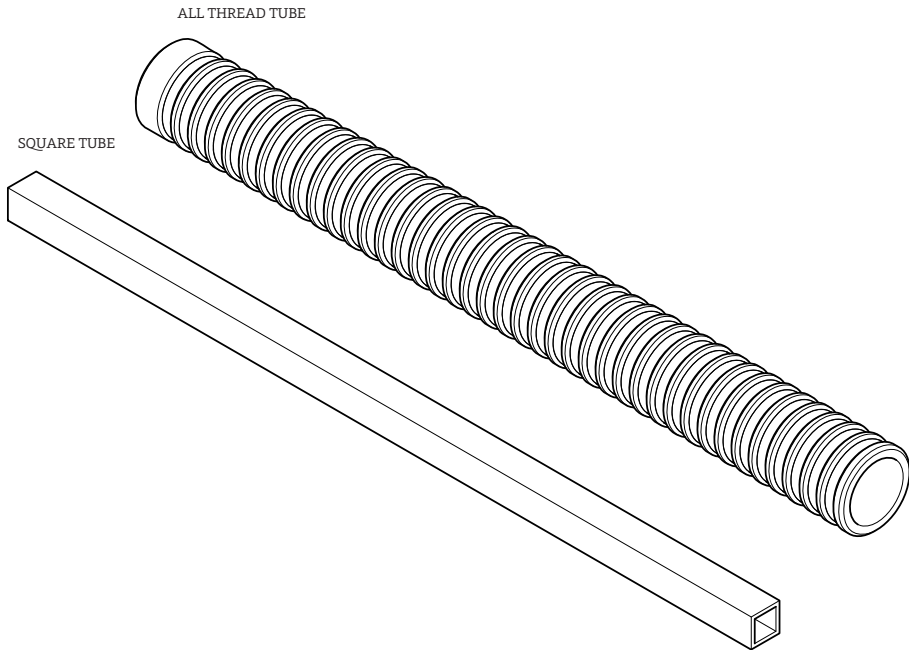
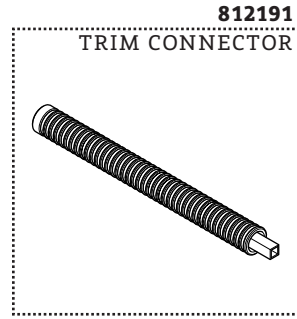


ESTB. 1978

WATERWORKS

KIT COMPONENTS

STYLES: RWTH01, RWTH10



*FINISH/COLOR MUST BE SPECIFIED WHEN ORDERING
++SUPPLIED AS A PAIR

SERVICE PARTS INDEX

<u>STYLE</u>	<u>DESCRIPTION</u>	<u>PG</u>
103707*	FACEPLATE TRIM	4
103746	FASTENING SET SCREW	5
103804*	LEVER HANDLE	3
103708*	LIMIT STOP	5
812191	TRIM CONNECTOR	6
594565	TRIM NUT	2
103710*	TRIM SCREW	4
103799*	WHEEL HANDLE	3



ESTB. 1978

WATERWORKS

NOTES

STYLES: RWTH01, RWTH10

*FINISH/COLOR MUST BE SPECIFIED WHEN ORDERING
++SUPPLIED AS A PAIR

NOTES



ESTB. 1978

WATERWORKS

PRODUCT SUPPORT

60 BACKUS AVENUE

DANBURY, CT 06810

1 (800) 927-2120 (EXT 2)

WWW.WATERWORKS.COM