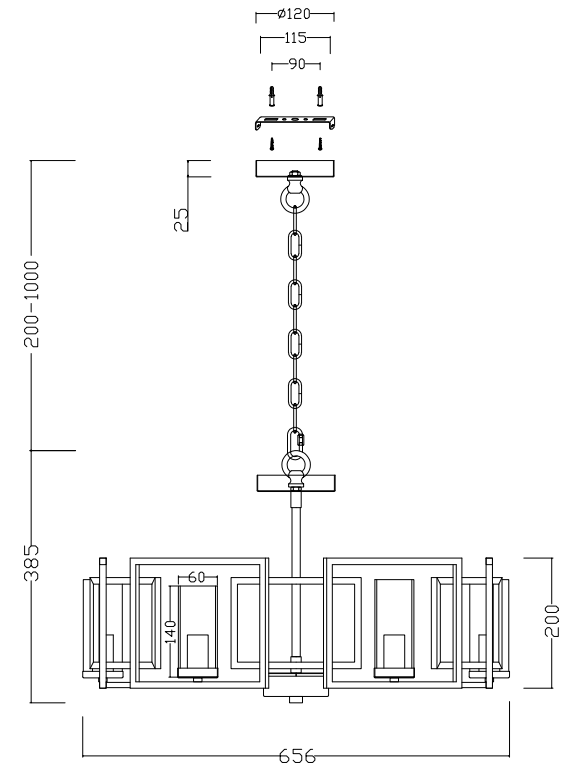
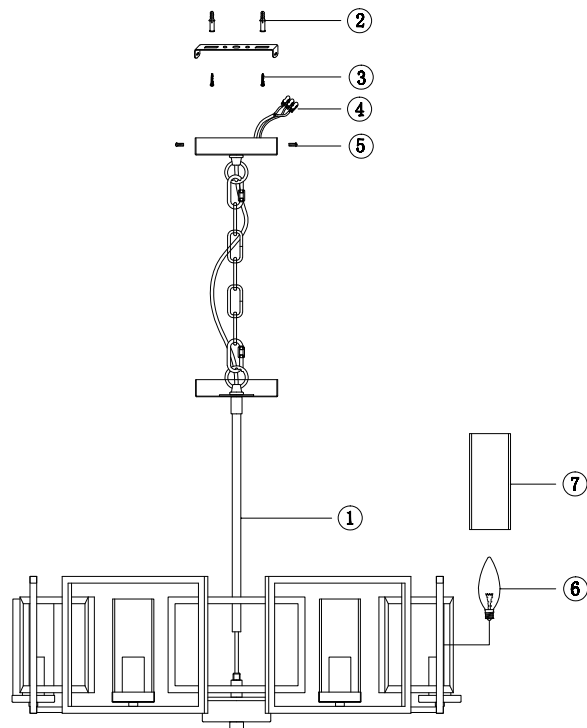


Instruction

H009PL-06G



Gross Weight: 5,5 kg

Color: Gold

Net Weight: 4,6 kg

Material: Metal

Volume: 0,13068 m³

Weight and Volume Margin of Error: $\pm 10\%$



6 x E14 (40W)

Model: H009PL-06G

Collection: House

Series: Bowi



Pendant Lamps