

### Features

- Single-speed whirlpool offers performance and value, with 5 fully adjustable jets.
- Hydromassage flow and direction can be controlled at each jet.
- Hourglass shape adds style and elegance to your bathroom.
- Textured bottom surface.
- Multiple pump location options give you more choices for installation and access. (See specification sheet for pump locations.)

### Material

- Acrylic.

### Hydrotherapy

- Whirlpool.

### Installation

- Reversible drain.
- Drop-in.

### Recommended Products/Accessories

K-1278 Removable Apron  
K-7161-AF 1-1/2" adjustable pop-up drain above- or through-floor  
K-9695 5-Jet Trim Kit  
K-24916 Wireless Music Kit  
K-1491 Bath/Whirlpool Pillow  
K-1601 Bath/Whirlpool Footstop  
K-7213 27" Cable Bath Drain  
K-7214 27" Cable Bath Drain  
K-37380 30" Rough-in Cable Bath Drain  
K-37383 Rough-in cable bath drain, PVC, 30" cable with tubing  
K-37386 rough-in cable drain, PVC, 30" cable  
K-23726 Drain treatment  
K-23732 Tub & shower cleaner  
K-7265 Brass toe tap bath drain  
K-7259 Brass toe tap bath drain  
K-7166-AF Bath Drain



### Codes/Standards

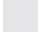




ASME A112.19.7/CSA B45.10  
CSA B45.5/IAPMO Z124  
ASTM E162  
ASTM E662  
UL 1795

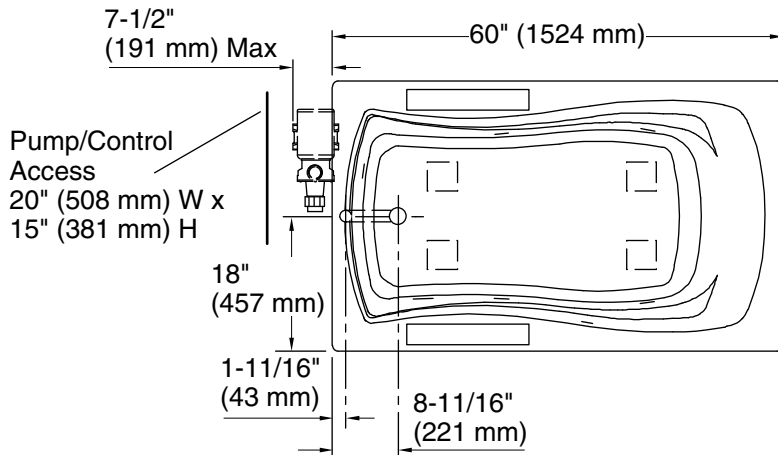
**KOHLER® Plastic Baths and Receptors  
Lifetime Limited Warranty  
KOHLER® Hydrotherapy Components  
Five-Year Limited Warranty**

See website for detailed warranty information.

### Available Colors/Finishes

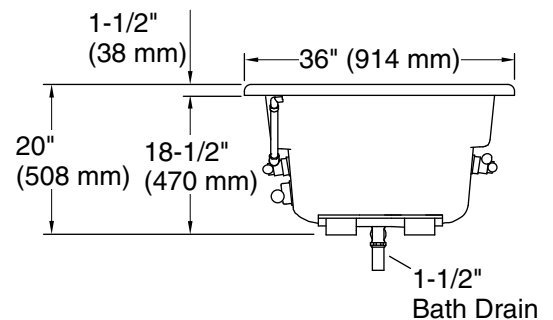
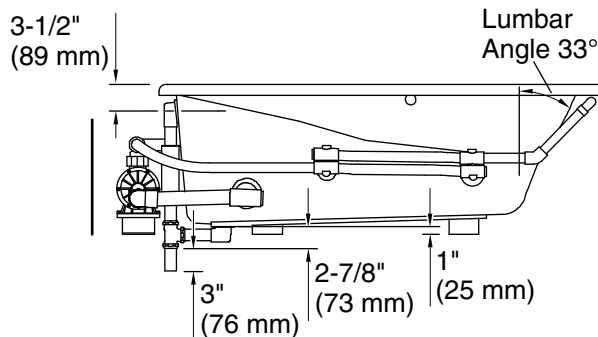
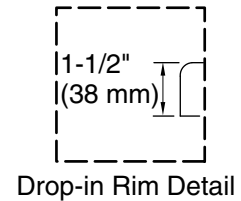
*Color tiles intended for reference only.*

| Color  | Code | Description |
|--|------|-------------|
|  | 0    | White       |
|  | 96   | Biscuit     |
|  | 47   | Almond      |
|  | NY   | Dune        |
|  | G9   | Sandbar     |



No change in measurements if connected with drain illustrated. (K-7161-AF)

□ Recommended Faucet Location



### Required Electrical Service

One dedicated circuit required, protected with Class A Ground-Fault Circuit-Interrupter (GFCI). Outside North America, this device may be known as a Residual Current Device (RCD).

Pump: 120 V, 15 A, 60 Hz

### Technical Information

All product dimensions are nominal.

|                              |   |
|------------------------------|---|
| Installation:                | Drop-in   |
| Drain location:              | End   |
| Basin area, bottom:          | 46" x 24" (1168 mm x 610 mm)                      |
| Basin area, top:             | 54" x 27" (1372 mm x 686 mm)                      |
| Weight:                      | 105 lbs (47.6 kg)                                 |
| Minimum floor load:          | 44 lbs/ft <sup>2</sup> (214.8 kg/m <sup>2</sup> ) |
| Water depth:                 | 14" (356 mm)                                      |
| Water capacity:              | 63 gal (238.5 L)                                  |
| Cutout:                      | Drop-in, 58" x 34" (1473 mm x 864 mm)             |
| Electrical component rating: | Pump: 120 V, 7.5 A, 60 Hz                         |
| Pump speed:                  | Single  |
| Minimum flat for door:       | 2" (50 mm)  |

### Notes

Measure your actual product for rough-in details. Install this product according to the installation instructions.

The hot water supply should be 70% of the capacity of the bath or greater. Installations will vary.

Pump must be relocated to custom position at the time of installation. Provide adequate clearance.

If installing a rim-mount faucet, make sure there is no interference above or below the deck before drilling any holes.