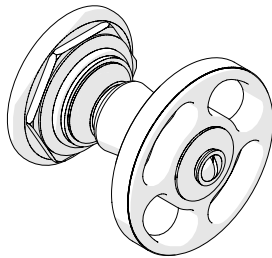
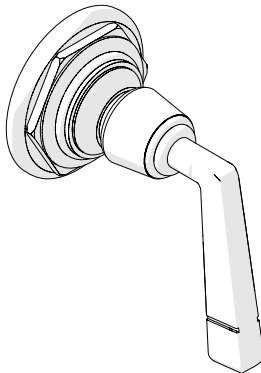


Metal Wheel Handle
Style No. RWVC01



Metal Lever Handle
Style No. RWVC10



SPECIFICATIONS:

Fitting Hole Diameter: 1-3/8"

Volume Control Valve Rough-In Depth:

GUV16 or **GUV17**: 2-1/2" MIN - 3-1/4" MAX

2-Way Diverter with Shutoff Valve Rough-In Depth:

GUDV14 (GUSV14R): 3-1/4" MIN - 4-1/4" MAX

2-Way Diverter without Shutoff Valve Rough-In Depth:

GUDV23 (GUSV23R): 3-1/4" MIN - 4-1/4" MAX

REQUIRED PLUMBING DETAILS:

Universal 3/4" Volume Control Valve (Clockwise Close)

STYLE No. GUV16

CODE No. GUSV16R

Universal 3/4" Volume Control Valve (Counterclockwise Close)

STYLE No. GUV17

CODE No. GUSV17R

Universal 2-Way Diverter with Shutoff Valve

STYLE No. GUDV14

CODE No. GUSV14R

Universal 2-Way Diverter without Shutoff Valve

STYLE No. GUDV23

CODE No. GUSV23R

Universal 3-Way Diverter with Shutoff Valve

STYLE No. GUDV66

Universal 3-Way Diverter without Shutoff Valve

STYLE No. GUDV65

IMPORTANT:

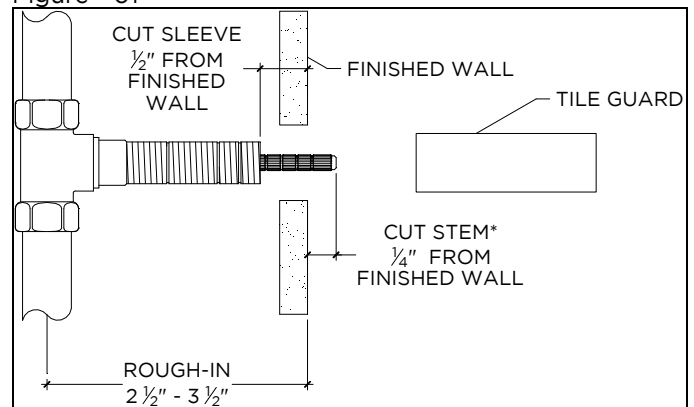
- To ensure this product is installed properly, you must read and follow these guidelines.

- The owner/user of this product must keep this information for future reference.
- Be sure your installation conforms to federal state, and local codes. In the State of Massachusetts, all installations must comply with the rules and regulations set forth within 248 CMR.
- This product must be installed by a professional licensed contractor and must be onsite prior to rough-in, this allows the installer to visualize the installation.
- Wall valves control on/off/volume and must be installed for each fitting that will have water flowing to it. If using a wall valve with the Universal 3/4" Thermostatic Valve (Style No. GUTH37R), refer to the Installation Guidelines for the Thermostatic Valve which contains related installation information.
- Inspect this product to ensure you have all the parts required for proper installation.
- Use only a strap wrench or protected/smooth-jaw wrench on any finished surface.
- DO NOT use putty on fittings.

CONTROL VALVE TRIM INSTALLATION WITH VOLUME CONTROL VALVES GUV16R/17R:

- See Figure - 01 for steps 1 & 2
1. Pull the tile guard off the threaded sleeve from the wall valve rough. Mark the threaded sleeve at the finished wall. Unthread the sleeve and cut 1/2" behind the mark.
 2. Mark the cartridge stems at the wall, then unthread the cartridge from the valve body. Cut the cartridge stems 1/4" in front of the mark.
 3. After the cuts have been made, thread cartridge and handles sleeves back onto valve body.

Figure - 01

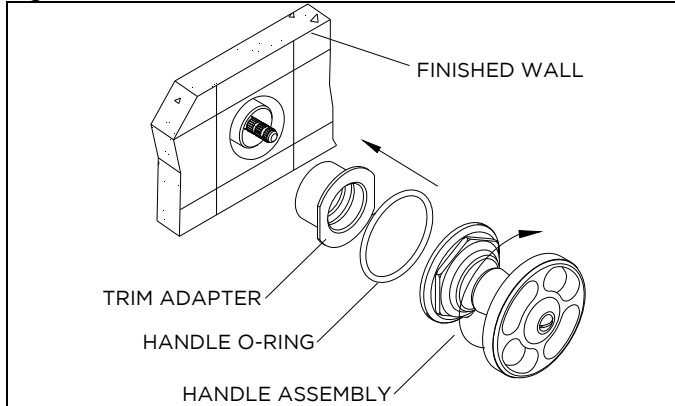


These guidelines have been prepared for the professional contractor to aid in the installation of:
RW ATLAS VOLUME CONTROL VALVE TRIM WITH METAL WHEEL HANDLE (STYLE# RWVC01) & METAL LEVER HANDLE (STYLE# RWVC10)
 All dimensions are based on original specification and are subject to change and variation.
 Please consult your Design Associate for current specifications.
SEE SERVICE PART DOCUMENT FOR PART ORDERING, AVAILABLE ON WATERWORKS.COM

WATERWORKS

- See Figure - 02 for steps 4 & 5
- 4. Thread the trim nut to the threaded sleeve until they stop at the finished wall.
- 5. Install handle assembly by threading it into the trim adapter, making sure the o-ring is behind the escutcheon. Use the handle's knurled piece to get a good grip.

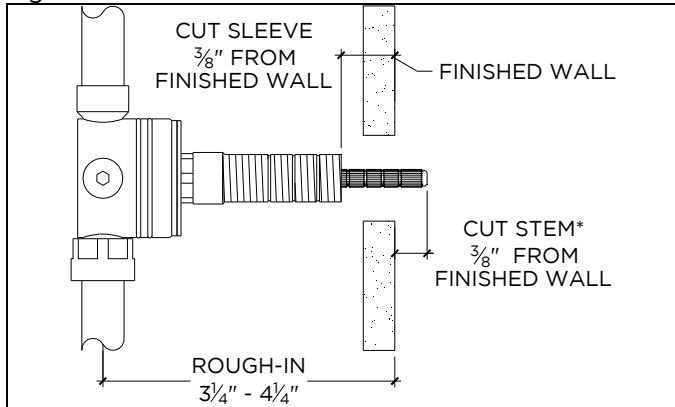
Figure - 02



CONTROL VALVE TRIM INSTALLATION WITH 2- WAY or 3-WAY DIVERTER CONTROL VALVES GUDV14R/23R/65/66:

- See Figure - 03 for steps 6 & 7
- 6. Pull the tile guard off the threaded sleeve on the diverter valve rough. Mark the threaded sleeve at the finished wall. Unthread the sleeve and cut 3/8" behind the mark.
- 7. Mark the cartridge stems at the wall, then unthread the cartridge from the valve body. Cut the cartridge stems 3/8" in front of the mark.
- 8. After the cuts have been made, thread cartridge and handles sleeves back onto valve body.

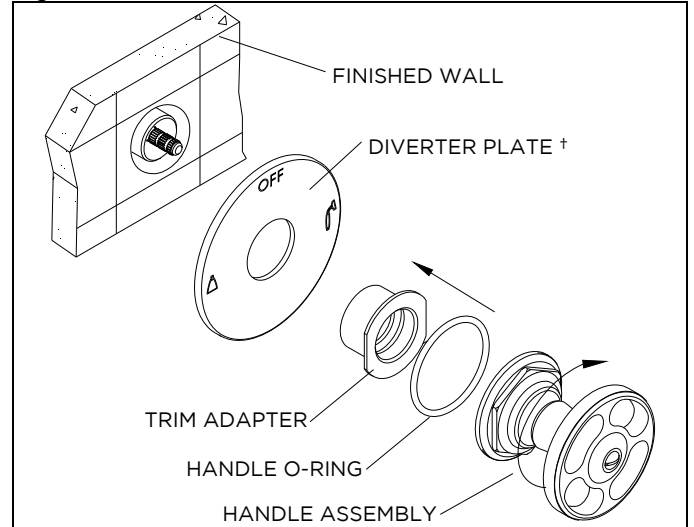
Figure - 03



- See Figure - 04 for steps 9 & 10

- 9. Hold the diverter plate† (SOLD SEPARATELY) up to wall and thread the trim nut onto the threaded sleeve until it stops and secures the plate to the wall.
- 10. Install handle assembly by threading it into the trim adapter, making sure the o-ring is behind the escutcheon. Use the handle's knurled piece to get a good grip.

Figure - 04



- * If required, a 1" stem extension is available.
Style No. 890831
Item No. 29-72873-53591
- † **GUDV14** requires the 2-Way Thermostatic Diverter Valve Trim (Plate Only): **STYLE No.** UNDV00
- † **GUDV23** requires the 2-Way Pressure Balance Diverter Valve Trim (Plate Only): **STYLE No.** UNDV10
- If further assistance is required, please contact Product Support at 1-800-927-2120 (8am-6pm EST).
- See service part document for parts ordering, available on WATERWORKS.COM.

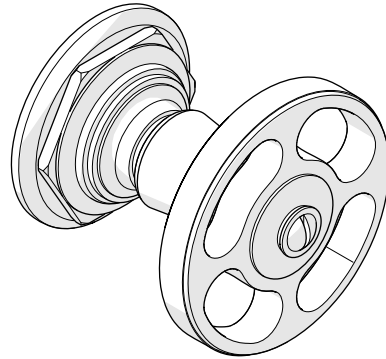
These guidelines have been prepared for the professional contractor to aid in the installation of:
RW ATLAS VOLUME CONTROL VALVE TRIM WITH METAL WHEEL HANDLE (STYLE# RWVC01) & METAL LEVER HANDLE (STYLE# RWVC10)
All dimensions are based on original specification and are subject to change and variation.
Please consult your Design Associate for current specifications.
SEE SERVICE PART DOCUMENT FOR PART ORDERING, AVAILABLE ON WATERWORKS.COM

WATERWORKS



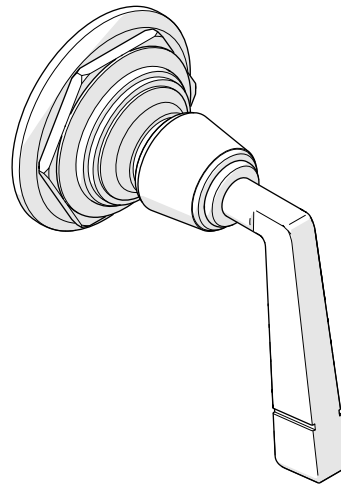
ESTB. 1978

WATERWORKS SERVICE PARTS



STYLE RWVC01

R.W. Atlas Volume Control Valve Trim
with Metal Wheel Handles



STYLE RWVC10

R.W. Atlas Volume Control Valve Trim
with Metal Lever Handles

WELCOME TO

WATERWORKS

For over three decades, Waterworks has transformed the bath through an absolute commitment to design authenticity, innovation and quality. A blend of scholarly appreciation and applied experience guarantees mechanical integrity, meticulous craftsmanship, and timeless designs.

**TO ORDER PARTS CALL
1 (800) 927-2120 (EXT 2)**

Order by part number and specify color, finish, or other options if required.

PRODUCT SUPPORT

Our Product Support team provides troubleshooting and technical problem resolution, including replacement parts and installation recommendations throughout the life of your product.

Product Support is available Monday through Friday, 8AM-6PM EST.

**LIMITED LIFETIME
WARRANTY**

Our warranty covers repair and replacement of Waterworks products if within the applicable coverage period and deemed defective by Waterworks. Waterworks will, at its option, repair or replace such products; this does not include installation costs, labor charges, or other incidental or consequential costs.

To obtain your complete warranty or inquire about warranty service, please visit us at www.waterworks.com or contact our Product Support Team.

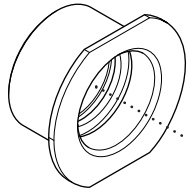


ESTB. 1978

WATERWORKS

MAIN KITS

103688
HANDLE
CONNECTOR

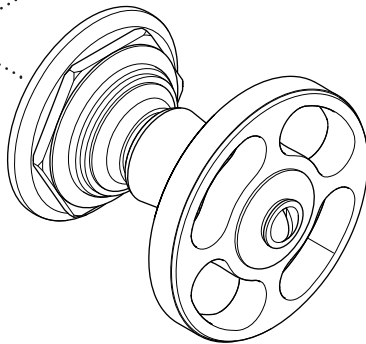


STYLES: RWVC01, RWVC10

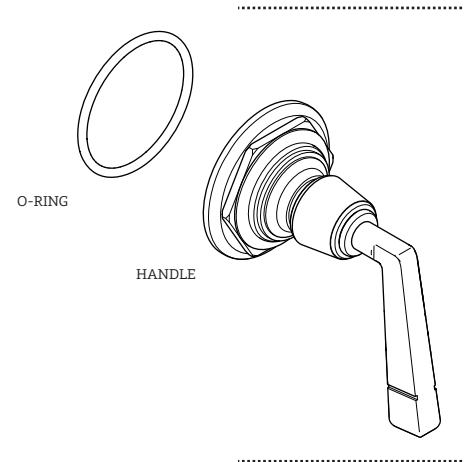
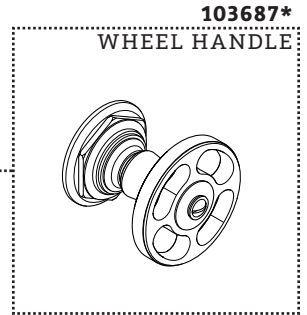
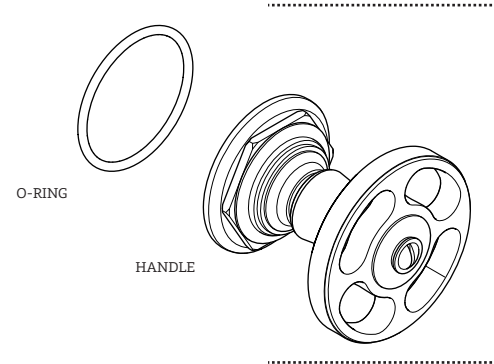
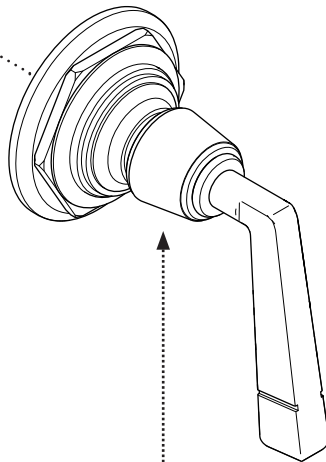
*FINISH/COLOR MUST BE SPECIFIED WHEN ORDERING
++SUPPLIED AS A PAIR

KIT COMPONENTS

103687*
WHEEL HANDLE



103689*
LEVER HANDLE





ESTB. 1978

W A T E R W O R K S

SERVICE PARTS INDEX

<u>STYLE</u>	<u>DESCRIPTION</u>	<u>PG</u>
103688	HANDLE CONNECTOR	2
103689*	LEVER HANDLE	3
103687*	WHEEL HANDLE	3

STYLES: RWVC01, RWVC10

*FINISH/COLOR MUST BE SPECIFIED WHEN ORDERING
++SUPPLIED AS A PAIR

NOTES

DOCUMENT: SPRW07_REV01



ESTB. 1978

WATERWORKS

PRODUCT SUPPORT

60 BACKUS AVENUE
DANBURY, CT 06810

1 (800) 927-2120 (EXT 2)

WWW.WATERWORKS.COM