

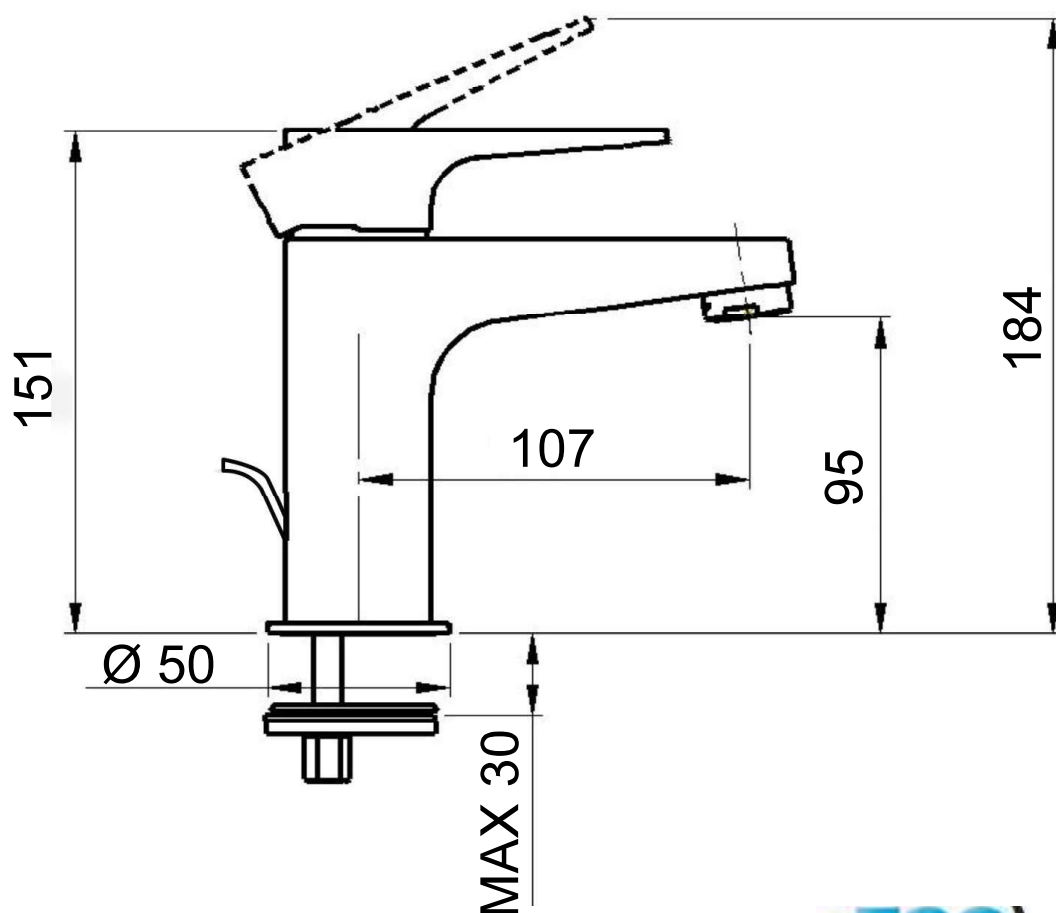


DANIEL

SCHEDA TECNICA TECHNICAL FEATURES

ART. COD.

SRE605LT8



MATERIALI / MATERIALS

OTTONE CROMATO / CHROME PLATED BRASS

CROMATURA / CHROME PLATING

UNI EN 248



8 L / Min.