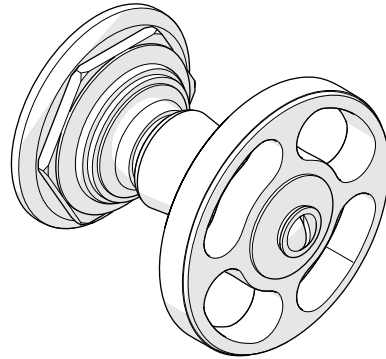




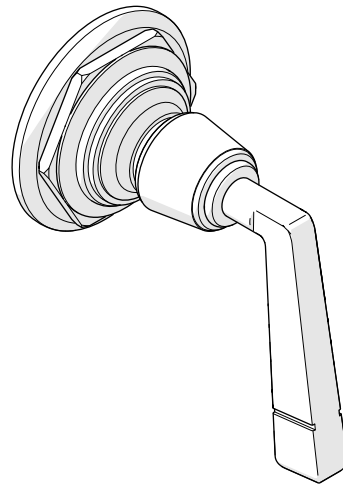
ESTB. 1978

# WATERWORKS SERVICE PARTS



**STYLE RWVC01**

R.W. Atlas Volume Control Valve Trim  
with Metal Wheel Handles



**STYLE RWVC10**

R.W. Atlas Volume Control Valve Trim  
with Metal Lever Handles

---

WELCOME TO

# WATERWORKS

For over three decades, Waterworks has transformed the bath through an absolute commitment to design authenticity, innovation and quality. A blend of scholarly appreciation and applied experience guarantees mechanical integrity, meticulous craftsmanship, and timeless designs.

---

**TO ORDER PARTS CALL  
1 (800) 927-2120 (EXT 2)**

Order by part number and specify color, finish, or other options if required.

**PRODUCT SUPPORT**

Our Product Support team provides troubleshooting and technical problem resolution, including replacement parts and installation recommendations throughout the life of your product.

Product Support is available Monday through Friday, 8AM-6PM EST.

**LIMITED LIFETIME  
WARRANTY**

Our warranty covers repair and replacement of Waterworks products if within the applicable coverage period and deemed defective by Waterworks. Waterworks will, at its option, repair or replace such products; this does not include installation costs, labor charges, or other incidental or consequential costs.

To obtain your complete warranty or inquire about warranty service, please visit us at [www.waterworks.com](http://www.waterworks.com) or contact our Product Support Team.

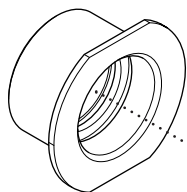


ESTB. 1978

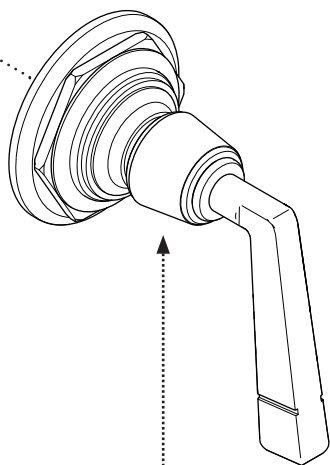
WATERWORKS

### MAIN KITS

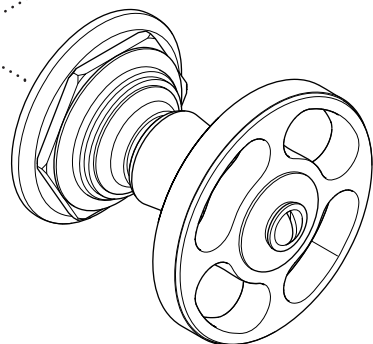
**103688**  
HANDLE  
CONNECTOR



**STYLES: RWVC01, RWVC10**



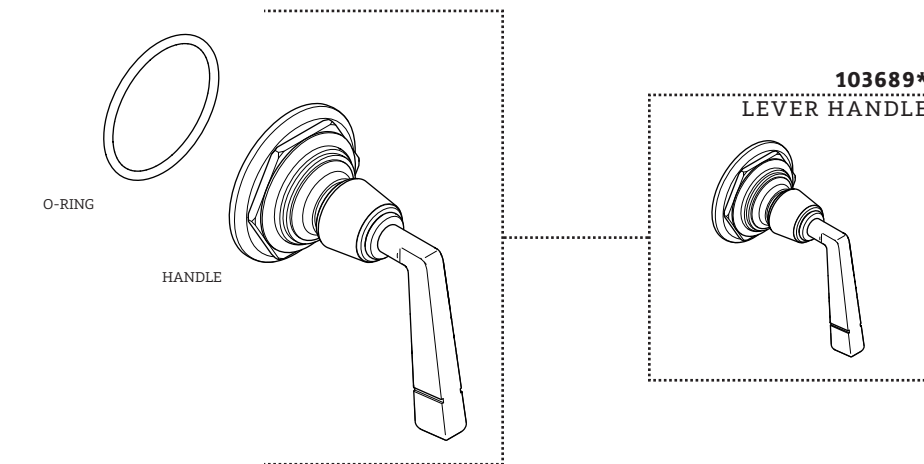
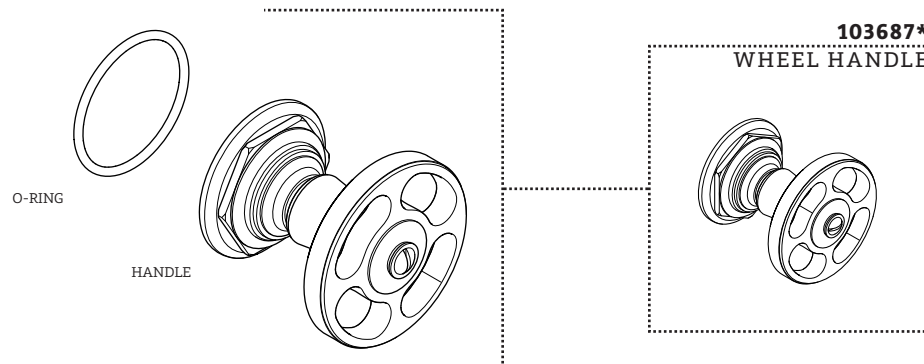
**103687\***  
WHEEL HANDLE



**103689\***  
LEVER HANDLE

\*FINISH/COLOR MUST BE SPECIFIED WHEN ORDERING  
++SUPPLIED AS A PAIR

### KIT COMPONENTS





ESTB. 1978

W A T E R W O R K S

**SERVICE PARTS INDEX**

<u>STYLE</u>	<u>DESCRIPTION</u>	<u>PG</u>
103688	HANDLE CONNECTOR	2
103689*	LEVER HANDLE	3
103687*	WHEEL HANDLE	3

**STYLES: RWVC01, RWVC10**

\*FINISH/COLOR MUST BE SPECIFIED WHEN ORDERING  
++SUPPLIED AS A PAIR

**NOTES**

DOCUMENT: SPRW07\_REV01



ESTB. 1978

WATERWORKS

**PRODUCT SUPPORT**

60 BACKUS AVENUE  
DANBURY, CT 06810

1 (800) 927-2120 (EXT 2)

[WWW.WATERWORKS.COM](http://WWW.WATERWORKS.COM)