

R.W. ATLAS

RWXS10

R.W. Atlas Exposed Thermostatic Valve with Metal Lever Handle



SHOWN IN R.W. ATLAS EXPOSED THERMOSTATIC VALVE WITH METAL LEVER HANDLE | RWXS10

TECHNICAL DETAILS

ADA Compliance: Yes
 Adjustable versus Fixed Spray: Fixed Spray
 Diameter of Head: 8 9/16"
 Escutcheon Primary Material: Brass
 Fittings Hole Diameter: 1"
 Handshower / Spray Hose Length: 59"
 Depth / Width: 7 1/8"
 Height: 9 13/16"
 Inlet Connection Size: 3/4"
 Inlet Connection Type: Copper Compression
 Inlet Supply Spread Maximum: 11 3/4"
 Inlet Supply Spread Minimum: 11 1/2"
 Installation Type: Wall Mounted
 Integrated Diverter: N
 Length: 13 13/16"
 Number of Handles: One
 Pivot: N
 Primary Material: Brass
 Restricted Maximum Flow Rate: 2.5 gpm
 Spray Included in Unit: N
 Suggested Application: Bath
 Valve Material: Bi-metal Strip
 Water Pressure Maximum: 85.0 psi
 Water Pressure Minimum: 20.0 psi
 Water Pressure Recommended: 45.0 psi

INSPIRATION

Powerful shapes, genuine materials and unique aesthetic details. The original, impeccable vision of R.W. Atlas pairs American ingenuity with European craftsmanship.

CODES & STANDARDS

Code # RWXS10: Complies with ASME A112.18.1/CSA B125.1, ADA and 0.25% Weighted Average Lead Content. Certified with IAPMO, cUPC, and State of MA.

PRODUCT FEATURES

Features knurled detail on the handle.
 Maintains concealed piping for shower head and handshower options.
 Offers a temperature limit stop with override button.
 Special Order lead time is 10 - 12 weeks.



PRODUCT (NOTES)

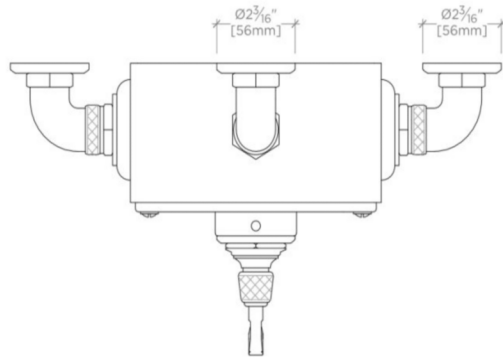
Includes 3/4" Thermostatic Valve and requires a separate volume control valve and trim to operate.

WATERWORKS

R.W. ATLAS

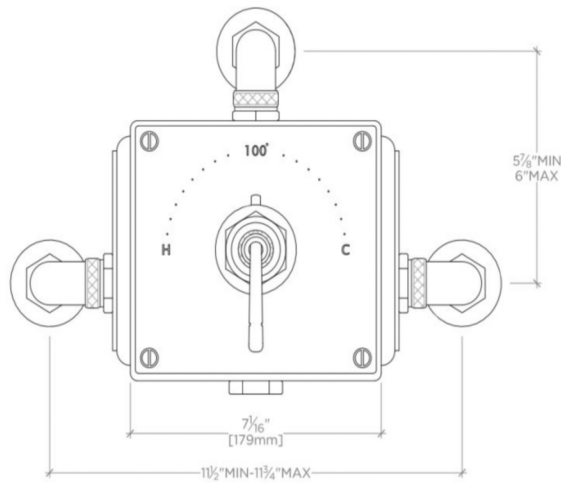
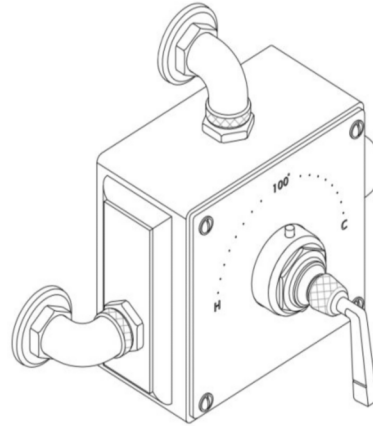
RWXS10

R.W. Atlas Exposed Thermostatic Valve with Metal Lever Handle



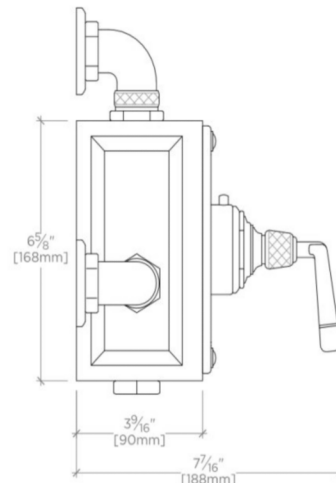
TOP VIEW

SCALE: 3"=1'-0"



FRONT VIEW

SCALE: 3"=1'-0"



SIDE VIEW

SCALE: 3"=1'-0"