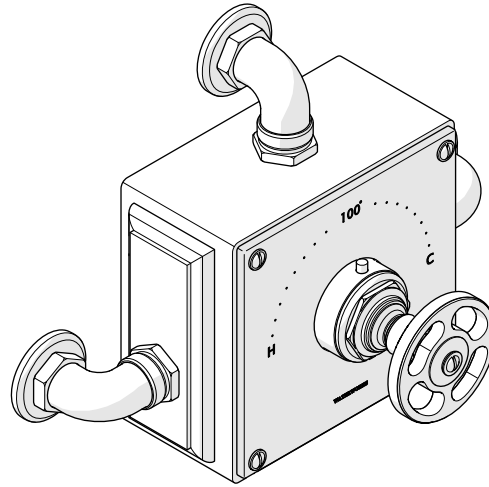




ESTB. 1978

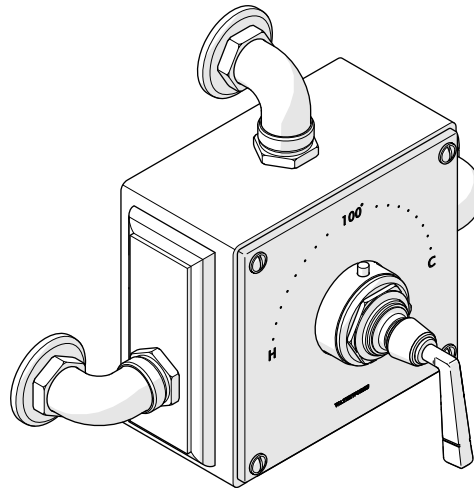
WATERWORKS

SERVICE PARTS



STYLE RWXS01

R.W. Atlas Exposed Thermostatic Valve with Metal Wheel Handles



STYLE RWXS10

R.W. Atlas Exposed Thermostatic Valve with Metal Lever Handles

WELCOME TO

WATERWORKS

For over three decades, Waterworks has transformed the bath through an absolute commitment to design authenticity, innovation and quality. A blend of scholarly appreciation and applied experience guarantees mechanical integrity, meticulous craftsmanship, and timeless designs.

**TO ORDER PARTS CALL
1 (800) 927-2120 (EXT 2)**

Order by part number and specify color, finish, or other options if required.

PRODUCT SUPPORT

Our Product Support team provides troubleshooting and technical problem resolution, including replacement parts and installation recommendations throughout the life of your product.

Product Support is available Monday through Friday, 8AM-6PM EST.

**LIMITED LIFETIME
WARRANTY**

Our warranty covers repair and replacement of Waterworks products if within the applicable coverage period and deemed defective by Waterworks. Waterworks will, at its option, repair or replace such products; this does not include installation costs, labor charges, or other incidental or consequential costs.

To obtain your complete warranty or inquire about warranty service, please visit us at www.waterworks.com or contact our Product Support Team.



ESTB. 1978

WATERWORKS

MAIN KITS

STYLES: RWXS01, RWXS10

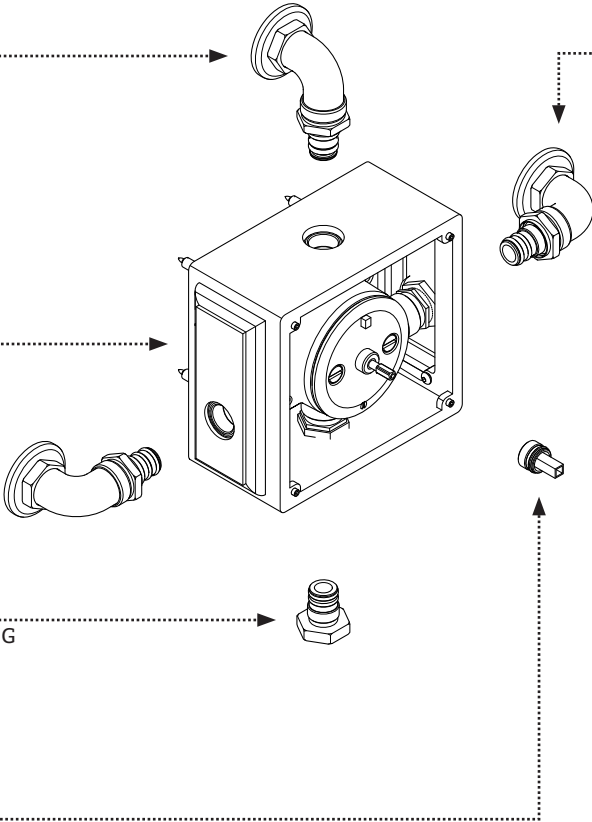
103806*
UNION

103795*
EXPOSED THERMO VALVE

103806*
UNION

103805*
EXPOSED VALVE UNION PLUG

812191
TRIM CONNECTOR



*FINISH/COLOR MUST BE SPECIFIED WHEN ORDERING
++SUPPLIED AS A PAIR

103806*
UNION

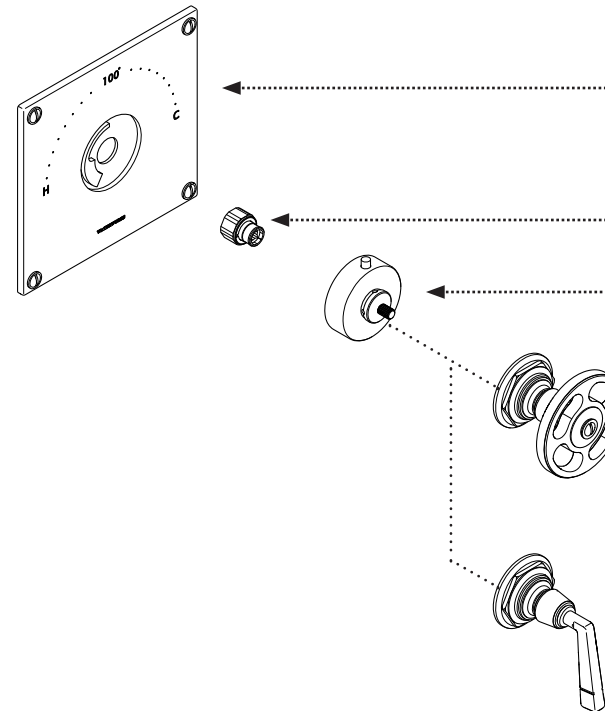
103800*
FACEPLATE TRIM

594565
TRIM NUT

103708*
LIMIT STOP

103799*
WHEEL HANDLE

103804*
LEVER HANDLE





ESTB. 1978

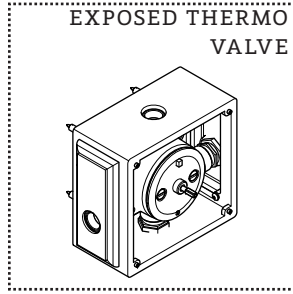
WATERWORKS

KIT COMPONENTS

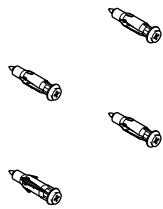
STYLES: RWXS01, RWXS10

103795*

EXPOSED THERMO VALVE



103796
MOUNTING
HARDWARE

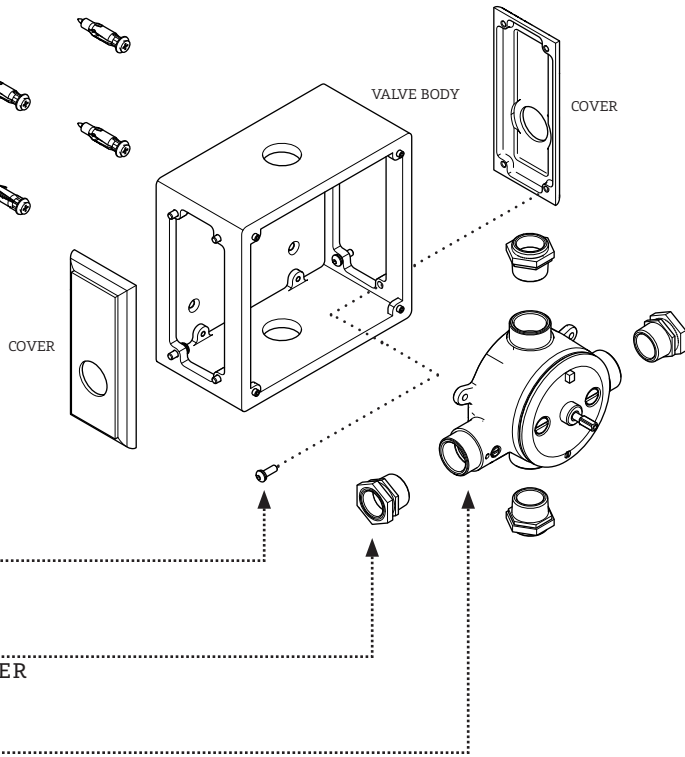


COVER

103803
VALVE BODY SCREW

103802
VALVE BODY ADAPTER

GUTH37
3/4" THERMO ROUGH VALVE

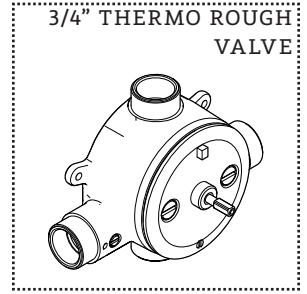


*FINISH/COLOR MUST BE SPECIFIED WHEN ORDERING
++SUPPLIED AS A PAIR

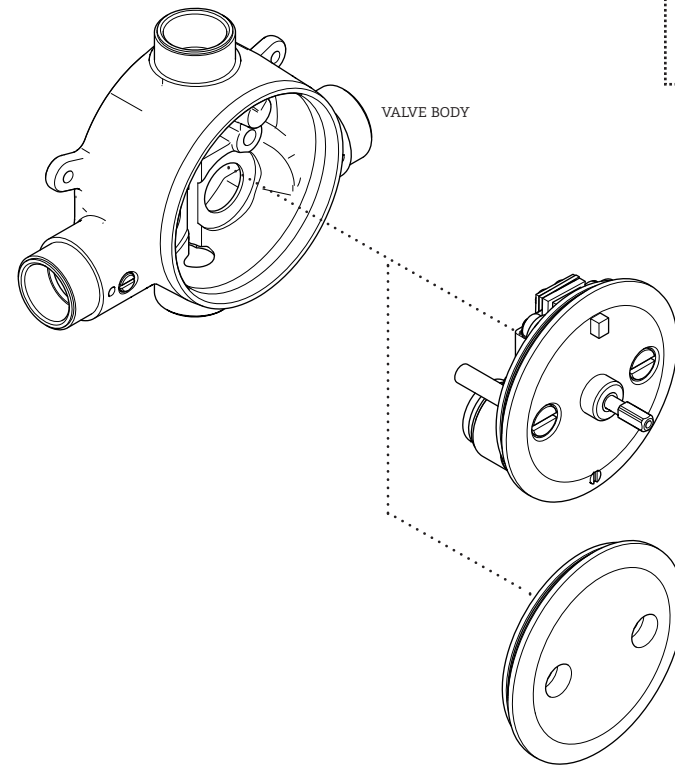
KIT COMPONENTS

GUTH37

3/4" THERMO ROUGH VALVE



VALVE BODY



855191
3/4" THERMO
CARTRIDGE

337012
THERMO FLUSH
COVER PLATE



ESTB. 1978

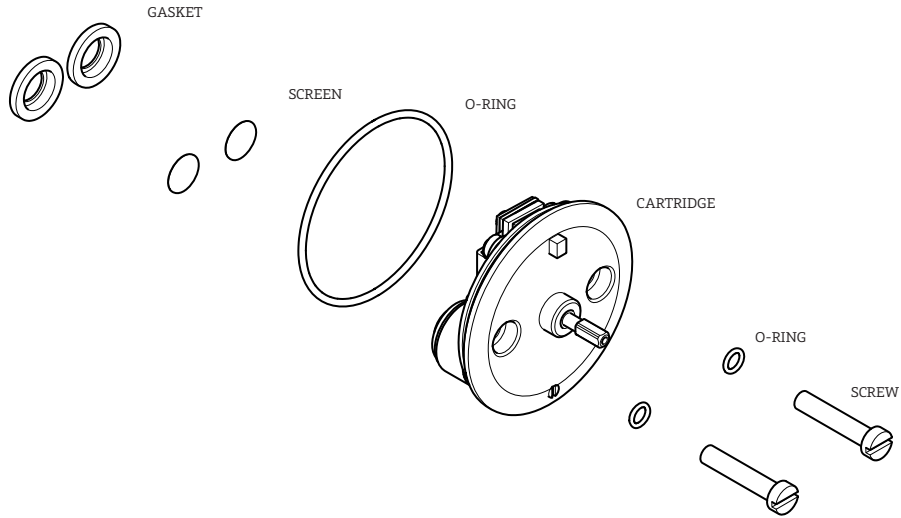
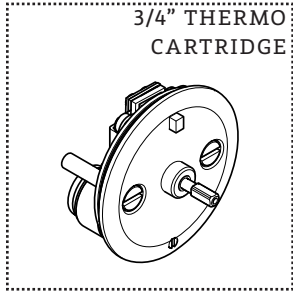
WATERWORKS

KIT COMPONENTS

STYLES: RWXS01, RWXS10

855191

**3/4" THERMO
CARTRIDGE**

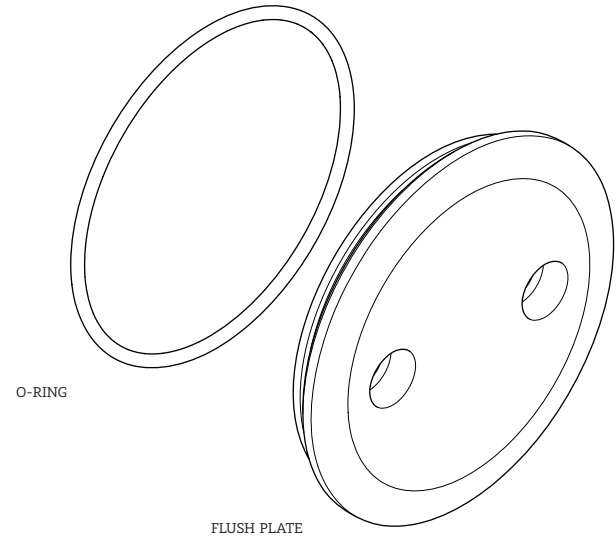
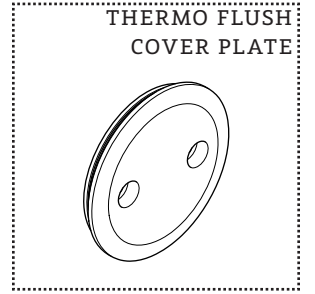


*FINISH/COLOR MUST BE SPECIFIED WHEN ORDERING
++SUPPLIED AS A PAIR

KIT COMPONENTS

337012

**THERMO FLUSH
COVER PLATE**





ESTB. 1978

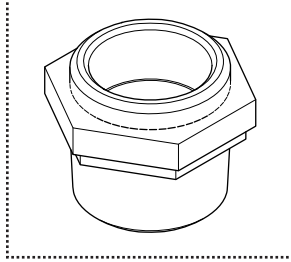
WATERWORKS

KIT COMPONENTS

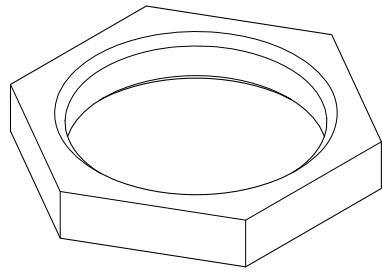
STYLES: RWXS01, RWXS10

103802

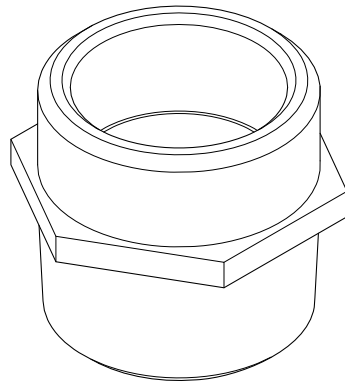
VALVE BODY ADAPTER



NUT



ADAPTER

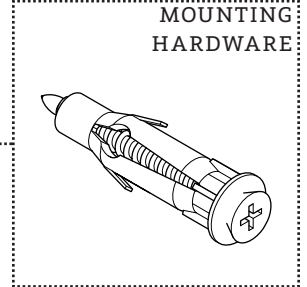


*FINISH/COLOR MUST BE SPECIFIED WHEN ORDERING
++SUPPLIED AS A PAIR

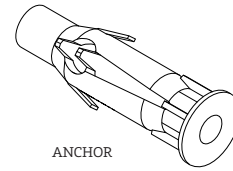
KIT COMPONENTS

103796

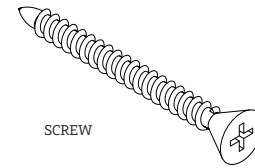
**MOUNTING
HARDWARE**



ANCHOR

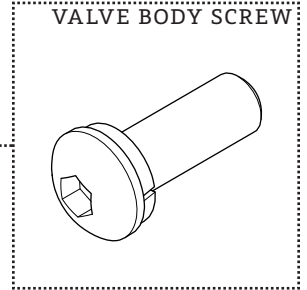


SCREW

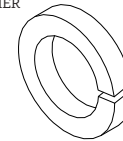


103803

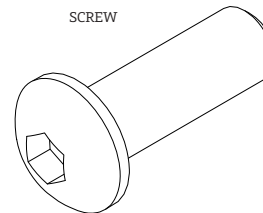
VALVE BODY SCREW



LOCK WASHER



SCREW





ESTB. 1978

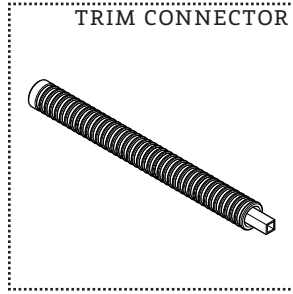
WATERWORKS

KIT COMPONENTS

STYLES: RWXS01, RWXS10

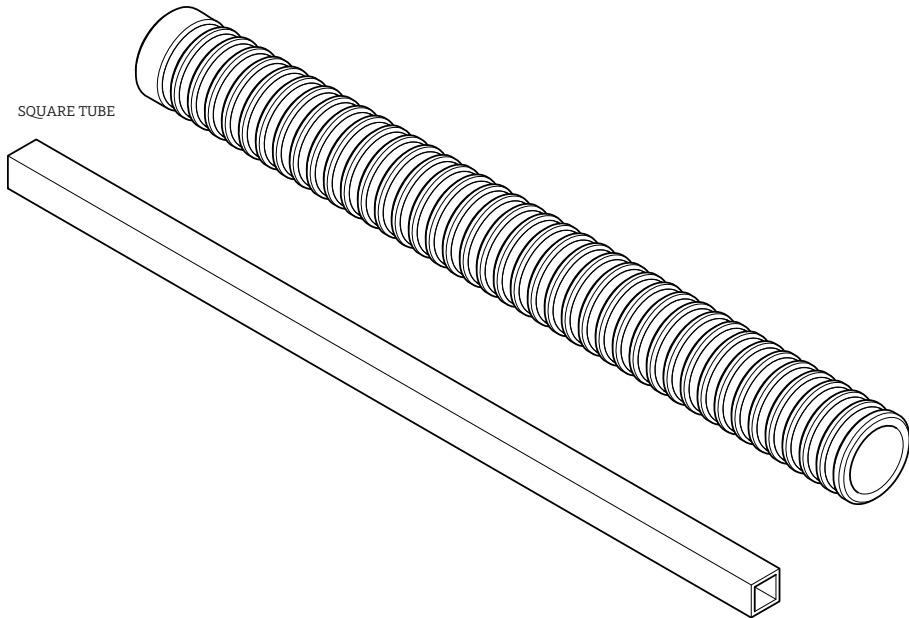
812191

TRIM CONNECTOR



ALL THREAD TUBE

SQUARE TUBE

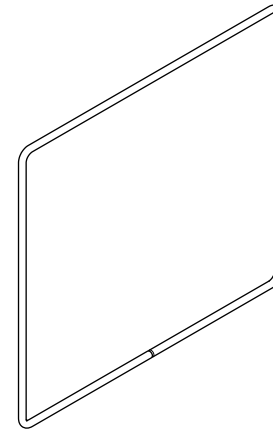
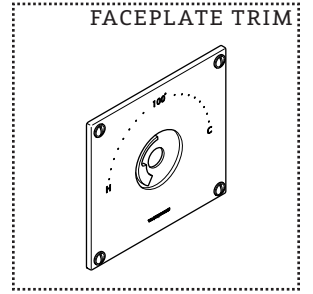


*FINISH/COLOR MUST BE SPECIFIED WHEN ORDERING
++SUPPLIED AS A PAIR

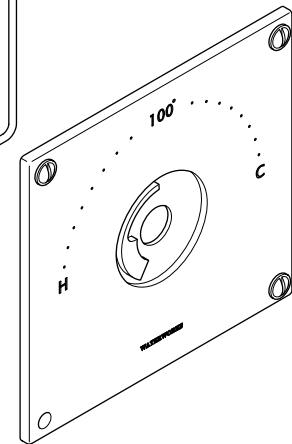
KIT COMPONENTS

103800*

FACEPLATE TRIM



GASKET



TRIM PLATE



103710*

TRIM SCREW

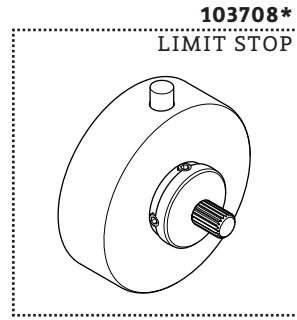


ESTB. 1978

WATERWORKS

KIT COMPONENTS

STYLES: RWXS01, RWXS10

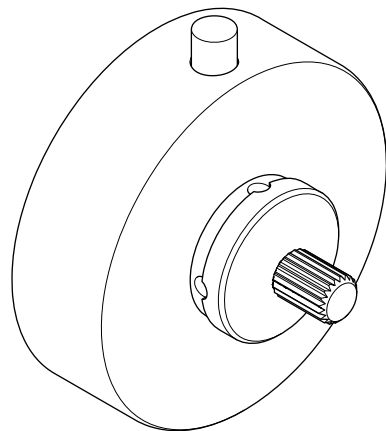


103708*

LIMIT STOP



SET SCREW



LIMIT STOP

SET SCREW



SET SCREW



103746
FASTENING SET SCREW

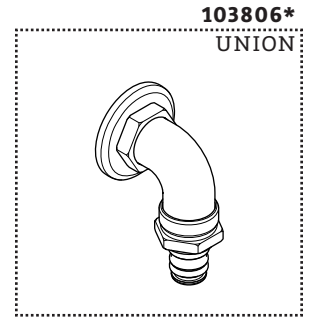
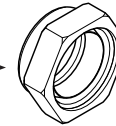
*FINISH/COLOR MUST BE SPECIFIED WHEN ORDERING
++SUPPLIED AS A PAIR

KIT COMPONENTS

103807*
ESCUTCHEON

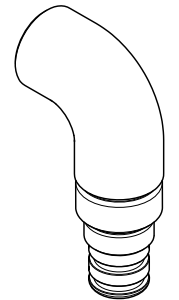


103685*
UNION SEAL

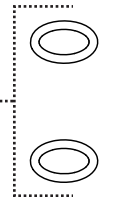


103806*

UNION



ELBOW



O-RING

O-RING

104261
SEAL KIT



KNURLED
COLLAR

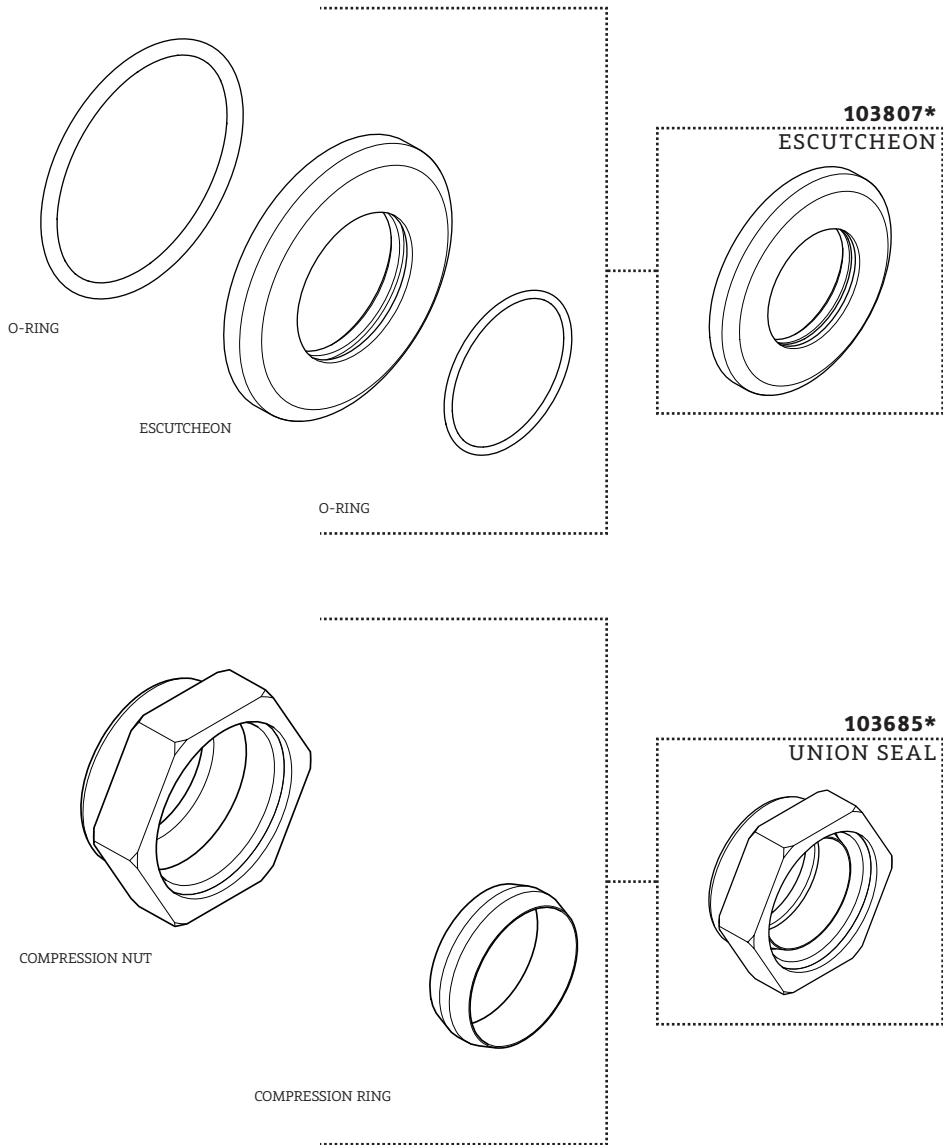


ESTB. 1978

WATERWORKS

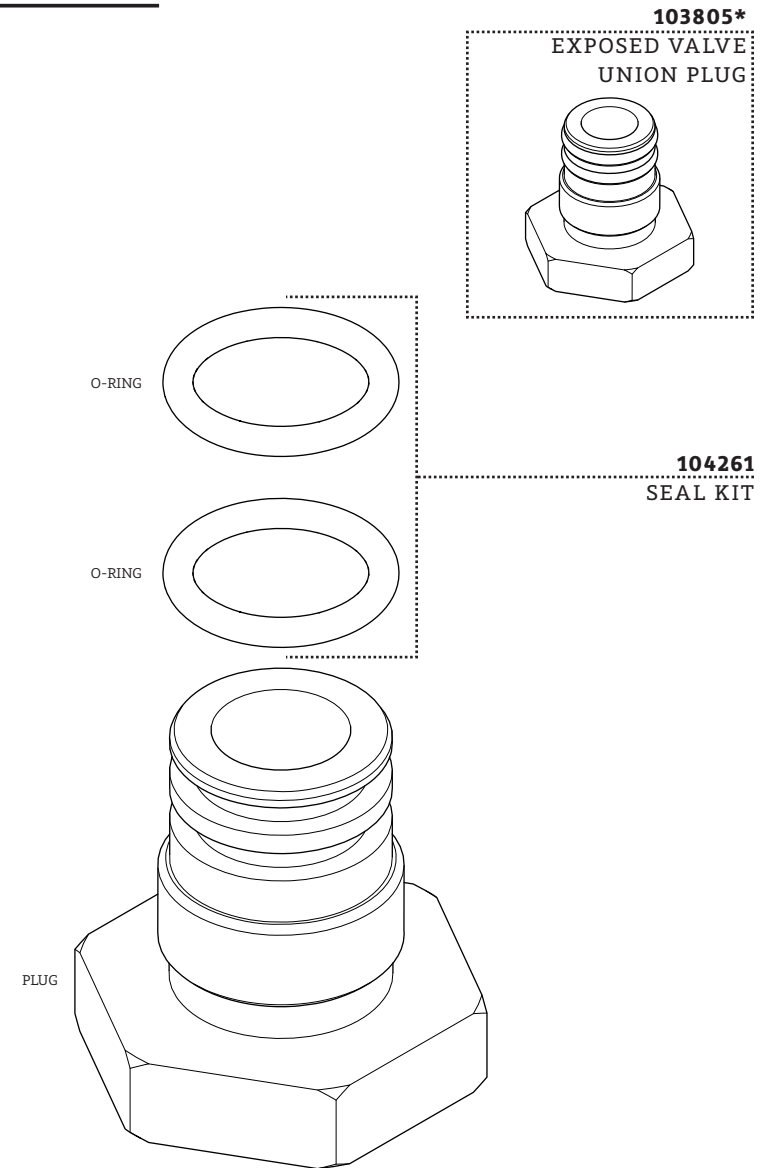
KIT COMPONENTS

STYLES: RWXS01, RWXS10



*FINISH/COLOR MUST BE SPECIFIED WHEN ORDERING
++SUPPLIED AS A PAIR

KIT COMPONENTS





ESTB. 1978

W A T E R W O R K S

SERVICE PARTS INDEX

<u>STYLE</u>	<u>DESCRIPTION</u>	<u>PG</u>
855191	3/4" THERMO CARTRIDGE	6
GUTH37	3/4" THERMO ROUGH VALVE	5
103807*	ESCUTCHEON	14
103795*	EXPOSED THERMO VALVE	4
103805*	EXPOSED VALVE UNION PLUG	15
103800*	FACEPLATE TRIM	11
103746	FASTENING SET SCREW	12
103804*	LEVER HANDLE	3
103708*	LIMIT STOP	12
103796	MOUNTING HARDWARE	9
104261	SEAL KIT	15
337012	THERMO FLUSH COVER PLATE	7
812191	TRIM CONNECTOR	10
594565	TRIM NUT	3
103710*	TRIM SCREW	11
103806*	UNION	13
103685*	UNION SEAL	14
103802	VALVE BODY ADAPTER	8
103803	VALVE BODY SCREW	9
103799*	WHEEL HANDLE	3

DOCUMENT: SPRW10_REV01

*FINISH/COLOR MUST BE SPECIFIED WHEN ORDERING
++SUPPLIED AS A PAIR

NOTES



ESTB. 1978

WATERWORKS

PRODUCT SUPPORT

60 BACKUS AVENUE
DANBURY, CT 06810

1 (800) 927-2120 (EXT 2)

WWW.WATERWORKS.COM