

Sink Elettra 5197 06x

Sinks

Code: 5197 06x

Code: 5197 061 DX (Vasca a destra)

Code: 5197 062 SX (Vasca a sinistra)



DETAILS

Finish Foster brushed

Material AISI 304 stainless steel

Texture Foster brushed

Base 60 cm

Edge/Installation Type Standard (8 mm Edge)

Dimensions 970x500 mm

Standard fittings Fixing hooks, gasket, drain, overflow and siphon, boxed packing

Mixer holes 1 standard hole - 2nd and 3rd on request

Built-in hole 950x480 mm

Drainer Yes

Width 97 cm

Bowl dimension 341x400 + 150x300 mm

Number of bowls 2 bowls

Waste fitting 3,5" drain

FEATURES

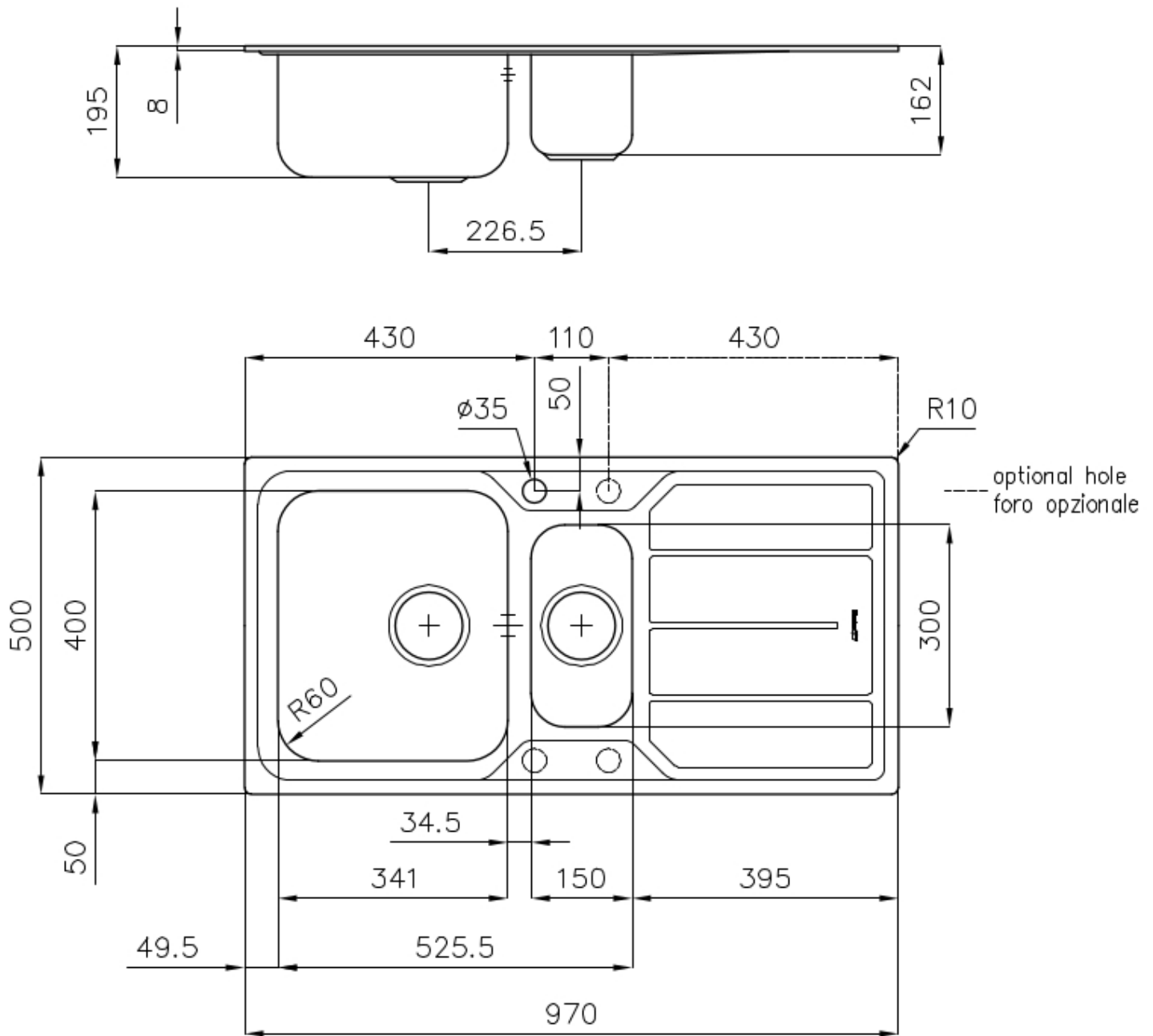
2nd / 3rd hole available The sink can be customized with the execution on request of additional holes, usable for double-hole mixers, for remote controlled drains or for the installation of soap dispensers. The positions are marked on the drawings with dotted line holes.

Added value Foster uses steel thicknesses higher than those used on average by other manufacturers. This is how, thanks to our long experience, we know how to make sinks of superior quality and with a better resistance to aging.

Basket 3,5" waste fitting The drain is equipped with a large 3.5" drain, with the practical basket cap that prevents the discharge of solid parts. The 3.5 "drain allows the use of the Foster waste-disposer, compatible with all models.

Sliding brackets

TECHNICAL DATA



OPTIONAL ACCESSORIES



Glass chopping board 8631 300



HPDE Chopping board 8657 001



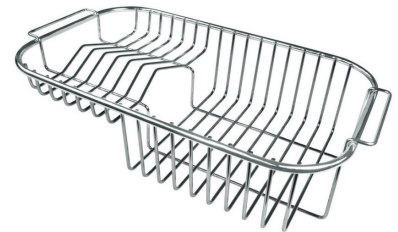
Iroko-wood chopping board 8647 000



Iroko-wood sliding chopping board 8643 000



Stainless steel basket 8611 000



Stainless steel plate rack 8100 301



White bowl 8153 100



White colander 8151 100

RECOMMENDED PAIRINGS



Mixer Tap F2000 - Basso 8459 000



Mixer Tap Luisa 8482 000

OPTIONAL AUTOMATIC WASTE FITTINGS



Automatic waste fitting 8407 000



Automatic waste fitting 8407 100



LIRA automatic waste fitting 8407 103