



Name: MEI OVAL - 02

Design: Joana Bover / 2007

Typology: Wall lamp

Environment: Indoor

Technical description:

Wall sconce releasing warm diffused light through oval lamp shade available in white, cream, or black translucent hand wrapped polyester blend ribbon, or classic white cotton. Brass structure mounted on iron back plate is available in various finishes: satin nickel, brilliant chrome, dark leather with nickel trim, caramel leather with nickel trim, or chrome black glass. Upper glass diffuser is only compatible with ECO-Classic lighting; not suitable for compact bulb lighting, due to their extended length. Available in larger format. Additional upper diffusers are available for order.

Lamps description

 Earthing: excluded

 Ready for mounting on normally flammable surface.

 1 x 42 W Classic P ECO E-27

 1 x 11 W E-27
Duluxstar mini twist

Voltage: 230V~50Hz

 1 Box 56 x 56 x 25 cm

Vol.: 0,0784 m³

Weight: 3 kg

Certifications:  

Ref Finishings

1125005 Satin nickel

1125006 Brilliant chrome

1125060 Nickel dark leather

1125061 Nickel caramel leather

1125017 Chrome black glass

Oval lampshade 41 x 17,5 x 15 cm

Shade with upper diffuser can only go with incandescent bulbs. NOT suitable with compact bulbs.

P-551 White translucent ribboned

P-552 Cream translucent ribboned

P-553 Black translucent ribboned

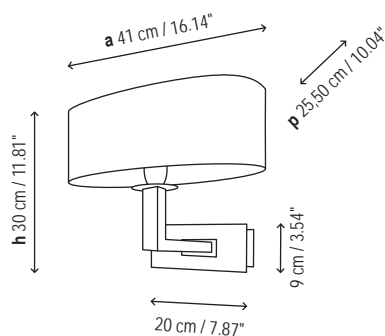
P-554 White cotton

Standard shade does not include the black glass diffuser. See Mei Oval mesa shade for reference.

Customizable



Measures



Project information

Project name: _____

Approved by: _____

Fixture type: _____

Date: _____

Location: _____

Prepared by: _____

Comments: _____

Prepared for: _____

Photometrics