



# IB RUBINETTI

Collection

## HERMES

Article

## HR851

Description

### Shower column



Box Dimensions

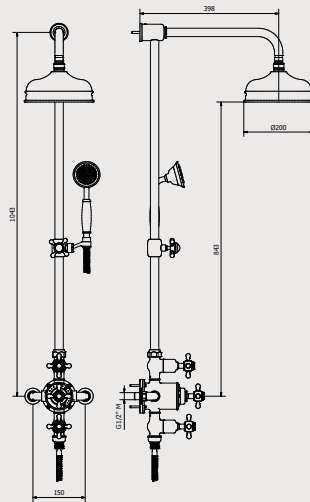
**685 x 345 x 168 mm**

Weight

Finishes

- CC** CHROME
- CF** BLACK CHROME
- BG** GLOSSY WHITE
- NG** GLOSSY BLACK
- SS** BRUSHED NICKEL
- CS** BRUSHED BLACK CHROME
- BO** MATT WHITE
- NP** MATT BLACK
- OO** GOLD
- BB** ANTIQUE BRONZE
- II** PALE GOLD
- RR** ANTIQUE COPPER
- ORS** ROSE GOLD
- ON** NATURAL BRASS
- IS** BRUSHED PALE GOLD
- HH** PVD CHOCOLATE

Dimensions



Cartridge

**IB Termostatic Ceramics Cartridge**

Treaded fitting

**Treaded fitting G1/2" male**

Aerator

Flow Rate (+/-10%)

**1 BAR**  
26 l/min

**2 BAR**  
36 l/min

**3 BAR**  
46 l/min

Production

**Main body is a single casted pieces**

Material

**BRASS**  
According to CuZn35Pb2Al-B (CB752S)  
Max Lead content: 1.36%

IB RUBINETTERIE s.p.a  
via dei Pianotti 3/5  
25068 Sarezzo (BS) - Italy -

T. +39 030 802101  
F. +39 030 803097  
info@ibrubINETTERIE.it

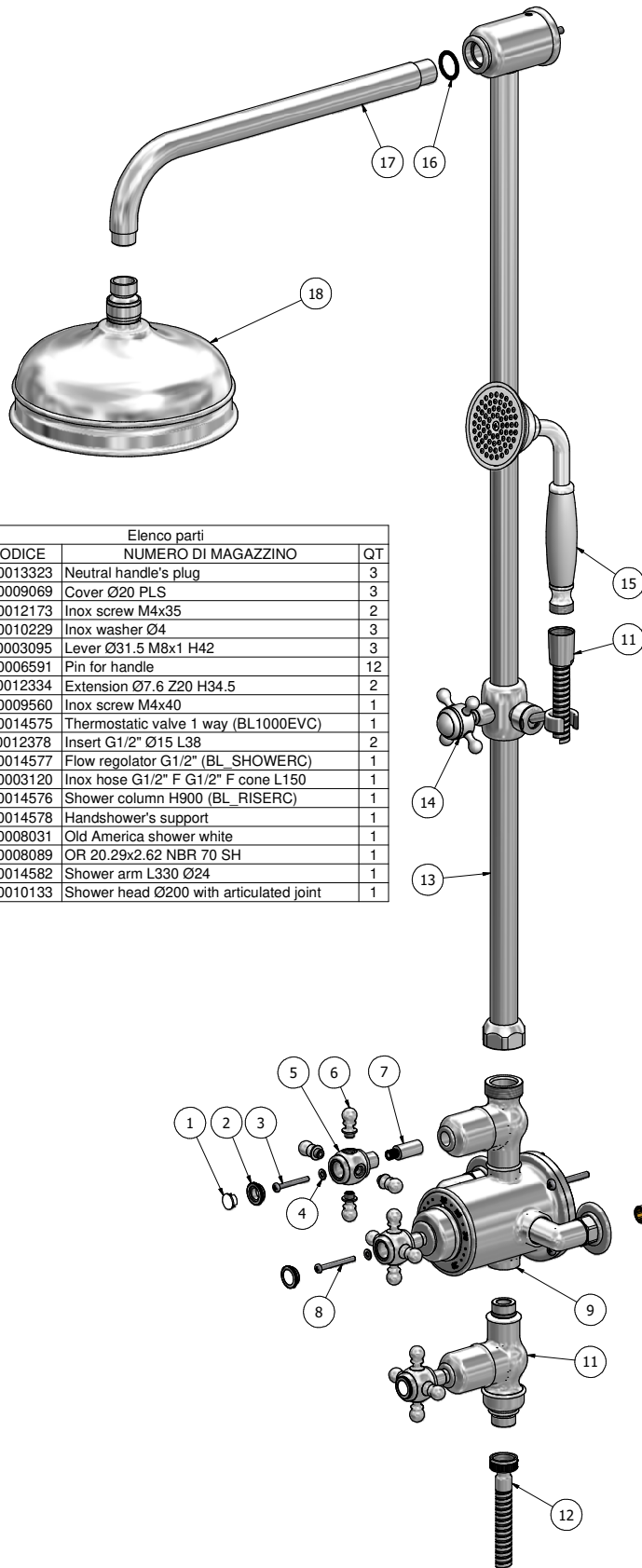
P.IVA 01785230986  
capitale sociale  
€420.000,00 i.v.

WWW.IBRUBINETTI.IT





# IB RUBINETTI



Elenco parti			
EL	CODICE	NUMERO DI MAGAZZINO	QT
1	AQ0013323	Neutral handle's plug	3
2	AQ0009069	Cover Ø20 PLS	3
3	AQ0012173	Inox screw M4x35	2
4	AQ0010229	Inox washer Ø4	3
5	AC0003095	Lever Ø31.5 M8x1 H42	3
6	AQ0006591	Pin for handle	12
7	AC0012334	Extension Ø7.6 Z20 H34.5	2
8	AQ0009560	Inox screw M4x40	1
9	AQ0014575	Thermostatic valve 1 way (BL1000EVC)	1
10	AS0012378	Insert G1/2" Ø15 L38	2
11	AQ0014577	Flow regulator G1/2" (BL_SHOWERC)	1
12	AQ0003120	Inox hose G1/2" F G1/2" F cone L150	1
13	AQ0014576	Shower column H900 (BL_RISERC)	1
14	AQ0014578	Handshower's support	1
15	AQ0008031	Old America shower white	1
16	AQ0008089	OR 20.29x2.62 NBR 70 SH	1
17	AQ0014582	Shower arm L330 Ø24	1
18	AQ0010133	Shower head Ø200 with articulated joint	1

**WARRANTY**

All IB Rubinetterie SpA products are warranted for 10 years from the date of purchase, for the following cases:

- Defects of casting, porosity and chrome plating.
- Operating defects caused by incorrect fabrication.

The warranty provides for repair or replacement of products with fabrication defects recognized by our technical office. There is no other type of compensation anche the merchandise must be returned FOB our warehouse. The warranty only cover surface defects (scatches, dings, etc.) on fitting that have not been installed and used, returned in its original packaging with all components. O-ring, gasket seals and components subject to wear proportional to use are warranted for 2 years.

**The warranty is void in the following cases:**

Error installing and putting the product into service.

Deterioration of finisched surfaces due to use of cleaning products containing acids or abrasive substances. Deterioration of surface with finishes other than chrome plating. Their durability is, in fact, dependent on the user's care and gentleness of use.

Deterioration of the fitting due incorrect installation.

Improper repairs and maintenance performed without the company's prior authorization.

The warranty from IB Rubinetterie SpA is not renewable.

**Cleaning**

We recommended cleaning the finish surfaces with water and soap, using a soft cloth.

Do not use detergents that cointain hydrochloric acid or abrasive substances.

