

# ROCKWELL WALL MOUNTED BASIN TAPS WITH 130MM TUBULAR SPOUT

Rockwell wall mounted basin taps with 130mm tubular spout. The crossheads are available in either all metal or Rockwell coloured ceramic: lilac/Bonbon, orange/Squash, matt black/Graphite, gloss black/Ink, white/Snowdrop, grey/Seattle, green/Willow, blue/Powder, yellow/Sherbet, red/Lipstick and pale pink/Conch. Other colours are available. We also offer a colour matching service. Please contact the office for further information.  
Made in England.

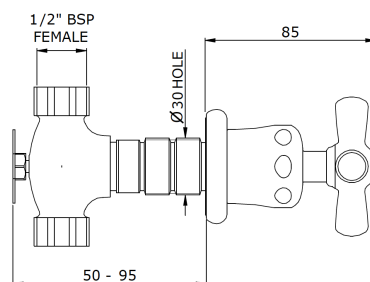
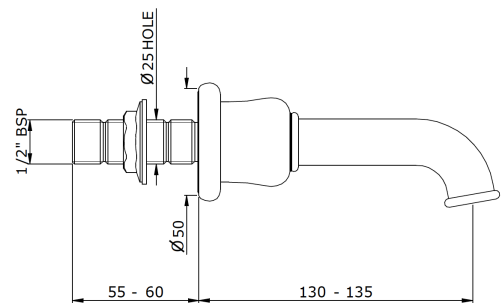
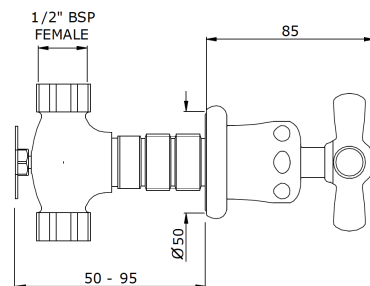


## Technical Details

Valve rough-in depth maximum: 95mm  
Valve rough-in depth minimum: 50mm  
Primary material: brass  
Valve fittings hole diameter: 30mm  
Spout fittings hole diameter: 25mm  
Handle turn angle: 1/4 turn  
Spout length: 130-135mm  
Spout inlet connection size: 1/2" BSP  
Spout inlet connection type: male  
Valve inlet connection size: 1/2" BSP  
Valve inlet connection type: female  
Installation type: wall mounted  
Number of handles: 2  
Number of holes: 3  
Spout swivel: no  
Suggested application: basin

## Product Notes

All dimensions are based on original specifications and are subject to change and variation.



THE  
WATER/  
MONOPOLY