

Cooker hob KE 7602 032

Cooker hobs

Code: 7602 032



DETAILS

Supply 220-240 V; 50.60 Hz

Edge/Installation Type Standard (8 mm Edge)

Dimensions 790x500 mm

Base size 79cm

Heating element Five burners

Built-in hole 750x480 mm

Grids Cast iron grids and enamelled burner covers

Material/Finish Foster-brushed finish AISI 304 stainless steel

Total power 9.500 W

Auxiliary 2x1.100 W

Semirapid 2x1.750 W

Triple crown 3.800 W

Safety Safety valve with quick-acting thermocouple

Ignition Electric ignition under knob

Gas type Tested for installation with natural gas, LPG nozzle set included.

Type Gas Hob

FEATURES

Cast iron grids Cast-iron is the ideal material for an hob grid, this due to the manifold properties characterising it: high heat capacity that improves cooking performance; high weight and stability that improve safety; sturdiness that preserves the hob's original aspect over time; easy cleaning.

III series burners III ^ series burners: 20% gas savings. They guarantee an efficiency well above the European standards. Furthermore, the improved combustion of gas allows the development of higher powers. From the point of view of safety, the blocking system between the cover and the flame-spreader guarantees perfect positioning and greater ease of cleaning.

Inclined recess A deep and inclined recess houses the burners and grigs, allowing to create a single work surface. The inclination also makes it extremely easy to clean the edges.

Safe cooking All Foster cooker hobs are equipped with safety valves. They shut off the gas supply very quickly if the flame accidentally goes out.

Special burners Many Foster hobs are equipped with special burners, with two or three rings of fire that greatly increase the power delivered and the heated surface. In the DUAL models the two fire crowns also have independent ignition, making these burners perfect for both intensive and delicate cooking.

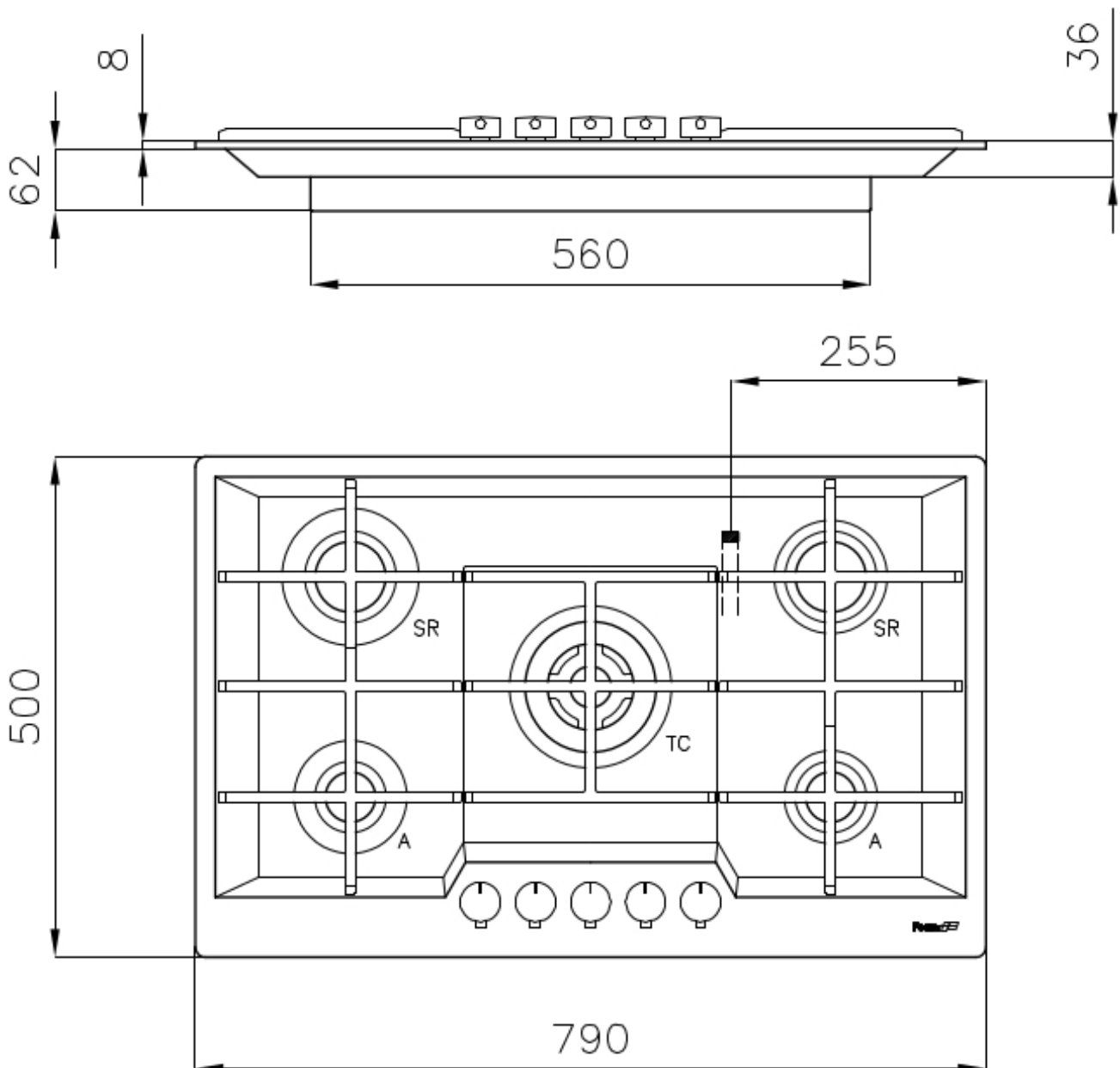
Ultra-flat hob

Design meets functionality in the the ultra-flat models. Elegant grids that form a generously sized overall surface.

Under-knob ignition

The utmost freedom of movement with electronic under-knob ignition, a common feature of all models that allows a one-hand ignition of the burner.

TECHNICAL DATA



OPTIONAL ACCESSORIES



Cast iron wok support 9601 727

RECOMMENDED PAIRINGS



Hood Amélie 2447 090



Sink KE Filotop 2269 050