

## R.W. ATLAS

RWXS71

R.W. Atlas Exposed Thermostatic System with Handshower, Diverter and Lever Handle



SHOWN IN R.W. ATLAS EXPOSED THERMOSTATIC SYSTEM WITH HANDSHOWER, DIVERTER AND LEVER HANDLE| RWXS71

### TECHNICAL DETAILS

Adjustable versus Fixed Spray: Fixed Spray  
Diameter of Head: 8 9/16"  
Escutcheon Primary Material: Brass  
Fittings Hole Diameter: 1"  
Flow Restriction Options: 2.5, 2.0, 1.75, 1.5, 0.92  
Depth / Width: 29 5/16"  
Height: 79 1/16"  
Inlet Connection Size: 3/4"  
Inlet Connection Type: Copper Compression  
Inlet Supply Spread Maximum: 11 3/4"  
Inlet Supply Spread Minimum: 11 1/2"  
Installation Type: Wall Mounted  
Integrated Diverter: Y  
Integrated Spray: N  
Number of Handles: Two  
Primary Material: Brass  
Suggested Application: Bath  
Valve Material: Bi-metal Strip  
Water Pressure Maximum: 85.0 psi  
Water Pressure Minimum: 20.0 psi  
Water Pressure Recommended: 45.0 psi

### INSPIRATION

Powerful shapes, genuine materials and unique aesthetic details. The original, impeccable vision of R.W. Atlas pairs American ingenuity with European craftsmanship.

### PRODUCT FEATURES

Features a flat round 8" shower head

Exposed slotted screws around shower head offer added design detail.

Built in Anti-scald protection.

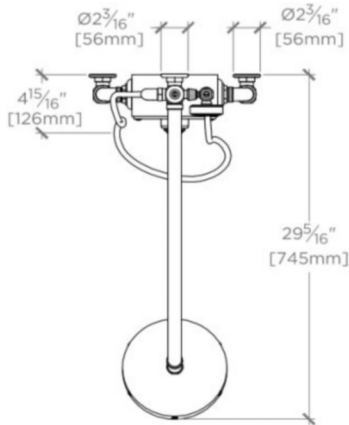
Stocked in 2.5gpm (9.5 L/min) and 1.75gpm (6.6 L/min). State of California requires 1.75gpm (6.6 L/min) to comply with their water conservation requirements. Other flow options are available to order, contact your sales associate or call 1 (800) 899-6757 for details.

# WATERWORKS

## R.W. ATLAS

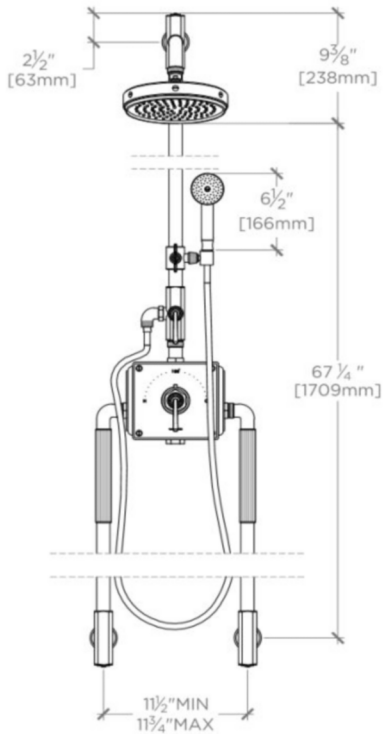
RWXS71

R.W. Atlas Exposed Thermostatic System with Handshower, Diverter and Lever Handle



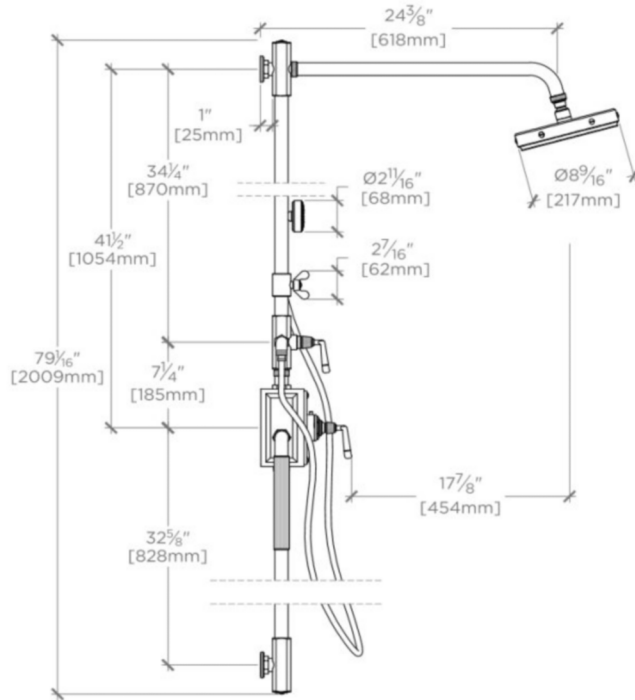
TOP VIEW

SCALE: 3/4"=1'-0"



FRONT VIEW

SCALE: 3/4"=1'-0"



SIDE VIEW

SCALE: 3/4"=1'-0"