

## Sink Big Bowl 1561 40x

Sinks

Code: 1561 40x

Code: 1561 401 DX (Sink on the right)

Code: 1561 402 SX (Sink on the left)



### DETAILS

Finish Foster brushed

---

Material AISI 304 stainless steel

---

Texture Microfoster

---

Base 60 cm

---

Edge/Installation Type Standard (8 mm Edge)

---

Dimensions 860x500 mm

---

Standard fittings Fixing hooks, gasket, drain, overflow and siphon, boxed packing

---

Mixer holes 1 standard hole - 2nd hole on request

---

Built-in hole 840x480 mm

---

Drainer Yes

---

Width 86 cm

---

Bowl dimension 450x400mm

---

Number of bowls 1 bowl

---

Waste fitting 3,5" drain

---

## FEATURES

**2nd / 3rd hole available** The sink can be customized with the execution on request of additional holes, usable for double-hole mixers, for remote controlled drains or for the installation of soap dispensers. The positions are marked on the drawings with dotted line holes.

---

**Added value** Foster uses steel thicknesses higher than those used on average by other manufacturers. This is how, thanks to our long experience, we know how to make sinks of superior quality and with a better resistance to aging.

---

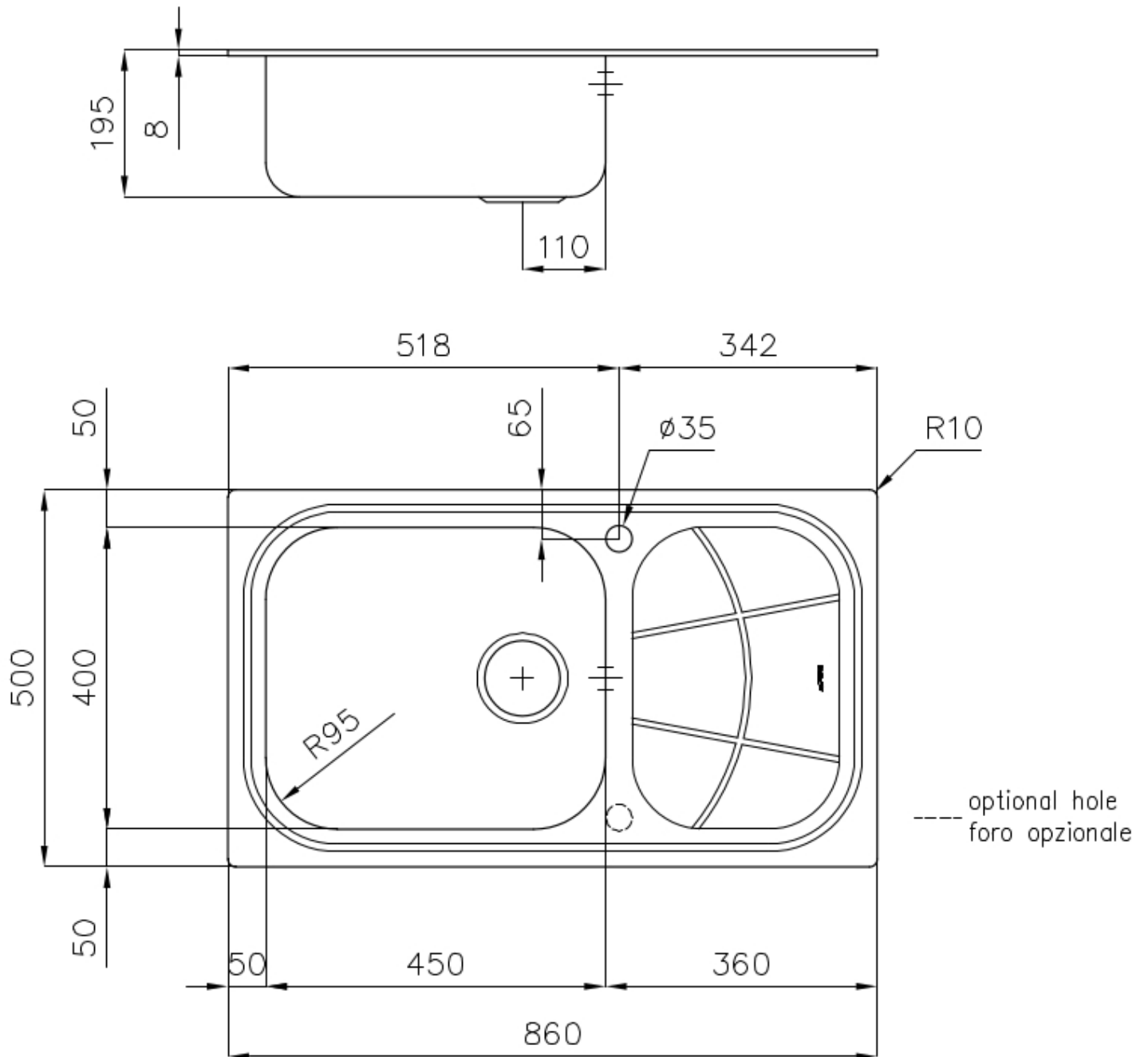
**Basket 3,5" waste fitting** The drain is equipped with a large 3.5" drain, with the practical basket cap that prevents the discharge of solid parts. The 3.5 "drain allows the use of the Foster waste-disposer, compatible with all models.

---

**Sliding brackets**

---

## TECHNICAL DATA



## OPTIONAL ACCESSORIES



Cestello inox 8612 000



Glass chopping board 8631 300



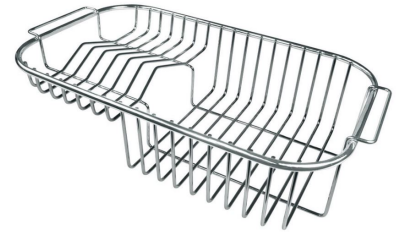
HPDE Chopping board 8657 001



Iroko-wood chopping board 8655 000



Iroko-wood sliding chopping board 8643 000



Stainless steel plate rack 8100 301

## RECOMMENDED PAIRINGS



Mixer Tap Delta 8441 000



Mixer Tap Luisa 8482 000

## OPTIONAL AUTOMATIC WASTE FITTINGS



Automatic waste fitting 8407 000



Automatic waste fitting 8407 100



LIRA automatic waste fitting  
8407 102



LIRA automatic waste fitting  
8407 103