

E75388



Collection: MODULO

Finish*:



CP - Chrome

Main features:



Features

- DIMENSIONS: 23 x 19.10 x 15 cm
- MATERIAL: Metal
- Operates with all types of water heaters, minimum capacity 18 kW

- WEIGHT: 3 kg
- INSTALLATION TYPE: Built-in

Consumer benefits

- SAFETY: Push-in stop at 38°C. Maximum temperature 50°C
- ERGONOMICS: Ergonomic handles and blue/red marks
- FINISH: Chrome - 10-year warranty
- MECHANISM: 5-year warranty

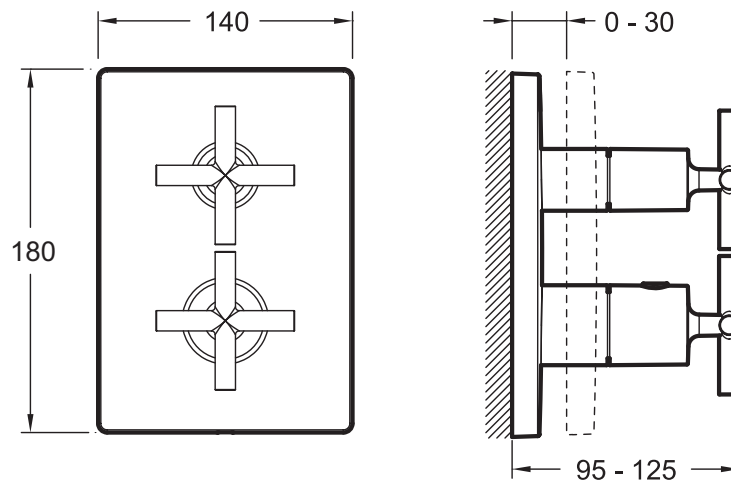
Installation benefits

- Operates with any water heater of at least 18 kW

Required products

- 98699D: Universal recessed box

Technical drawing



Product Specification: Thermostatic mixer with stop valve - Classic handles. E75388. Collection: MODULO. DIMENSIONS: 23 x 19.10 x 15 cm. WEIGHT: 3 kg. MATERIAL: Metal. INSTALLATION TYPE: Built-in. Operates with all types of water heaters, minimum capacity 18 kW.