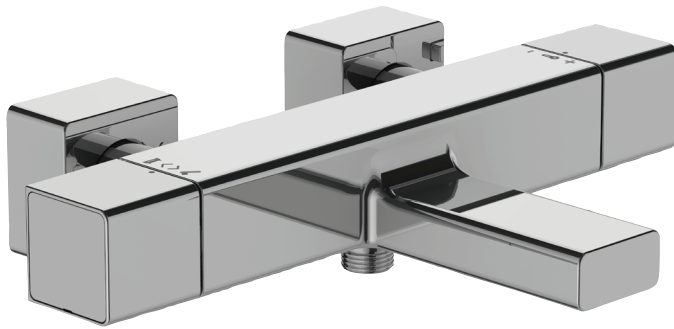


E9127



Collection: STRAYT

Finish*:



CP - Chrome

Main features:



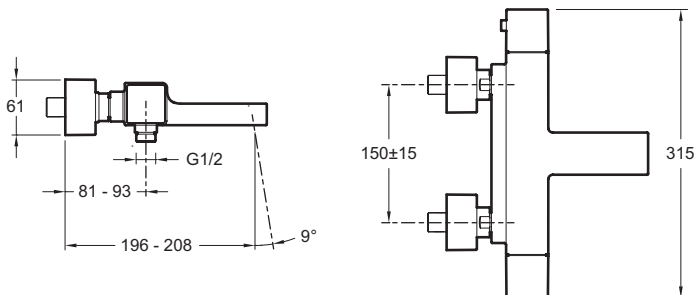
Features

- WEIGHT: 3.6 kg
- INSTALLATION TYPE: 2 holes
- SPOUT PROJECTION: 196-208
- MECHANISM: Expanding wax thermostatic cartridge
- WARM BODY: Yes
- DIVERTER: Automatic diverter built into flow handle
- Non-return valves on supplies
- MATERIAL: Metal
- TYPE: Single-lever
- CONNECTION: With connectors and wall escutcheons
- SAFETY STOP: 40°C
- NON-RETURN VALVE: Yes
- MECHANISM GUARANTEE: 5 years
- Connectors and wall escutcheons

Consumer benefits

- Diverter built into flow handle
- SAFETY: Safety stop at 40°C. Maximum temperature set at 50°C.
- Warm body
- Integral anti-scale aerator

Technical drawing



Product Specification: Thermostatic single-lever wall-mount bath/shower mixer. E9127. Collection: STRAYT. WEIGHT: 3.6 kg. MATERIAL: Metal. INSTALLATION TYPE: 2 holes. TYPE: Single-lever. SPOUT PROJECTION: 196-208. CONNECTION: With connectors and wall escutcheons. MECHANISM: Expanding wax thermostatic cartridge. SAFETY STOP: 40°C. WARM BODY: Yes. NON-RETURN VALVE: Yes. DIVERTER: Automatic diverter built into flow handle. MECHANISM GUARANTEE: 5 years. Non-return valves on supplies. Connectors and wall escutcheons.